

Decimating Digital Filter

The HSP43220 Decimating Digital Filter is a linear phase low pass decimation filter which is optimized for filtering narrow band signals in a broad spectrum of a signal processing applications. The HSP43220 offers a single chip solution to signal processing applications which have historically required several boards of ICs. This reduction in component count results in faster development times as well as reduction of hardware costs.

The HSP43220 is implemented as a two stage filter structure. As seen in the block diagram, the first stage is a high order decimation filter (HDF) which utilizes an efficient sample rate reduction technique to obtain decimation up to 1024 through a coarse low-pass filtering process. The HDF provides up to 96dB aliasing rejection in the signal pass band. The second stage consists of a finite impulse response (FIR) decimation filter structured as a transversal FIR filter with up to 512 symmetric taps which can implement filters with sharp transition regions. The FIR can perform further decimation by up to 16 if required while preserving the 96dB aliasing attenuation obtained by the HDF. The combined total decimation capability is 16,384.

The HSP43220 accepts 16-bit parallel data in 2's complement format at sampling rates up to 33 MSPS. It provides a 16-bit microprocessor compatible interface to simplify the task of programming and three-state outputs to allow the connection of several ICs to a common bus. The HSP43220 also provides the capability to bypass either the HDF or the FIR for additional flexibility.

Features

- Single Chip Narrow Band Filter with up to 96dB Attenuation
- DC to 33MHz Clock Rate
- 16-Bit 2's Complement Input
- 20-Bit Coefficients in FIR
- 24-Bit Extended Precision Output
- Programmable Decimation up to a Maximum of 16,384
- Standard 16-Bit Microprocessor Interface
- Filter Design Software Available DECIMATE™
- Up to 512 Taps

Applications

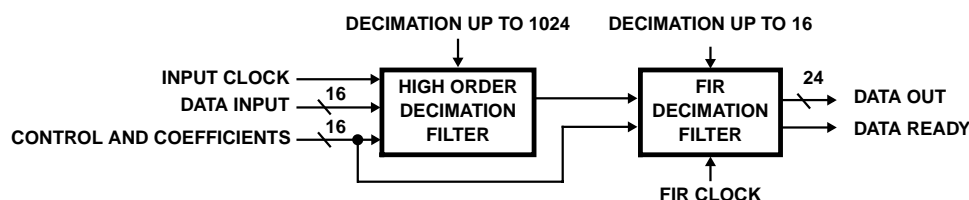
- Very Narrow Band Filters
- Zoom Spectral Analysis
- Channelized Receivers
- Large Sample Rate Converter

Ordering Information

PART NUMBER	TEMP. RANGE (°C)	PACKAGE	PKG. NO.
HSP43220VC-33	0 to 70	100 Ld MQFP	Q100.14x20
HSP43220JC-15	0 to 70	84 Ld PLCC	N84.1.15
HSP43220JC-25	0 to 0	84 Ld PLCC	N84.1.15
HSP43220JC-33	0 to 70	84 Ld PLCC	N84.1.15
HSP43220GC-25	0 to 70	84 Ld CPGA	G84.A
HSP43220GC-33	0 to 70	84 Ld CPGA	G84.A

DECIMATE Software Development Tool (This software tool may be downloaded from our Internet site: <http://www.intersil.com>)

Block Diagram

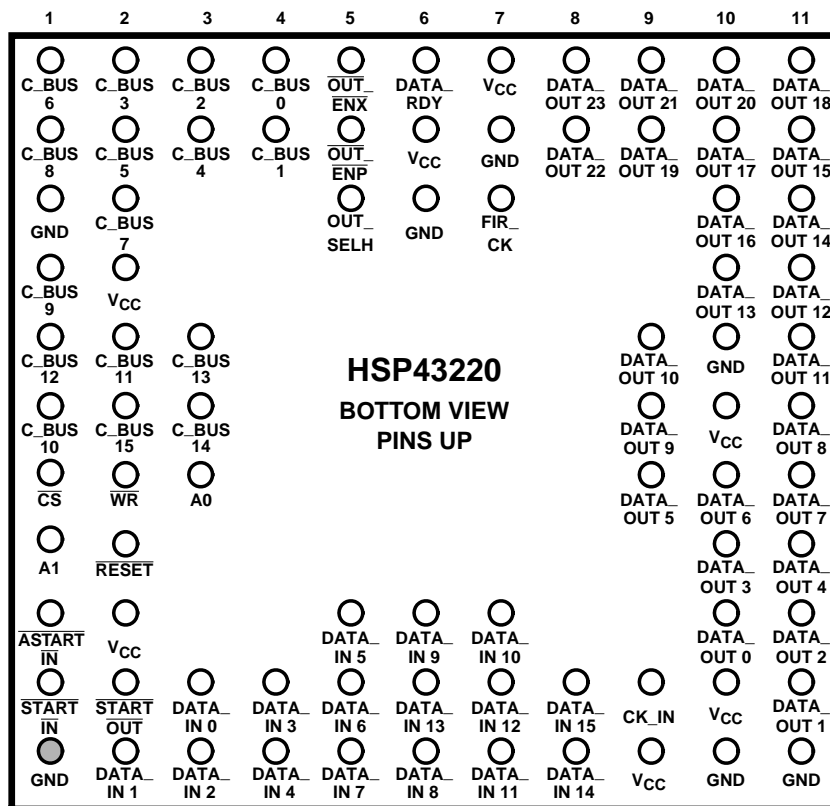


HSP43220

Pinouts

84 PIN GRID ARRAY (PGA)

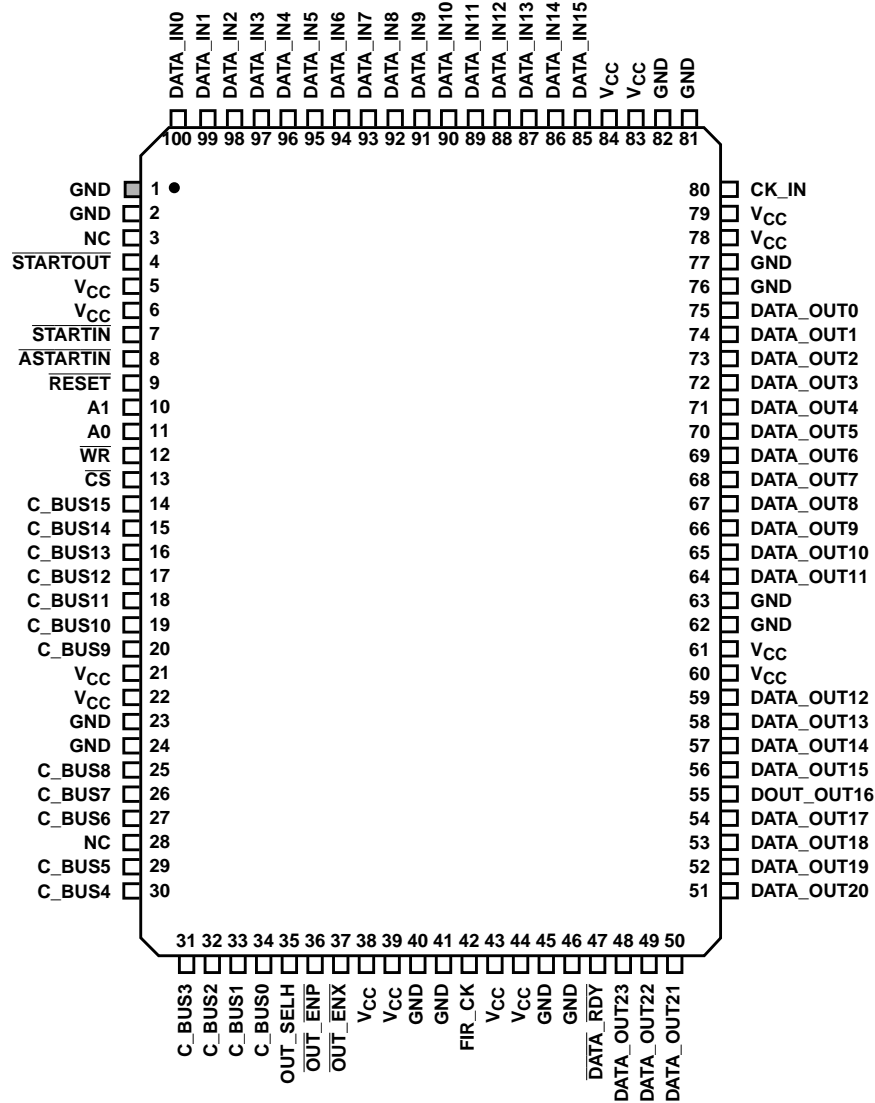
	1	2	3	4	5	6	7	8	9	10	11
A	GND	DATA_IN 1	DATA_IN 2	DATA_IN 4	DATA_IN 7	DATA_IN 8	DATA_IN 11	DATA_IN 14	V _{CC}	GND	GND
B	START_IN	START_OUT	DATA_IN 0	DATA_IN 3	DATA_IN 6	DATA_IN 13	DATA_IN 12	DATA_IN 15	CK_IN	V _{CC}	DATA_OUT 1
C	ASTART_IN	V _{CC}			DATA_IN 5	DATA_IN 9	DATA_IN 10			DATA_OUT 0	DATA_OUT 2
D	A1	RESET								DATA_OUT 3	DATA_OUT 4
E	CS	WR	A0						DATA_OUT 5	DATA_OUT 6	DATA_OUT 7
F	C_BUS 10	C_BUS 15	C_BUS 14						DATA_OUT 9	V _{CC}	DATA_OUT 8
G	C_BUS 12	C_BUS 11	C_BUS 13						DATA_OUT 10	GND	DATA_OUT 11
H	C_BUS 9	V _{CC}								DATA_OUT 13	DATA_OUT 12
J	GND	C_BUS 7			OUT_SELH	GND	FIRCK			DATA_OUT 16	DATA_OUT 14
K	C_BUS 8	C_BUS 5	C_BUS 4	C_BUS 1	OUT_ENP	V _{CC}	GND	DATA_OUT 22	DATA_OUT 19	DATA_OUT 17	DATA_OUT 15
L	C_BUS 6	C_BUS 3	C_BUS 2	C_BUS 0	OUT_ENX	DATA_RDY	V _{CC}	DATA_OUT 23	DATA_OUT 21	DATA_OUT 20	DATA_OUT 18



HSP43220

Pinouts (Continued)

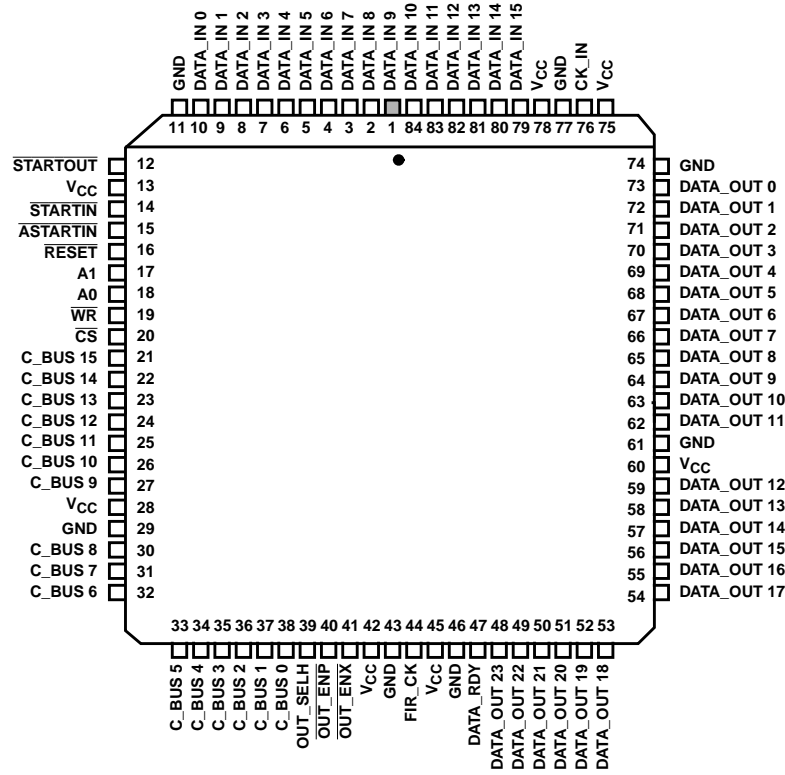
100 LEAD MQFP TOP VIEW



HSP43220

Pinouts (Continued)

84 PLASTIC LEADED CHIP CARRIER (PLCC)



Pin Description

NAME	TYPE	DESCRIPTION
VCC		The +5V power supply pins.
GND		The device ground.
CK_IN	I	Input Sample Clock. Operations in the HDF are synchronous with the rising edge of this clock signal. The maximum clock frequency is 33MHz. CK_IN is synchronous with FIR_CK and thus the two clocks may be tied together if required, or CK_IN can be divided down from FIR_CK. CK_IN is a CMOS level signal.
FIR_CK	I	Input Clock for the FIR Filter. This clock must be synchronous with CK_IN. Operations in the FIR are synchronous with the rising edge of this clock signal. The maximum clock frequency is 33MHz. FIR_CK is a CMOS level signal.
DATA_IN0-15	I	Input Data Bus. This bus is used to provide the 16-bit input data to the HSP43220. The data must be provided in a synchronous fashion, and is latched on the rising edge of the CK_IN signal. The data bus is in 2's complement fractional format. Bit 15 is the MSB.
C_BUS0-15	I	Control Input Bus. This input bus is used to load all the filter parameters. The pins \overline{WR} , \overline{CS} and A0, A1 are used to select the destination of the data on the Control bus and write the Control bus data into the appropriate register as selected by A0 and A1
DATA_OUT 0-23	O	Output Data Bus. This 24-Bit output port is used to provide the filtered result in 2's complement format. The upper 8 bits of the output, DATA_OUT16-23 will provide extension or growth bits depending on the state of OUT_SELH and whether the FIR has been put in bypass mode. Output bits DATA_OUT0-15 will provide bits 20 through 2-15 when the FIR is not bypassed and will provide the bits 2-16 through 2-31 when the FIR is in bypass mode.
DATA_RDY	O	An active high output strobe that is synchronous with FIR_CK that indicates that the result of the just completed FIR cycle is available on the data bus.
RESET	I	\overline{RESET} is an asynchronous signal which requires that the input clocks CK_IN and FIR_CK are active when \overline{RESET} is asserted. \overline{RESET} disables the clock divider and clears all of the internal data registers in the HDF. The FIR filter data path is not initialized. The control register bits that are cleared are F_BYN, H_STAGES, and H_DRATE. The F_DIS bit is set. In order to guarantee consistent operation of the part, the user must reset the DDF after power up.
\overline{WR}	I	Write Strobe. \overline{WR} is used for loading the internal registers of the HSP43220. When \overline{CS} and \overline{WR} are asserted, the rising edge of \overline{WR} will latch the C_BUS0-15 data into the register specified by A0 and A1.
\overline{CS}	I	Chip Select. The Chip Select input enables loading of the internal registers. When \overline{CS} and \overline{WR} are low, the A0 and A1 address lines are decoded to determine the destination of the data on C_BUS0-15. The rising edge of \overline{WR} then loads the appropriate register as specified by A0 and A1.

Pin Description (Continued)

NAME	TYPE	DESCRIPTION
A0, A1	I	Control Register Address. These lines are decoded to determine which control register is the destination for the data on C_BUS0-15. Register loading is controlled by the A0 and A1, \overline{WR} and \overline{CS} inputs.
$\overline{ASTARTIN}$	I	$\overline{ASTARTIN}$ is an asynchronous signal which is sampled on the rising edge of CK_IN. It is used to put the DDF in operational mode. $\overline{ASTARTIN}$ is internally synchronized to CK_IN and is used to generate $\overline{STARTOUT}$.
$\overline{STARTOUT}$	O	$\overline{STARTOUT}$ is a pulse generated from the internally synchronized version of $\overline{ASTARTIN}$. It is provided as an output for use in multi-chip configurations to synchronously start multiple HSP43220's. The width of $\overline{STARTOUT}$ is equal to the period of CK_IN.
STARTIN	I	STARTIN is a Synchronous Input. A high to low transition of this signal is required to start the part. $\overline{STARTIN}$ is sampled on the rising edge of CK_IN. This synchronous signal can be used to start single or multiple HSP43220's.
OUT_SELH	I	Output Select. The OUT_SELH input controls which bits are provided at output pins DATA_OUT16-23. A HIGH on this control line selects bits 28 through 21 from the accumulator output. A LOW on this control line selects bits 2-16 through 2-23 from the accumulator output. Processing is not interrupted by this pin.
$\overline{OUT_ENP}$	I	Output Enable. The $\overline{OUT_ENP}$ input controls the state of the lower 16 bits of the output data bus, DATA_OUT0-15. A LOW on this control line enables the lower 16 bits of the output bus. When $\overline{OUT_ENP}$ is HIGH, the output drivers are in the high impedance state. Processing is not interrupted by this pin.
$\overline{OUT_ENX}$	I	Output Enable. The $\overline{OUT_ENX}$ input controls the state of the upper 8 bits of the output data bus, DATA_OUT16-23. A LOW on this control line enables the upper 8 bits of the output bus. When $\overline{OUT_ENX}$ is HIGH, the output drivers are in the high impedance state. Processing is not interrupted by this pin.

The HDF

The first filter section is called the High Order Decimation Filter (HDF) and is optimized to perform decimation by large factors. It implements a low pass filter using only adders and delay elements instead of a large number of multiplier/ accumulators that would be required using a standard FIR filter.

The HDF is divided into 4 sections: the HDF filter section, the clock divider, the control register logic and the start logic (Figure 1).

Data Shifter

After being latched into the Input Register the data enters the Data Shifter. The data is positioned at the output of the shifter to prevent errors due to overflow occurring at the output of the HDF. The number of bits to shift is controlled by H_GROWTH.

Integrator Section

The data from the shifter goes to the Integrator section. This is a cascade of 5 integrator (or accumulator) stages, which implement a low pass filter. Each accumulator is implemented as an adder followed by a register in the feed forward path. The integrator is clocked by the sample clock, CK_IN as shown in Figure 2. The bit width of each integrator stage goes from 66 bits at the first integrator down to 26 bits at the output of the fifth integrator. Bit truncation is performed at each integrator stage because the data in the integrator stages is being accumulated and thus is growing, therefore the lower bits become insignificant, and can be truncated without losing significant data.

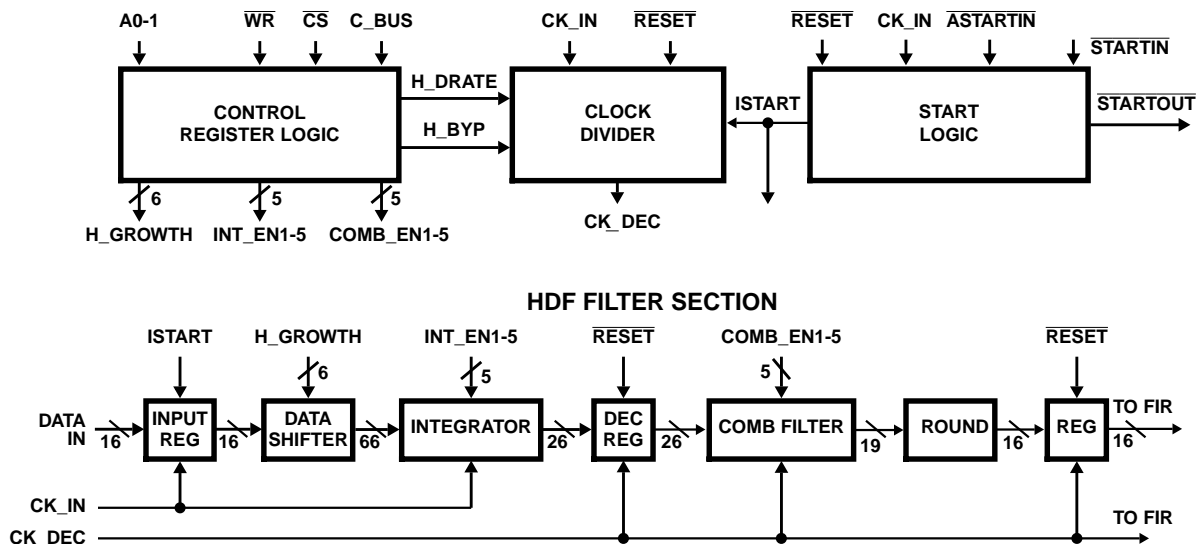


FIGURE 1. HIGH ORDER DECIMATION FILTER FIGURE

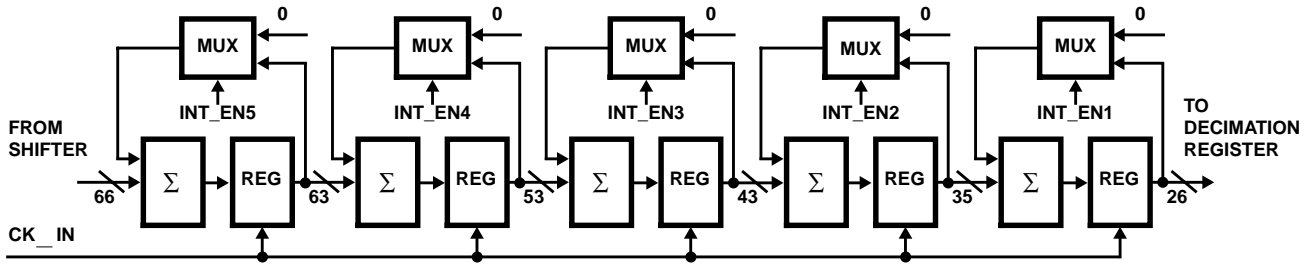


FIGURE 2. INTEGRATOR

There are three signals that control the integrator section; they are H_STAGES, H_BYP and RESET. In Figure 2 these control signals have been decoded and are labelled INT_EN1 - INT_EN5. The order of the filter is loaded via the control bus and is called H_STAGES. H_STAGES is decoded to provide the enables for each integrator stage. When a given integrator stage is selected, the feedback path is enabled and the integrator accumulates the current data sample with the previous sum. The integrator section can be put in bypass mode by the H_BYP bit. When H_BYP or RESET is asserted, the feedback paths in all integrator stages are cleared.

Decimation Register

The output of the Integrator section is latched into the Decimation Register by CK_DEC. The output of the Decimation register is cleared when RESET is asserted. The HDF decimation rate = H_DRATE + 1, which is defined as H_DEC for convenience.

Comb Filter Section

The output of the Decimation Register is passed to the Comb Filter Section. The Comb section consists of 5 cascaded Comb filters or differentiators. Each Comb filter section calculates the difference between the current and previous integrator output. Each Comb filter consists of a register which is clocked by CK_DEC, followed by an subtractor, where the subtractor calculates the difference between the input and output of the register. Bit truncations are done at each stage as shown in Figure 3. The first stage bit width is 26 bits and the output of the fifth stage is 19 bits.

There are three signals that control the Comb Filter; H_STAGES, H_BYP and RESET. In Figure 3 these control signals are decoded as COMB_EN1 - COMB_EN5. The order of the Comb filter is controlled by H_STAGES, which is programmed over the control bus. H_BYP is used to put the comb section in bypass mode. RESET causes the register output in each Comb stage to be cleared. The H_BYP and RESET control pins, when asserted force the output of all registers to zero so data is passed through the subtractor unaltered. When the H_STAGES control bits enable a given stage the output of the register is subtracted from the input.

It is important to note that the Comb filter section has a speed limitation. The Input sampling rate divided by the decimation factor in the HDF (CK_IN/H_DEC) should not exceed 4MHz. Violating this condition causes the output of the filter to be incorrect. When the HDF is put in bypass mode this limitation does not apply. Equation 1 describes the relationship between F_TAPS, F_DRATE, H_DRATE, CK_IN and FIR_CK.

Rounder

The filter accuracy is limited by the 16-bit data input. To maintain the maximum accuracy, the output of the comb is rounded to 16 bits.

The Rounder performs a symmetric round of the 19-bit output of the last Comb stage. Symmetric rounding is done to prevent the synthesis of a 0Hz spectral component by the rounding process and thus causing a reduction in spurious free dynamic range. Saturation logic is also provided to prevent roll over from the largest positive value to the most negative value after rounding. The output of the last comb filter stage in the HDF section has a 16-bit integer portion with a 3-bit fractional part in 2's complement format.

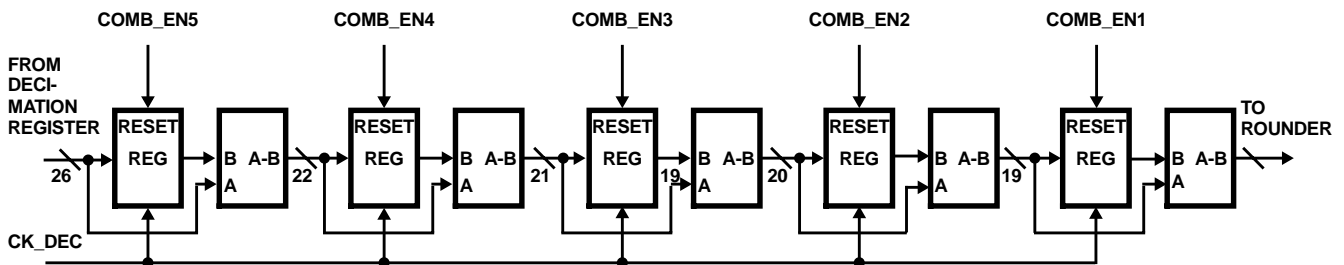


FIGURE 3. COMB FILTER

The rounding algorithm is as follows:

POSITIVE NUMBERS	
Fractional Portion Greater Than or Equal to 0.5	Round Up
Fractional Portion Less Than 0.5	Truncate
NEGATIVE NUMBERS	
Fractional Portion Less Than or Equal to 0.5	Round Up
Fractional Portion Greater Than 0.5	Truncate

The output of the rounder is latched into the HDF output register with CK_DEC. CK_DEC is generated by the Clock Divider section. The output of the register is cleared when RESET is asserted.

Clock Divider and Control Logic

The clock divider divides CK_IN by the decimation factor H_{DEC} to produce CK_DEC. CK_DEC clocks the Decimation Register, Comb Filter section, HDF output register. In the FIR filter CK_DEC is used to indicate that a new data sample is available for processing. The clock generator is cleared by RESET and is not enabled until the DDF is started by an internal start signal (see Start Logic).

The Control Register Logic enables the updating of the Control registers which contain all of the filter parameter data. When WR and CS are asserted, the control register addressed by bits A0 and A1 is loaded with the data on the C_BUS.

DDF Control Registers

F_Register (A1 = 0, A0 = 0)

F_OAD	F_BYP	F_ESYM	F_DRATE				F_TAPS								
FA0	FB0	ES0	D3	D2	D1	D0	T8	T7	T6	T5	T4	T3	T2	T1	T0
15	14	13	12	11	10	9	8	7	6	5	4	3	2	1	0

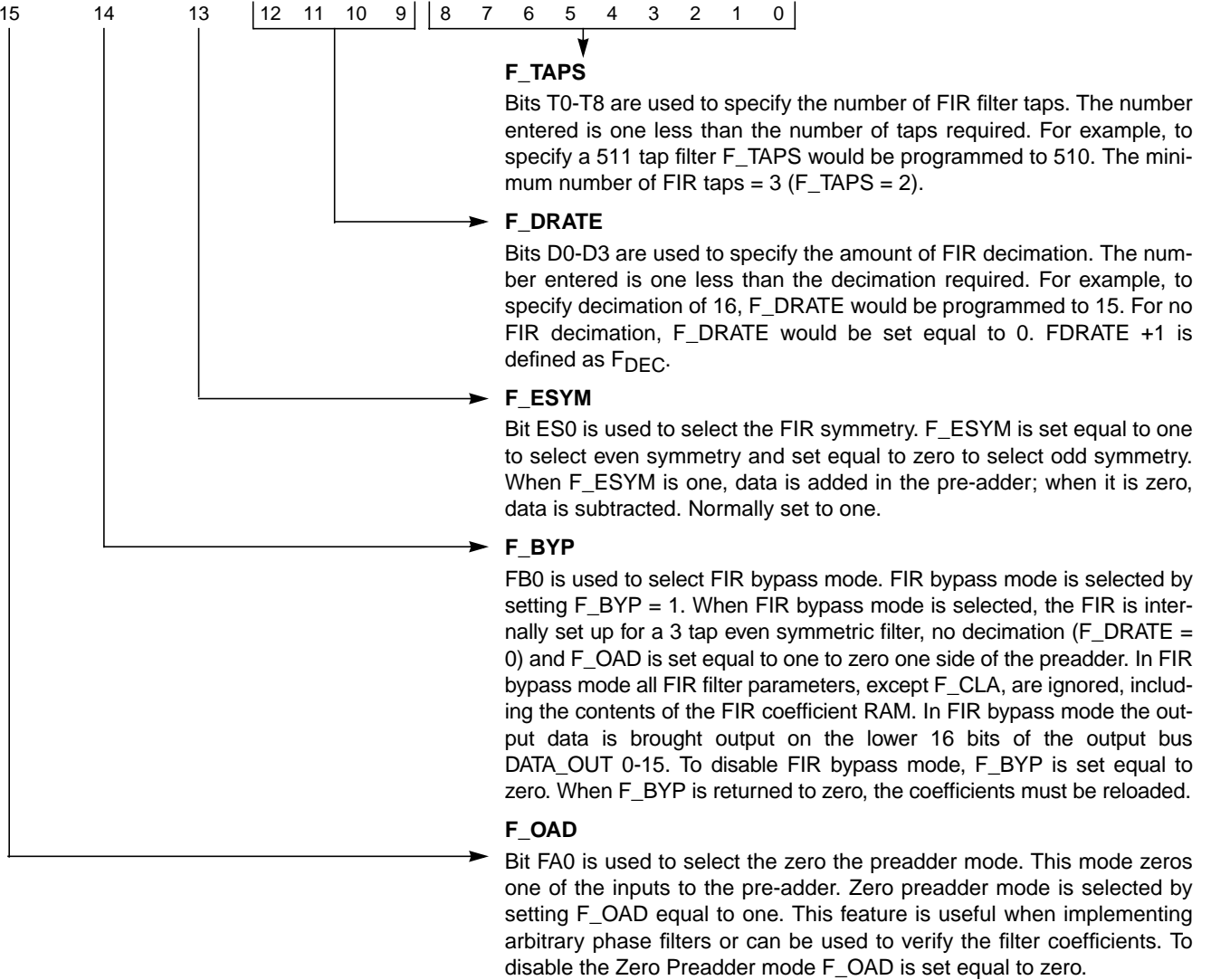


FIGURE 4.

DDF Control Registers (Continued)

FC_Register (A1 = 0, A0 = 1)

F_CF																			
C19	C18	C17	C16	C15	C14	C13	C12	C11	C10	C9	C8	C7	C6	C5	C4				
X	X	X	X	X	X	X	X	X	X	X	X	C3	C2	C1	C0				
15	14	13	12	11	10	9	8	7	6	5	4	3	2	1	0				

F_CF

Bits C0-C19 represent the coefficient data, where C19 is the MSB. Two writes are required to write each coefficient which is 2's complement fractional format. The first write loads C19 through C4; C3 through C0 are loaded on the second write cycle. As the coefficients are written into this register they are formatted into a 20-bit coefficient and written into the Coefficient RAM sequentially starting with address location zero. The coefficients must be loaded sequentially, with the center tap being the last coefficient to be loaded. See coefficient RAM, below.

FIGURE 5.

H_Register 1 (A1 = 1, A0 = 0)

RESERVED			F_DIS	F_CLA	H_BYN	H_DRATE									
			FD0	FC0	HB0	R9	R8	R7	R6	R5	R4	R3	R2	R1	R0
15	14	13	12	11	10	9	8	7	6	5	4	3	2	1	0

H_DRATE Bits

R0-R9 are used to select the amount of decimation in the HDF. The amount of decimation selected is programmed as the required decimation minus one; for instance to select decimation of 1024 H_DRATE is set equal to 1023. HDRATE + 1 is defined as H_{DEC}.

H_BYN

Bit HB0 is used to select HDF bypass mode. This mode is selected by setting H_BYN = 1. When this mode is selected the input data passes through the HDF unfiltered. Internally H_STAGES and H_DRATE are both set to zero and H_GROWTH is set to 50. H_REGISTER 2 must be reloaded when H_BYN is returned to 0. To disable HDF bypass mode H_BYN = 0. The relationship between CK_IN and FIR_CK in this and all other modes is defined by Equation 1.

F_CLA

Bit FC0 is used to select the clear accumulator mode in the FIR. This mode is enabled by setting F_CLA = 1 and is disabled by setting F_CLA = 0. In normal operation this bit should be set equal to zero. This mode zeros the feedback path in the accumulator of the multiplier/accumulator (MAC). It also allows the multiplier output to be clocked off the chip by FIR_CK, thus DATA_RDY has no meaning in this mode. This mode can be used in conjunction with the F_OAD bit to read out the FIR coefficients from the coefficient RAM.

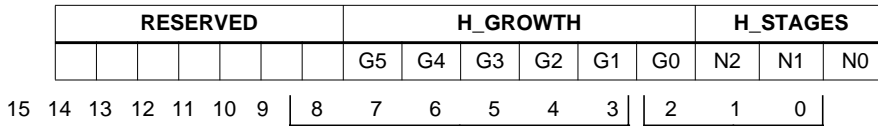
F_DIS

Bit FD0 is used to select the FIR disable mode. This feature enables the FIR parameters to be changed. This feature is selected by setting F_DIS = 1. This mode terminates the current FIR cycle. While this feature is selected, the HDF continues to process data and write it into the FIR data RAM. When the FIR re-programming is completed, the FIR can be re-enabled either by clearing F_DIS, or by asserting one of the start inputs, which automatically clears F_DIS.

FIGURE 6.

DDF Control Registers (Continued)

H_Register 2 (A1 = 1, A0 = 1)



H_STAGES

Bits N0-N2 are used to select the number of stages or order of the HDF filter. The number that is programmed in is equal to the required number of stages. For a 5th order filter, H_STAGES would be set equal to 5.

H_GROWTH

Bits G0-G5 are used to select the proper amount of growth bits. H_GROWTH is calculated using the following equation:

$$H_GROWTH = 50 - \text{CEILING} \{ H_STAGES \times \log (H_{DEC}) / \log(2) \}$$

where the CEILING { } means use the next largest integer of the result of the value in brackets and log is the log to the base 10.

The value of H_GROWTH represents the position of the LSB on the output of the data shifter.

FIGURE 7.

Start Logic

The Start Logic generates a start signal that is used internally to synchronously start the DDF. If $\overline{ASTARTIN}$ is asserted ($\overline{STARTIN}$ must be tied high) the Start Logic synchronizes it to CK_IN by double latching the signal and generating the signal $\overline{STARTOUT}$, which is shown in Figure 8. The $\overline{STARTOUT}$ signal is then used to synchronously start other DDFs in a multi-chip configuration (the $\overline{STARTOUT}$ signal of the first DDF would be tied to the $\overline{STARTIN}$ of the second DDF). The NAND gate shown in Figure 8 then passes this synchronized signal to be used on chip to provide a synchronous start. Once started, the chip requires a \overline{RESET} to halt operation.

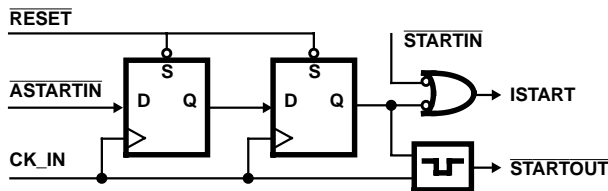


FIGURE 8. START LOGIC

When $\overline{STARTIN}$ is asserted ($\overline{ASTARTIN}$ must be tied high) the NAND gate passes $\overline{STARTIN}$ which is used to provide the internal start, ISTART, for the DDF. When \overline{RESET} is asserted the internal start signal is held inactive, thus it is necessary to assert either $\overline{ASTARTIN}$ or $\overline{STARTIN}$ in order to start the DDF. The timing of the first valid DATA_IN with respect to $\overline{STARTIN}$ is shown in the Timing Waveforms.

In using $\overline{ASTARTIN}$ or $\overline{STARTIN}$ a high to low transition must be detected by the rising edge of CK_IN, therefore these signals must have been high for more than one CK_IN cycle and then taken low.

The FIR Section

The second filter in the top level block diagram is a Finite Impulse Response (FIR) filter which performs the final shaping of the signal spectrum and suppresses the aliasing components in the transition band of the HDF. This enables the DDF to implement filters with narrow pass bands and sharp transition bands.

The FIR is implemented in a transversal structure using a single multiplier/accumulator (MAC) and RAM for storage of the data and filter coefficients as shown in Figure 9. The FIR can implement up to 512 symmetric taps and decimation up to 16.

The FIR is divided into 2 sections: the FIR filter section and the FIR control logic.

Coefficient RAM

The Coefficient RAM stores the coefficients for the current FIR filter being implemented. The coefficients are loaded into the Coefficient RAM over the control bus (C_BUS). The coefficients are written into the Coefficient RAM sequentially, starting at location zero. It is only necessary to write one half of the coefficients when symmetric filters are being implemented, where the last coefficient to be written in is the center tap.

The coefficients are loaded into address 01 in two writes. The first write loads the upper 16 bits of the 20-bit coefficient, C4 through C19. The second write loads the lower 4 bits of the coefficient, C0 through C3, where C19 is the MSB. The two 16-bit writes are then formatted into the 20-bit coefficient that is then loaded into the Coefficient RAM starting at RAM address location zero, where the coefficient at this location is the outer tap (or the first coefficient value).

To reload coefficients, the Coefficient RAM Address pointer must be reset to location zero so that the coefficients will be loaded in the order the FIR filter expects. There are two methods that can be used to reset the Coefficient RAM address pointer. The first is to assert $\overline{\text{RESET}}$, which automatically resets the pointer, but also clears the HDF and alters some of the control register bits. ($\overline{\text{RESET}}$ does not change any of the coefficient values.) The second method is to set the F_DIS bit in control register H_REGISTER1. This control bit allows any of the FIR control register bits to be re-programmed, but does not automatically modify any control registers. When the programming is completed, the FIR is re-started by clearing the F_DIS bit or by asserting one of the start inputs ($\overline{\text{ASTARTIN}}$ or $\overline{\text{STARTIN}}$). The F_DIS bit allows the filter parameters to be changed more quickly and is thus the recommended reprogramming method.

Data RAM

The Data RAM stores the data needed for the filter calculation. The format of the data is:

$$2^0 \cdot 2^{-1} 2^{-2} 2^{-3} 2^{-4} 2^{-5} 2^{-6} 2^{-7} 2^{-8} 2^{-9} 2^{-10} 2^{-11} 2^{-12} 2^{-13} 2^{-14} 2^{-15}$$

where the sign bit is in the 2^0 location.

The 16-bit output of the HDF Output Register is written into the Data Ram on the rising edge of CK_DEC.

$\overline{\text{RESET}}$ initializes the write pointer to the data RAM. After a $\overline{\text{RESET}}$ occurs, the output of the FIR will not be valid until the number of new data samples written to the Data RAM equals TAPS.

The filter always operates on the most current sample and the taps-1 previous samples. Thus if the F_DIS bit is set, data continues to be written into the data RAM coming from the HDF section. When the FIR is enabled again the filter will be operating on the most current data samples and thus another transient response will not occur.

The maximum throughput of the FIR filter is limited by the use of a single Multiplier/Accumulator (MAC). The data output from the HDF being clocked into the FIR filter by CK_DEC must not be at a rate that causes an erroneous result being calculated because data is being overwritten.

The equation shown below describes the relationship between, FIR_CK, CK_DEC, the number of taps that can be implemented in the FIR, the decimation rate in the HDF and the decimation rate in the FIR. (In the Design Considerations

section of the OPERATIONAL SECTION there is a chart that shows the tradeoffs between these parameters.)

$$\text{FIR_CK} \geq \frac{\text{CK_IN}[(\text{TAPS}/2) + 4 + \text{F_DEC}]}{\text{H_DEC} \text{F_DEC}} \quad (\text{EQ. 1})$$

This equation expresses the minimum FIR_CK. The minimum FIR_CK is the smallest integer multiple of CK_IN that satisfies Equation 1. In addition, the TSK specification must be met (see AC Electrical Specifications). F_DEC is the decimation rate in the FIR ($\text{F_DEC} = \text{F_DRATE} + 1$), where TAPS = the number of taps in the FIR for even length filters and equals the number of taps+1 for odd length filters.

Solving the above equation for the maximum number of taps:

$$\text{TAPS} = 2 \left(\frac{\text{FIR_CK} \text{H_DEC} \text{F_DEC}}{\text{CK_IN}} - \text{F_DEC} - 4 \right) \quad (\text{EQ. 2})$$

In using this equation, it must be kept in mind that CK_IN/H_DEC must be less than or equal to 4MHz (unless the HDF is in bypass mode in which case this limitation in the HDF does not apply). In the OPERATIONAL SECTION under the Design Considerations, there is a table that shows the tradeoffs of these parameters. In addition, Intersil provides a software package called DECIMATE™ which designs the DDF filter from System specifications.

The registered outputs of the data RAM are added or subtracted in the 17-bit pre-adder. The F_OAD control bit allows zeros to be input into one side of the pre-adder. This provides the capability to implement non-symmetric filters.

The selection of adding the register outputs for an even symmetric filter or for subtracting the register outputs for odd symmetric filter is provided by the control bit F_ESYM, which is programmed over the control bus. When subtraction is selected, the new data is subtracted from the old data. The 17-bit output of the adder forms one input of the multiplier/accumulator.

A control bit F_CLA provides the capability to clear the feedback path in the accumulator such that multiplier output will not be accumulated, but will instead flow directly to the output register. The bit weightings of the data and coefficients as they are processed in the FIR is shown below.

$$\text{Input Data (from HDF)} \quad 2^0 \cdot 2^{-1} \dots 2^{-15}$$

$$\text{Pre-adder Output} \quad 2^1 2^0 \cdot 2^{-1} \dots 2^{-15}$$

$$\text{Coefficient} \quad 2^0 \cdot 2^{-1} \dots 2^{-19}$$

$$\text{Accumulator} \quad 2^8 \dots 2^0 \cdot 2^1 \dots 2^{-34}$$

FIR Output

The 40 most significant bits of the accumulator are latched into the output register. The lower 3 bits are not brought to the output. The 40 bits out of the output register are selected to be output by a pair of multiplexers. This register is clocked by FIR_CK (see Figure 9).

There are two multiplexers that route 24 of the 40 output bits from the output register to the output pins. The first multiplexer selects the output register bits that will be routed to output pins DATA_OUT16-23 and the second multiplexer selects the output register bits that will be routed to output pins DATA_OUT0-15.

The multiplexers are controlled by the control signal F_BYP and the OUT_SELH pin. F_BYP and OUT_SELH both control the first multiplexer that selects the upper 8 bits of the output bus, DATA_OUT16-23. F_BYP controls the second multiplexer that selects the lower 16 bits of the

output bus, DATA_OUT0-15. The output formatter is shown in detail in Figure 10.

FIR Control Logic

The DATA_RDY strobe indicates that new data is available on the output of the FIR. The rising edge of DATA_RDY can be used to load the output data into an external register or RAM.

Data Format

The DDF maintains 16 bits of accuracy in both the HDF and FIR filter stages. The data formats and bit weightings are shown in Figure 11.

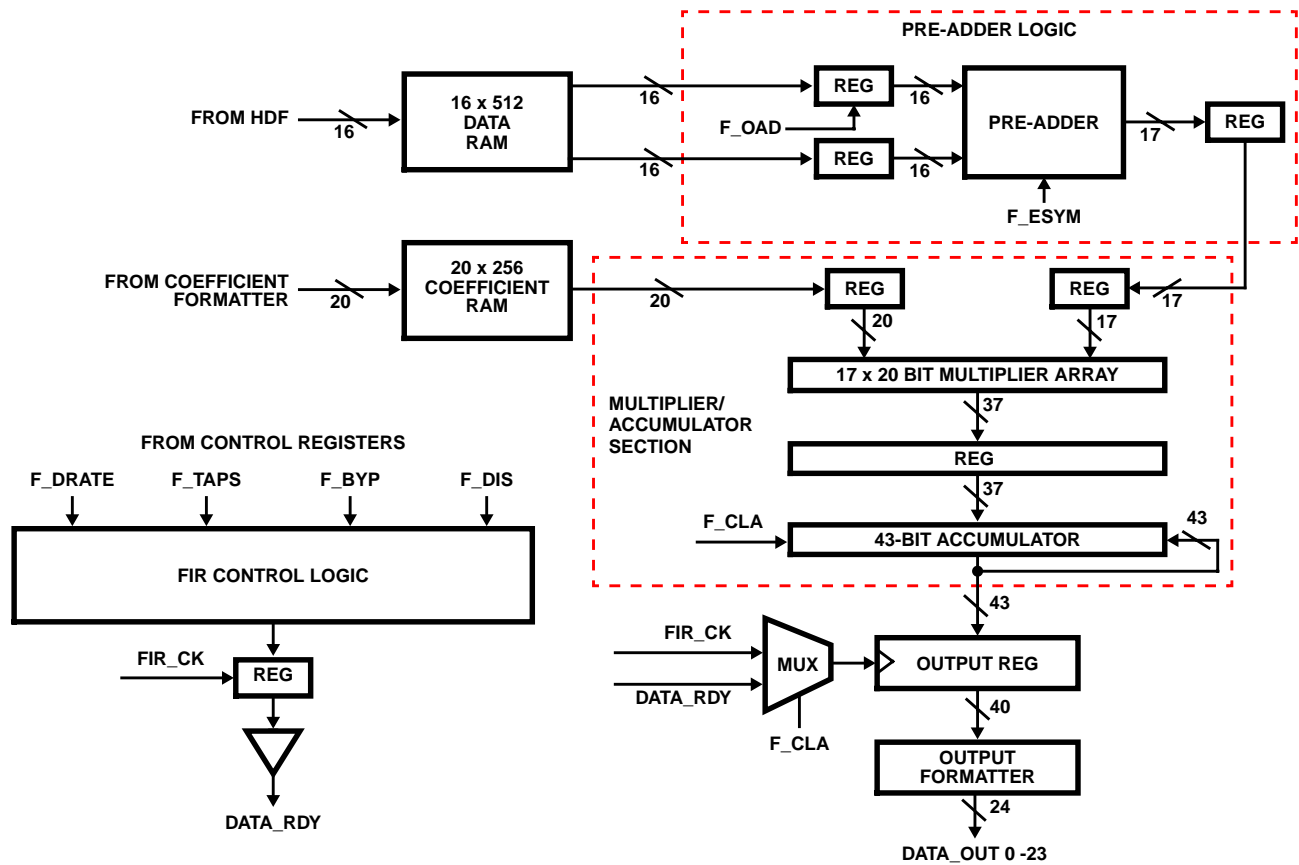


FIGURE 9. FIR FILTER

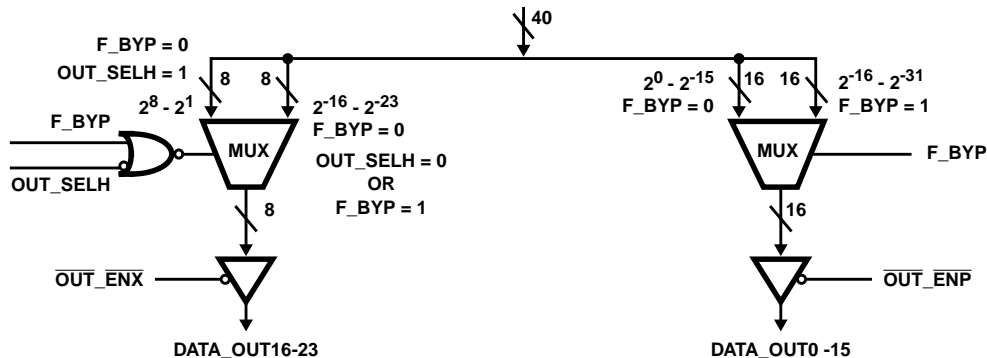


FIGURE 10. FIR OUTPUT FORMATTER

INPUT DATA FORMAT

Fractional Two's Complement Input

15	14	13	12	11	10	9	8	7	6	5	4	3	2	1	0
2^{-0}	2^{-1}	2^{-2}	2^{-3}	2^{-4}	2^{-5}	2^{-6}	2^{-7}	2^{-8}	2^{-9}	2^{-10}	2^{-11}	2^{-12}	2^{-13}	2^{-14}	2^{-15}

FIR COEFFICIENT FORMAT

Fractional Two's Complement Input

19	18	17	16	15	14	13	12	11	10	9	8	7	6	5	4	3	2	1	0
2^{-0}	2^{-1}	2^{-2}	2^{-3}	2^{-4}	2^{-5}	2^{-6}	2^{-7}	2^{-8}	2^{-9}	2^{-10}	2^{-11}	2^{-12}	2^{-13}	2^{-14}	2^{-15}	2^{-16}	2^{-17}	2^{-18}	2^{-19}

OUTPUT DATA FORMAT

Fractional Two's Complement Output

FOR: OUT_SELH = 1, F_BYP = 0

23	22	21	20	19	18	17	16	15	14	13	12	11	10	9	8	7	6	5	4	3	2	1	0
2^{-8}	2^{-7}	2^{-6}	2^{-5}	2^{-4}	2^{-3}	2^{-2}	2^{-1}	2^0	2^{-1}	2^{-2}	2^{-3}	2^{-4}	2^{-5}	2^{-6}	2^{-7}	2^{-8}	2^{-9}	2^{-10}	2^{-11}	2^{-12}	2^{-13}	2^{-14}	2^{-15}

FOR: OUT_SELH = 0, F_BYP = 0

15	14	13	12	11	10	9	8	7	6	5	4	3	2	1	0	23	22	21	20	19	18	17	16
2^{-0}	2^{-1}	2^{-2}	2^{-3}	2^{-4}	2^{-5}	2^{-6}	2^{-7}	2^{-8}	2^{-9}	2^{-10}	2^{-11}	2^{-12}	2^{-13}	2^{-14}	2^{-15}	2^{-16}	2^{-17}	2^{-18}	2^{-19}	2^{-20}	2^{-21}	2^{-22}	2^{-23}

FOR: OUT_SELH = X, F_BYP = 1

23	22	21	20	19	18	17	16	15	14	13	12	11	10	9	8	7	6	5	4	3	2	1	0
2^{-16}	2^{-17}	2^{-18}	2^{-19}	2^{-20}	2^{-21}	2^{-22}	2^{-23}	2^{-16}	2^{-17}	2^{-18}	2^{-19}	2^{-20}	2^{-21}	2^{-22}	2^{-23}	2^{-24}	2^{-25}	2^{-26}	2^{-27}	2^{-28}	2^{-29}	2^{-30}	2^{-31}

FIGURE 11.

Operational Section

Start Configurations

The scenario to put the DDF into operational mode is: reset the DDF by asserting the RESET input, configure the DDF over the control bus, and apply a start signal, either by ASTARTIN or STARTIN. Until the DDF is put in operational mode with a start pulse, the DDF ignores all data inputs.

To use the asynchronous start, an asynchronous active low pulse is applied to the ASTARTIN input. ASTARTIN is internally synchronized to the sample clock, CK_IN, and generates STARTOUT. This signal is also used internally when the asynchronous mode is selected. It puts the DDF in operational mode and allows the DDF to begin accepting data. When the ASTARTIN input is being used, the STARTIN input must be tied high to ensure proper operation.

To start the DDF synchronously, the STARTIN is asserted with a active low pulse that has been externally synchronized to CK_IN. Internally the DDF then uses this start pulse to put the DDF in operate mode and start accepting data inputs. When STARTIN is used to start the DDF the ASTARTIN input must be tied high to prevent false starts.

Multi-Chip Start Configurations

Since there are two methods to start up the DDF, there are also two configurations that can be used to start up multiple chips.

The first method is shown in Figure 12. The timing of the STARTOUT circuitry starts the second DDF on the same clock as the first. If more DDFs are also to be started synchronously, STARTOUT is connected to their STARTIN's.

The second method to start up DDFs in a multiple chip configuration is to use the synchronous start scenario.

The STARTIN input is wired to all the chips in the chain, and is asserted by a active low synchronous pulse that has been externally synchronized to CK_IN. In this way all DDFs are synchronously started. The ASTARTIN input on all the chips is tied high to prevent false starts. The STARTOUT outputs are all left unconnected. This configuration is illustrated in Figure 13.

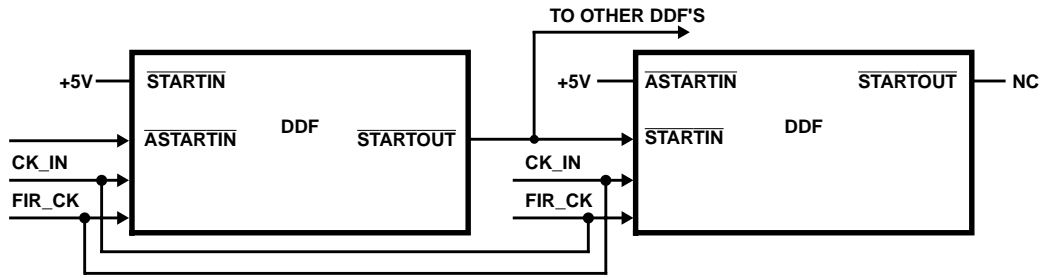


FIGURE 12. ASYNCHRONOUS START UP

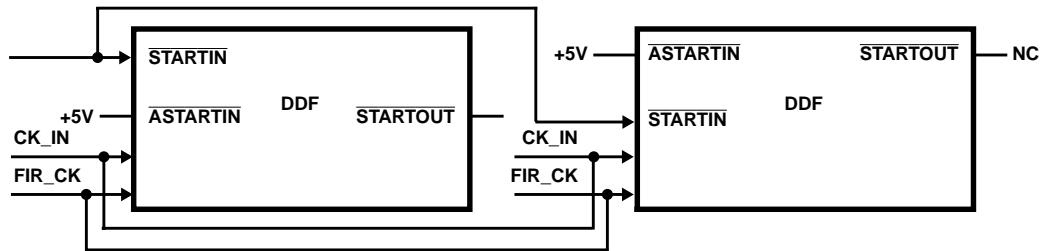


FIGURE 13. SYNCHRONOUS START UP

Chip Set Application

The HSP43220 is ideally suited for narrow band filtering in Communications, Instrumentation and Signal Processing applications. The HSP43220 provides a fully integrated solution to high order decimation filtering.

The combination of the HSP43220 and the HSP45116 (which is a NCOM Numerically Controlled Oscillator/ Modulator) provides a complete solution to digital receivers. The diagram in Figure 14 illustrates this concept.

The HSP45116 down converts the signal of interest to baseband, generating a real component and an imaginary component. A HSP43220 then performs low pass filtering and reduces the sampling rate of each of the signals.

The system scenario for the use of the DDF involves a narrow band signal that has been over-sampled. The signal

is over-sampled in order to capture a wide frequency band containing many narrow band signals. The NCOM is "tuned" to the frequency of the signal of interest and performs a complex down conversion to baseband of this signal, which results in a complex signal centered at baseband. A pair of DDFs then low pass filters the NCOM output, extracting the signal of interest.

Design Trade-Off Considerations

Equation 2 in the Functional Description section expresses the relationship between the number of TAPS which can be implemented in the FIR as a function of CK_IN, FIR_CK, H_{DEC}, F_{DEC}. Table 1 provides a tradeoff of these parameters. For a given speed grade and the ratio of the clocks, and assuming minimum decimation in the HDF, the number of FIR taps that can be implemented is given in Equation 2.

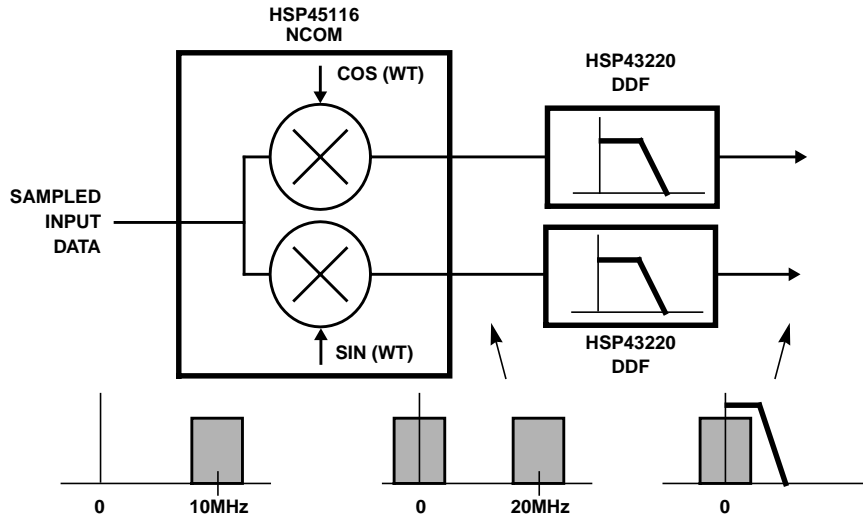


FIGURE 14. DIGITAL CHANNELIZER

TABLE 1. DESIGN TRADE OFF FOR MINIMUM H_{DEC}

SPEED GRADE (MHz)	FIR_CK CK_IN	MIN H _{DEC}	TAPS				
			F _{DEC} = 1	F _{DEC} = 2	F _{DEC} = 4	F _{DEC} = 8	F _{DEC} = 16
33	1	9	8	24	56	120	248
25.6	1	7	4	16	40	88	184
15	1	4	(Note)	4	16	40	88
33	2	5	10	28	64	136	280
25.6	2	4	6	20	48	104	216
15	2	2	(Note)	4	16	40	88
33	4	3	14	36	80	168	344
25.6	4	2	6	20	48	104	216
15	4	1	(Note)	4	16	40	88
33	8	2	22	52	112	232	472
25.6	8	1	6	20	48	104	216
15	8	1	6	20	48	104	216

NOTE: Filter not realizable.

DECIMATE

Intersil provides a development system which assists the design engineer to utilizing this filter. The DECIMATE software package provides the user with both filter design and simulation environments for filter evaluation and design. These tools are integrated within one standard DSP CAD environment, The Athena Group's Monarch Professional DSP Software package.

The software package is designed specifically for the DDF. It provides all the filter design software for this proprietary architecture. It provides a user-friendly menu driven interface to allow the user to input system level filter requirements. It provides the frequency response curves and a data flow simulation of the specified filter design (Figure 15). It also creates all the information necessary to program the DDF, including a PROM file for programming the control registers.

This software package runs on an IBM™ PC™, XT™, AT™, PS/2™ computer or 100% compatible with the following configuration:

- 640K RAM
- 5.25" or 3.5" Floppy drive
- hard disk
- math co-processor
- MS/PC-DOS 2.0 or higher
- CGA, MCGA, EGA, VGA and
- Hercules graphics adapters

For more information, see the description of DECIMATE in the Development Tools Section of this data book.

HSP43220 DDF FILTER SPECIFICATION

```

Filter File      : vectors\example.DDF
Input Sample Rate: 33 MHz   Design Mode      : AUTO
Output Rate     : 100 kHz  Generate Report  : YES
Passband        : 20 kHz   Display Response : LOG
Transition Band : 7.5 kHz  Save Freq Responses: YES
Passband Atten  : 0.5 dB   Save FIR Response : YES
Stopband Atten  : 80 dB
    
```

FIR Type : PRECOMP

```

HDF Order      : 4      FIR Input Rate : 300 kHz
HDF Decimation : 110   FIR Clock (min) : 33 MHz
HDF Scale Factor : 0.54542  FIR Order      : 135
                                   FIR Decimation     : 3
    
```

(C) Harris Semiconductor 1990

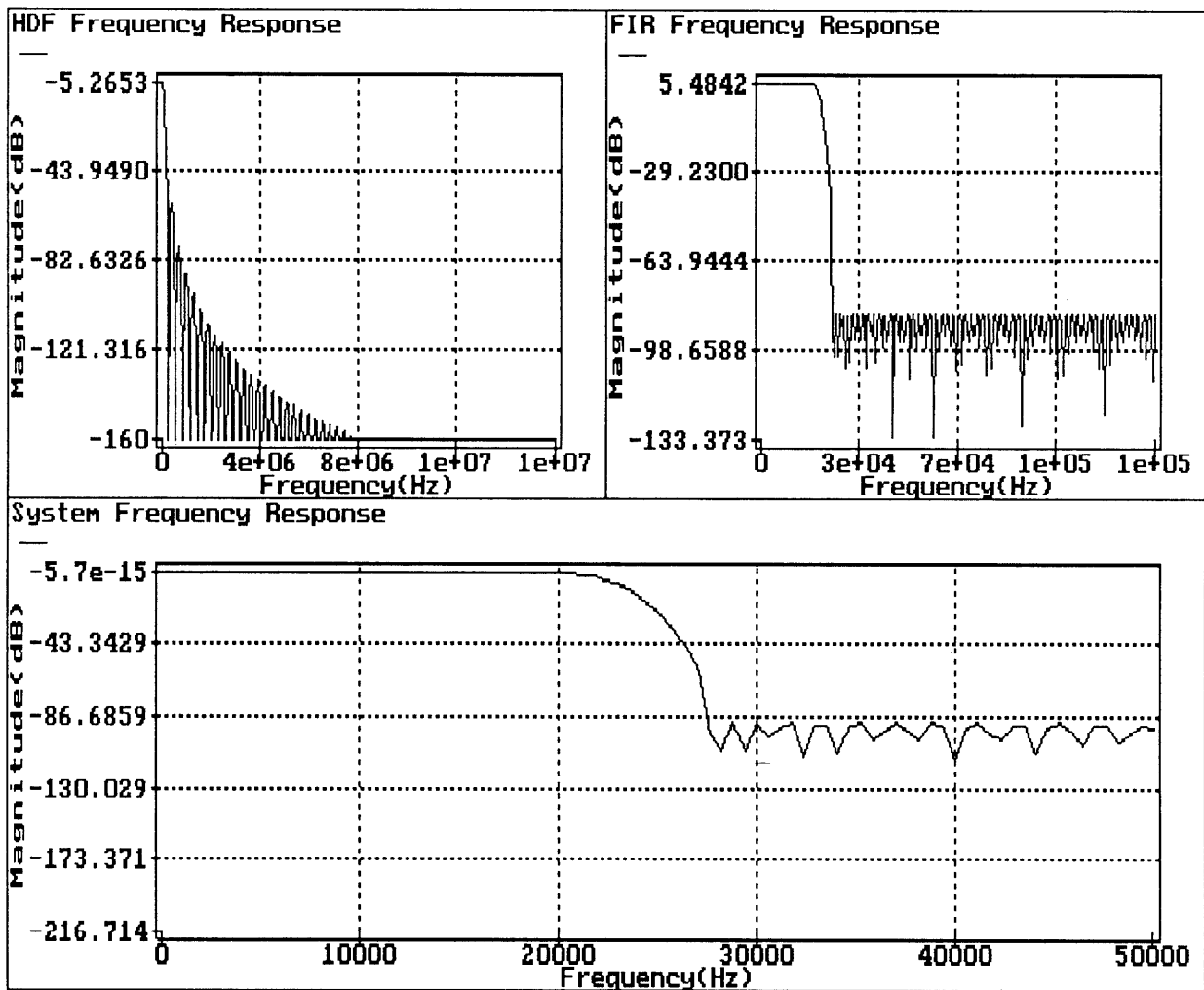


FIGURE 15. DECIMATE DESIGN MODULE SCREENS

HSP43220

Absolute Maximum Ratings $T_A = 25^{\circ}\text{C}$

Supply Voltage +8.0V
 Input, Output or I/O Voltage Applied GND -0.5V to $V_{CC} + 0.5\text{V}$
 ESD Classification Class 1

Operating Conditions

Temperature Range 0°C to 70°C
 Voltage Range +4.75V to +5.25V

Thermal Information

Thermal Resistance (Typical, Note 1)	θ_{JA} ($^{\circ}\text{C}/\text{W}$)	θ_{JC} ($^{\circ}\text{C}/\text{W}$)
CPGA Package	35	5
MQFP Package	33	N/A
PLCC Package	35	N/A
Maximum Storage Temperature Range	-65°C to 150°C	
Maximum Junction Temperature		
CPGA Package	175°C	
MQFP and PLCC Package	150°C	
Maximum Lead Temperature (Soldering 10s)	300°C (MQFP, PLCC - Lead Tips Only)	

Die Characteristics

Component Count 193,000 Transistors

CAUTION: Stresses above those listed in "Absolute Maximum Ratings" may cause permanent damage to the device. This is a stress only rating and operation of the device at these or any other conditions above those indicated in the operational sections of this specification is not implied.

NOTE:

- θ_{JA} is measured with the component mounted on an evaluation PC board in free air.

DC Electrical Specifications

PARAMETER	SYMBOL	TEST CONDITIONS	MIN	MAX	UNITS
Logical One Input Voltage	V_{IH}	$V_{CC} = 5.25\text{V}$	2.0	-	V
Logical Zero Input Voltage	V_{IL}	$V_{CC} = 4.75\text{V}$	-	0.8	V
High Level Clock Input	V_{IHC}	$V_{CC} = 5.25\text{V}$	3.0	-	V
Low Level Clock Input	V_{ILC}	$V_{CC} = 4.75\text{V}$	-	0.8	V
Output HIGH Voltage	V_{OH}	$I_{OH} = -400\mu\text{A}$, $V_{CC} = 4.75\text{V}$	2.6	-	V
Output LOW Voltage	V_{OL}	$I_{OL} = +2.0\text{mA}$, $V_{CC} = 4.75\text{V}$	-	0.4	V
Input Leakage Current	I_I	$V_{IN} = V_{CC}$ or GND, $V_{CC} = 5.25\text{V}$	-10	10	μA
I/O Leakage Current	I_O	$V_{OUT} = V_{CC}$ or GND, $V_{CC} = 5.25\text{V}$	-10	10	μA
Standby Power Supply Current	I_{CCSB}	$V_{IN} = V_{CC}$ or GND $V_{CC} = 5.25\text{V}$, Note 3	-	500	μA
Operating Power Supply Current	I_{CCOP}	$f = 15\text{MHz}$, $V_{IN} = V_{CC}$ or GND, $V_{CC} = 5.25\text{V}$, Notes 2 and 4	-	120	mA

Capacitance $T_A = 25^{\circ}\text{C}$, Note 3

PARAMETER	SYMBOL	TEST CONDITIONS	MIN	MAX	UNITS
Input Capacitance	C_{IN}	FREQ = 1MHz, $V_{CC} = \text{Open}$, All measurements are referenced to device ground	-	12	pF
Output Capacitance	C_O		-	10	pF

NOTES:

- Power supply current is proportional to operating frequency. Typical rating for I_{CCOP} is 8mA/MHz.
- Not tested, but characterized at initial design and at major process/design changes.
- Output load per test load circuit with switch open and $C_L = 40\text{pF}$.

HSP43220

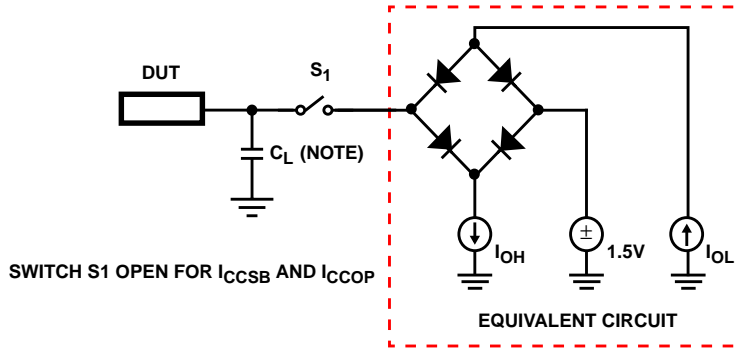
AC Electrical Specifications $V_{CC} = +4.75V$ to $+5.25V$, $T_A = 0^{\circ}C$ to $70^{\circ}C$

PARAMETER	SYMBOL	NOTES	-15		-25		-33		UNITS
			MIN	MAX	MIN	MAX	MIN	MAX	
Input Clock Frequency	F_{CK}		0	15	0	25.6	0	33	MHz
FIR Clock Frequency	F_{FIR}		0	15	0	25.6	0	33	MHz
Input Clock Period	t_{CK}		66	-	39	-	30	-	ns
FIR Clock Period	t_{FIR}		66	-	39	-	30	-	ns
Clock Pulse Width Low	t_{SPWL}		26	-	16	-	13	-	ns
Clock Pulse Width High	t_{SPWH}		26	-	16	-	13	-	ns
Clock Skew Between FIR_CK and CK_IN	t_{SK}		0	t_{FIR-25}	0	t_{FIR-15}	0	t_{FIR-15}	ns
CK_IN Pulse Width Low	t_{CH1L}	Notes 5, 8	29	-	19	-	19	-	ns
CK_IN Pulse Width High	t_{CH1H}	Notes 5, 8	29	-	19	-	19	-	ns
CK_IN Setup to FIR_CK	t_{CIS}	Notes 5, 8	27	-	17	-	17	-	ns
CK_IN Hold from FIR_CK	t_{CIH}	Notes 5, 8	2	-	2	-	2	-	ns
RESET Pulse Width Low	t_{RSPW}		$4t_{CK}$	-	$4t_{CK}$	-	$4t_{CK}$	-	ns
Recovery Time on RESET	t_{RTRS}		$8t_{CK}$	-	$8t_{CK}$	-	$8t_{CK}$	-	ns
ASTARTIN Pulse Width Low	t_{AST}		$t_{CK}+10$	-	$t_{CK}+10$	-	$t_{CK}+10$	-	ns
STARTOUT Delay from CK_IN	t_{STOD}		-	35	-	20	-	18	ns
STARTIN Setup to CK_IN	t_{STIC}		25	-	15	-	10	-	ns
Setup Time on DATA_IN	t_{SET}		20	-	15	-	14	-	ns
Hold Time on All inputs	t_{HOLD}		0	-	0	-	0	-	ns
Write Pulse Width Low	t_{WL}		26	-	15	-	12	-	ns
Write Pulse Width High	t_{WH}		26	-	20	-	18	-	ns
Setup Time on Address Bus Before the Rising Edge of Write	t_{STADD}		26	-	20	-	20	-	ns
Setup Time on Chip Select Before the Rising Edge of Write	t_{STCS}		26	-	20	-	20	-	ns
Setup Time on Control Bus Before the Rising Edge of Write	t_{STCB}		26	-	20	-	20	-	ns
DATA_RDY Pulse Width Low	t_{DRPWL}		$2t_{FIR-20}$	-	$2t_{FIR-10}$	-	$2t_{FIR-10}$	-	ns
DATA_OUT Delay Relative to FIR_CK	t_{FIRDV}		-	50	-	35	-	28	ns
DATA_RDY Valid Delay Relative to FIR_CK	t_{FIRDR}		-	35	-	25	-	20	ns
DATA_OUT Delay Relative to OUT_SELH	t_{OUT}		-	25	-	20	-	20	ns
Output Enable to Data Out Valid	t_{OEV}	Note 6	-	15	-	15	-	15	ns
Output Disable to Data Out Three-State	t_{OEZ}	Note 5	-	15	-	15	-	15	ns
Output Rise, Output Fall Times	t_r, t_f	from 0.8V to 2V, Note 5	-	8	-	8	-	6	ns

NOTES:

5. Controlled by design or process parameters and not directly tested. Characterized upon initial design and after major process and/or design changes.
6. Transition is measured at $\pm 200mV$ from steady state voltage with loading as specified in test load circuit with and $C_L = 40pF$.
7. AC Testing is performed as follows: Input levels (CLK Input) 4.0V and 0V, Input levels (all other Inputs) 0V and 3.0V, Timing reference levels (CLK) = 2.0V, (Others) = 1.5V, Output load per test load circuit and $C_L = 40pF$.
8. Applies only when $H_BYP = 1$ or $H_DRATE = 0$.

AC Test Load Circuit



NOTE: Test head capacitance.

Timing Waveforms

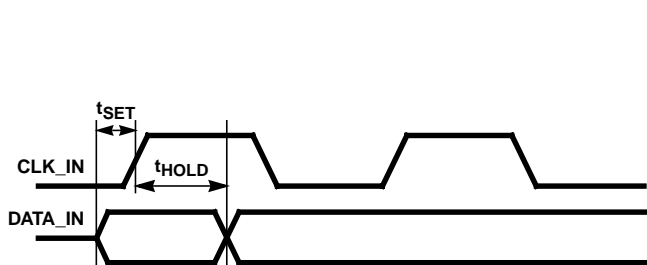


FIGURE 16A.

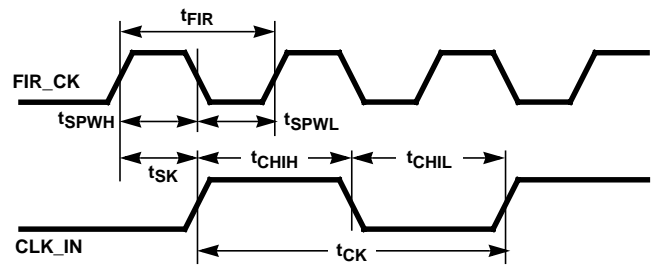


FIGURE 16B.

FIGURE 16. INPUT TIMING

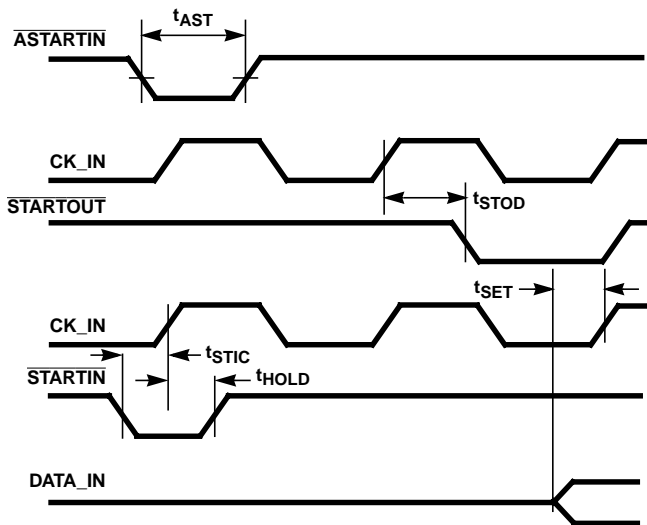


FIGURE 17A.

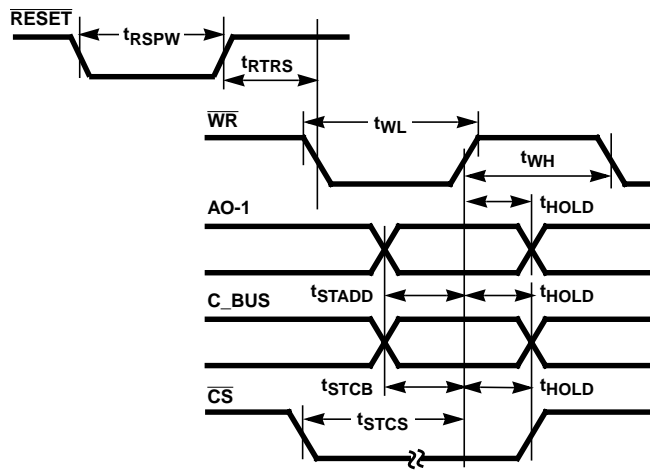


FIGURE 17B.

FIGURE 17. START TIMING

Timing Waveforms (Continued)

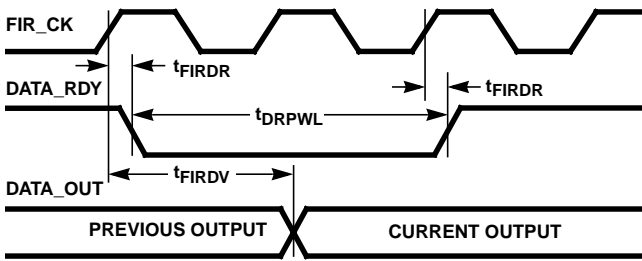


FIGURE 18A.

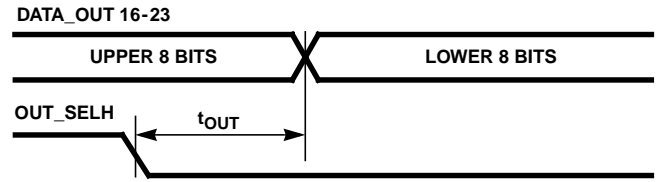


FIGURE 18B.

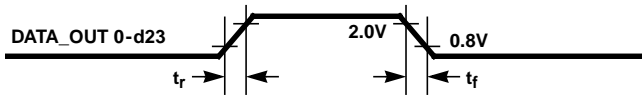


FIGURE 18C.

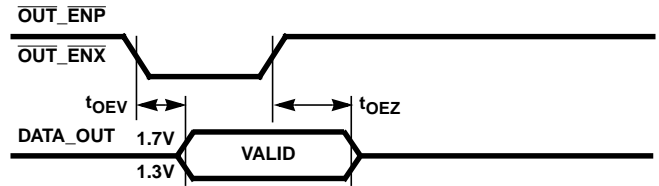


FIGURE 18D.

FIGURE 18.

All Intersil semiconductor products are manufactured, assembled and tested under **ISO9000** quality systems certification.

Intersil semiconductor products are sold by description only. Intersil Corporation reserves the right to make changes in circuit design and/or specifications at any time without notice. Accordingly, the reader is cautioned to verify that data sheets are current before placing orders. Information furnished by Intersil is believed to be accurate and reliable. However, no responsibility is assumed by Intersil or its subsidiaries for its use; nor for any infringements of patents or other rights of third parties which may result from its use. No license is granted by implication or otherwise under any patent or patent rights of Intersil or its subsidiaries.

For information regarding Intersil Corporation and its products, see web site <http://www.intersil.com>

Sales Office Headquarters

NORTH AMERICA
 Intersil Corporation
 P. O. Box 883, Mail Stop 53-204
 Melbourne, FL 32902
 TEL: (407) 724-7000
 FAX: (407) 724-7240

EUROPE
 Intersil SA
 Mercure Center
 100, Rue de la Fusee
 1130 Brussels, Belgium
 TEL: (32) 2.724.2111
 FAX: (32) 2.724.22.05

ASIA
 Intersil (Taiwan) Ltd.
 7F-6, No. 101 Fu Hsing North Road
 Taipei, Taiwan
 Republic of China
 TEL: (886) 2 2716 9310
 FAX: (886) 2 2715 3029