

Monolithic, Wideband, High Slew Rate, High Output Current Buffer

July 1994

Features

- This Circuit is Processed in Accordance to MIL-STD-883 and is Fully Conformant Under the Provisions of Paragraph 1.2.1.
- Voltage Gain ($R_L = 1k\Omega$) **0.98 (Min)**
0.995 (Typ)
 ($R_L = 100\Omega$) **0.96 (Min)**
0.971 (Typ)
- High Input Impedance **1.5M Ω (Min)**
3M Ω (Typ)
- Low Output Impedance **5 Ω (Max)**
3 Ω (Typ)
- Very High Slew Rate **1000V/ μ s (Min)**
1300V/ μ s (Typ)
- Wide Small Signal Bandwidth..... **110MHz (Typ)**
- High Output Current **100mA (Min)**
- High Pulsed Output Current **400mA (Max)**
- Monolithic Dielectric Isolation Construction
- Replaces Hybrid LH0002

Applications

- Line Driver
- Data Acquisition
- 110MHz Buffer
- High Power Current Booster
- High Power Current Source
- Sample and Holds
- Radar Cable Driver
- Video Products

Description

The HA-5002/883 is a monolithic, wideband, high slew rate, high output current, buffer amplifier.

Utilizing the advantages of the Harris Dielectric Isolation technologies, the HA-5002/883 current buffer offers 1300V/ μ s slew rate typically and 1000V/ μ s minimum with 110MHz of bandwidth. The ± 100 mA minimum output current capability is enhanced by a 3 Ω output impedance.

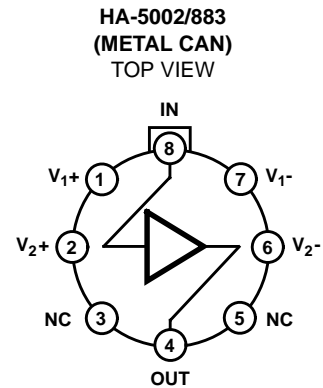
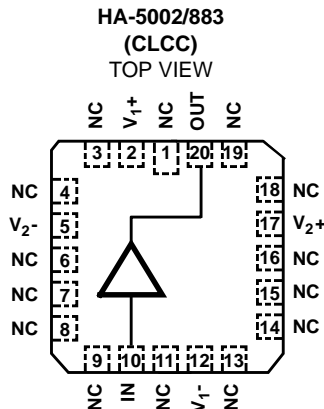
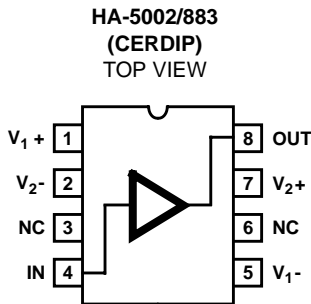
The monolithic HA-5002/883 will replace the hybrid LH0002 with corresponding performance increases. These characteristics range from the 3M Ω (typ) input impedance to the increased output voltage swing. Monolithic design technologies have allowed a more precise buffer to be developed with more than an order of magnitude smaller gain error. The voltage gain is 0.98 guaranteed minimum with a 1k Ω load and 0.96 minimum with a 100 Ω load.

The HA-5002/883 will provide many present hybrid users with a higher degree of reliability and at the same time increase overall circuit performance.

Ordering Information

PART NUMBER	TEMPERATURE RANGE	PACKAGE
HA2-5002/883	-55°C to +125°C	8 Pin Can
HA4-5002/883	-55°C to +125°C	20 Lead Ceramic LCC
HA7-5002/883	-55°C to +125°C	8 Lead CerDIP

Pinouts



Specifications HA-5002/883

Absolute Maximum Ratings

Voltage Between V+ and V- Terminals	44V
Input Voltage.	Equal to Supplies
Peak Output Current (50ms On, 1s Off)	±400mA
Junction Temperature (T _J)	+175°C
Storage Temperature Range	-65°C to +150°C
ESD Rating.	<4000V
Lead Temperature (Soldering 10s)	+300°C

Thermal Information

Thermal Resistance	θ_{JA}	θ_{JC}
CerDIP Package	115°C/W	28°C/W
Ceramic LCC Package	65°C/W	15°C/W
Metal Can Package	155°C/W	67°C/W
Package Power Dissipation Limit at +75°C for T _J ≤ +175°C		
CerDIP Package	870mW	
Ceramic LCC Package	1.54W	
Metal Can Package	645mW	
Package Power Dissipation Derating Factor Above +75°C		
CerDIP Package	8.7mW/°C	
Ceramic LCC Package	15.4mW/°C	
Metal Can Package	6.5mW/°C	

CAUTION: Stresses above those listed in "Absolute Maximum Ratings" may cause permanent damage to the device. This is a stress only rating and operation of the device at these or any other conditions above those indicated in the operational sections of this specification is not implied.

Operating Conditions

Operating Temperature Range	-55°C to +125°C	R _L ≥ 100Ω
Operating Supply Voltage	±12V to ±15V	

TABLE 1. DC ELECTRICAL PERFORMANCE CHARACTERISTICS

Device Tested at: V_{SUPPLY} = ±12V and ±15V, R_{SOURCE} = 50Ω, C_{LOAD} ≤ 10pF, V_{IN} = 0V, Unless Otherwise Specified.

PARAMETERS	SYMBOL	CONDITIONS	GROUP A SUBGROUPS	TEMPERATURE	LIMITS		UNITS
					MIN	MAX	
Input Offset Voltage	V _{IO1}	V _{SUP} = ±15V	1	+25°C	-20	20	mV
			2, 3	+125°C, -55°C	-30	30	mV
	V _{IO2}	V _{SUP} = ±12V	1	+25°C	-20	20	mV
			2, 3	+125°C, -55°C	-30	30	mV
Input Bias Current	I _{B1}	V _{SUP} = ±15V, R _S = 1kΩ	1	+25°C	-7	7	μA
			2, 3	+125°C, -55°C	-10	10	μA
	I _{B2}	V _{SUP} = ±12V, R _S = 1kΩ	1	+25°C	-7	7	μA
			2, 3	+125°C, -55°C	-10	10	μA
Voltage Gain 1	+AV ₁	V _{SUP} = ±12V, R _L = 1kΩ, V _{IN} = 10V	1	+25°C	0.98	-	V/V
			2, 3	+125°C, -55°C	0.98	-	V/V
	-AV ₁	V _{SUP} = ±12V, R _L = 1kΩ, V _{IN} = -10V	1	+25°C	0.98	-	V/V
			2, 3	+125°C, -55°C	0.98	-	V/V
Voltage Gain 2	+AV ₂	V _{SUP} = ±12V, R _L = 100Ω, V _{IN} = 10V	1	+25°C	0.96	-	V/V
	-AV ₂	V _{SUP} = ±12V, R _L = 100Ω, V _{IN} = -10V	1	+25°C	0.96	-	V/V
Voltage Gain 3	+AV ₃	V _{SUP} = ±15V, R _L = 100Ω, V _{IN} = 10V	1	+25°C	0.96	-	V/V
	-AV ₃	V _{SUP} = ±15V, R _L = 100Ω, V _{IN} = -10V	1	+25°C	0.96	-	V/V

Specifications HA-5002/883

TABLE 1. DC ELECTRICAL PERFORMANCE CHARACTERISTICS (Continued)

Device Tested at: $V_{SUPPLY} = \pm 12V$ and $\pm 15V$, $R_{SOURCE} = 50\Omega$, $C_{LOAD} \leq 10pF$, $V_{IN} = 0V$, Unless Otherwise Specified.

PARAMETERS	SYMBOL	CONDITIONS	GROUP A SUBGROUPS	TEMPERATURE	LIMITS		UNITS
					MIN	MAX	
Voltage Gain 4	+AV ₄	V _{SUP} = ±15V, R _L = 1kΩ, V _{IN} = +10V	1	+25°C	0.99	-	V/V
			2, 3	+125°C, -55°C	0.99	-	V/V
	-AV ₄	V _{SUP} = ±15V, R _L = 1kΩ, V _{IN} = -10V	1	+25°C	0.99	-	V/V
			2, 3	+125°C, -55°C	0.99	-	V/V
Output Voltage Swing	+V _{OUT1}	V _{SUP} = ±15V, R _L = 100Ω, V _{IN} = +15V	1	+25°C	10	-	V
			2, 3	+125°C, -55°C	10	-	V
	-V _{OUT1}	V _{SUP} = ±15V, R _L = 100Ω, V _{IN} = -15V	1	+25°C	-	-10	V
			2, 3	+125°C, -55°C	-	-10	V
	+V _{OUT2}	V _{SUP} = ±15V, R _L = 1kΩ, V _{IN} = +15V	1	+25°C	10	-	V
			2, 3	+125°C, -55°C	10	-	V
	-V _{OUT2}	V _{SUP} = ±15V, R _L = 1kΩ, V _{IN} = -15V	1	+25°C	-	-10	V
			2, 3	+125°C, -55°C	-	-10	V
	+V _{OUT3}	V _{SUP} = ±12V, R _L = 1kΩ, V _{IN} = +12V	1	+25°C	10	-	V
			2, 3	+125°C, -55°C	10	-	V
	-V _{OUT3}	V _{SUP} = ±12V, R _L = 1kΩ, V _{IN} = -12V	1	+25°C	-	-10	V
			2, 3	+125°C, -55°C	-	-10	V
Output Current	+I _{OUT1}	V _{SUP} = ±15V, V _{OUT} = +10V	1	+25°C	100	-	mA
			2, 3	+125°C, -55°C	100	-	mA
	-I _{OUT1}	V _{SUP} = ±15V, V _{OUT} = -10V	1	+25°C	-	-100	mA
			2, 3	+125°C, -55°C	-	-100	mA
	+I _{OUT2}	V _{SUP} = ±12V, V _{OUT} = +10V	1	+25°C	100	-	mA
			2, 3	+125°C, -55°C	100	-	mA
-I _{OUT2}	V _{SUP} = ±12V, V _{OUT} = -10V	1	+25°C	-	-100	mA	
		2, 3	+125°C, -55°C	-	-100	mA	
Power Supply Rejection Ratio	+PSRR ₁	ΔV _{SUP} = ±5V, V ₊ = +20V, V ₋ = -15V, V ₊ = +10V, V ₋ = -15V	1	+25°C	54	-	dB
			2, 3	+125°C, -55°C	54	-	dB
	-PSRR ₁	ΔV _{SUP} = ±5V, V ₊ = +15V, V ₋ = -20V, V ₊ = +15V, V ₋ = -10V	1	+25°C	54	-	dB
			2, 3	+125°C, -55°C	54	-	dB
	+PSRR ₂	ΔV _{SUP} = ±5V, V ₊ = +17V, V ₋ = -12V, V ₊ = +7V, V ₋ = -12V	1	+25°C	54	-	dB
			2, 3	+125°C, -55°C	54	-	dB
	-PSRR ₂	ΔV _{SUP} = ±5V, V ₊ = +12V, V ₋ = -17V, V ₊ = +12V, V ₋ = -7V	1	+25°C	54	-	dB
			2, 3	+125°C, -55°C	54	-	dB

Specifications HA-5002/883

TABLE 1. DC ELECTRICAL PERFORMANCE CHARACTERISTICS (Continued)

Device Tested at: $V_{SUPPLY} = \pm 12V$ and $\pm 15V$, $R_{SOURCE} = 50\Omega$, $C_{LOAD} \leq 10pF$, $V_{IN} = 0V$, Unless Otherwise Specified.

PARAMETERS	SYMBOL	CONDITIONS	GROUP A SUBGROUPS	TEMPERATURE	LIMITS		UNITS
					MIN	MAX	
Power Supply Current	+ICC ₁	$V_{SUP} = \pm 15V$, $V_{OUT} = 0V$	1	+25°C	-	10	mA
			2, 3	+125°C, -55°C	-	10	mA
	-ICC ₁	$V_{SUP} = \pm 15V$, $V_{OUT} = 0V$	1	+25°C	-10	-	mA
			2, 3	+125°C, -55°C	-10	-	mA
	+ICC ₂	$V_{SUP} = \pm 12V$, $V_{OUT} = 0V$	1	+25°C	-	10	mA
			2, 3	+125°C, -55°C	-	10	mA
-ICC ₂	$V_{SUP} = \pm 12V$, $V_{OUT} = 0V$	1	+25°C	-10	-	mA	
		2, 3	+125°C, -55°C	-10	-	mA	

TABLE 2. AC ELECTRICAL PERFORMANCE CHARACTERISTICS

Table 2 Intentionally Left Blank. See AC Specifications in Table 3

TABLE 3. ELECTRICAL PERFORMANCE CHARACTERISTICS

Device Characterized at: $V_{SUPPLY} = \pm 15V$ or $\pm 12V$, $R_{LOAD} = 1k\Omega$, $C_{LOAD} \leq 10pF$, Unless Otherwise Specified.

PARAMETERS	SYMBOL	CONDITIONS	NOTES	TEMPERATURE	LIMITS		UNITS
					MIN	MAX	
Input Resistance	R _{IN1}	$V_{SUP} = \pm 15V$	1	+25°C	1.5	-	MΩ
	R _{IN2}	$V_{SUP} = \pm 12V$	1	+25°C	1.5	-	MΩ
Slew Rate	+SR ₁	$V_{SUP} = \pm 15V$, $V_{OUT} = -5V$ to +5V	1	+25°C	1000	-	V/μs
				+125°C, -55°C	1000	-	V/μs
	-SR ₁	$V_{SUP} = \pm 15V$, $V_{OUT} = +5V$ to -5V	1	+25°C	1000	-	V/μs
				+125°C, -55°C	1000	-	V/μs
	+SR ₂	$V_{SUP} = \pm 12V$, $V_{OUT} = -5V$ to +5V	1	+25°C	1000	-	V/μs
				+125°C, -55°C	1000	-	V/μs
-SR ₂	$V_{SUP} = \pm 12V$, $V_{OUT} = +5V$ to -5V	1	+25°C	1000	-	V/μs	
			+125°C, -55°C	1000	-	V/μs	
Rise and Fall Time	T _R	$V_{SUP} = \pm 15V$ or $\pm 12V$, $V_{OUT} = 0$ to +500mV	1, 2	+25°C	-	10	ns
				+125°C, -55°C	-	10	ns
	T _F	$V_{SUP} = \pm 15V$ or $\pm 12V$, $V_{OUT} = 0$ to -500mV	1, 2	+25°C	-	10	ns
				+125°C, -55°C	-	10	ns

Specifications HA-5002/883

TABLE 3. ELECTRICAL PERFORMANCE CHARACTERISTICS (Continued)

Device Characterized at: $V_{SUPPLY} = \pm 15V$ or $\pm 12V$, $R_{LOAD} = 1k\Omega$, $C_{LOAD} \leq 10pF$, Unless Otherwise Specified.

PARAMETERS	SYMBOL	CONDITIONS	NOTES	TEMPERATURE	LIMITS		UNITS
					MIN	MAX	
Overshoot	+OS	$V_{SUP} = \pm 12V$ or $\pm 15V$, $V_{OUT} = 0$ to $+500mV$	1	+25°C	-	30	%
				+125°C, -55°C	-	30	%
	-OS	$V_{SUP} = \pm 12V$ or $\pm 15V$, $V_{OUT} = 0$ to $-500mV$	1	+25°C	-	30	%
				+125°C, -55°C	-	30	%
Quiescent Power Consumption	PC ₁	$V_{SUP} = \pm 15V$, $V_{IN} = 0V$, $I_{OUT} = 0mA$	1, 3	+25°C	-	300	mW
				+125°C, -55°C	-	300	mW
	PC ₂	$V_{SUP} = \pm 12V$, $V_{IN} = 0V$, $I_{OUT} = 0mA$	1, 3	+25°C	-	240	mW
				+125°C, -55°C	-	240	mW
Output Resistance	R _{OUT1}	$V_{SUP} = \pm 12V$	1	+25°C	-	5	Ω
	R _{OUT2}	$V_{SUP} = \pm 12V$	1	+25°C	-	5	Ω

NOTES:

1. Parameters listed in Table 3 are controlled via design or process parameters and are not directly tested at final production. These parameters are lab characterized upon initial design release, or upon design changes. These parameters are guaranteed by characterization based upon data from multiple production runs which reflect lot to lot and within lot variation.
2. Measured between 10% and 90% points.
3. Quiescent Power Consumption based upon Quiescent Supply Current test maximum. (No load on outputs.)

TABLE 4. ELECTRICAL TEST REQUIREMENTS

MIL-STD-883 TEST REQUIREMENTS	SUBGROUPS (SEE TABLE 1)
Interim Electrical Parameters (Pre Burn-In)	1
Final Electrical Test Parameters	1 (Note 1), 2, 3
Group A Test Requirements	1, 2, 3
Groups C and D Endpoints	1

NOTE:

1. PDA applies to Subgroup 1 only.

