

### FEATURES

- Plastic material has Underwriters Laboratory flammability classification 94V-0.
- Low leakage.
- Surge overload rating - 50 amperes peak.
- Ideal for printed circuit boards.
- Exceeds environmental standards of MIL - STD - 19500.

### MECHANICAL DATA

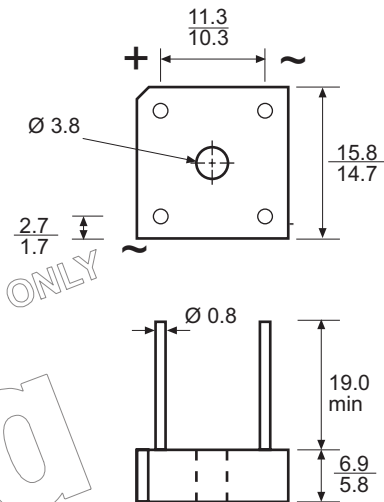
- Case** : Reliable low cost construction utilizing moulded plastic technique results in inexpensive product.
- Terminals**: Leads, solderable per MIL - STD - 202, Method 208.
- Polarity** : Polarity symbols printed on body.
- Weight** : 0.13 ounce, 3.8 grams.

### VOLTAGE RANGE

50 to 1000 Volts

### CURRENT

3 Amperes



Dimensions in millimetres

### MAXIMUM RATINGS AND ELECTRICAL CHARACTERISTICS

Ratings at 25°C ambient temperature unless otherwise specified.

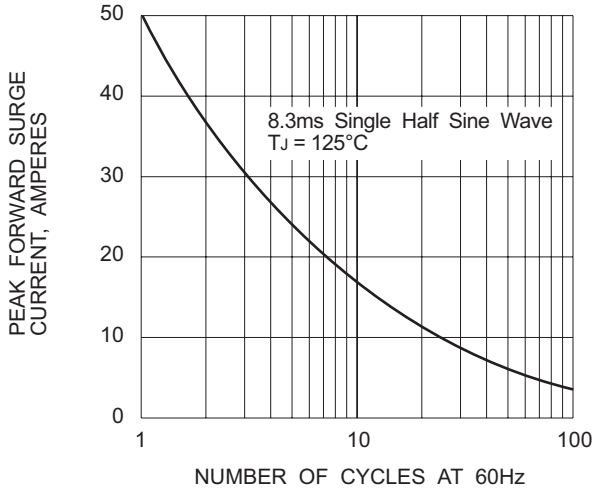
Single phase, half wave, 60 Hz, resistive or inductive load. For capacitive load, derate current by 20%.

		KBPC1005	KBPC101	KBPC102	KBPC103	KBPC104	KBPC106	KBPC108	KBPC110		
Maximum Recurrent Peak Reverse Voltage	V <sub>RRM</sub>	50	100	200	300	400	600	800	1000	V	
Maximum Bridge Input Voltage RMS	V <sub>RMS</sub>	35	70	140	210	280	420	560	700	V	
Maximum DC Blocking Voltage	V <sub>DC</sub>	50	100	200	300	400	600	800	1000	V	
Maximum Average Forward Current at (see Fig 2)	I <sub>F(AV)</sub>					3.0 2.0					A
Peak Forward Surge Current, 8.3 ms single half sine - wave super-imposed on rated load (see Fig 1)	I <sub>FSM</sub>					50					A
Maximum Forward Voltage Drop per Element at 1.5A DC (see Fig 3)	V <sub>F</sub>					1.2					V
Maximum Reverse Current at Rated DC Blocking Voltage per Element (see Fig 4)	I <sub>R</sub>					10.0 1.0					$\mu$ A mA
Operating Temperature Range	T <sub>J</sub>					- 55 to + 125					°C
Storage Temperature Range	T <sub>STG</sub>					- 55 to + 150					°C

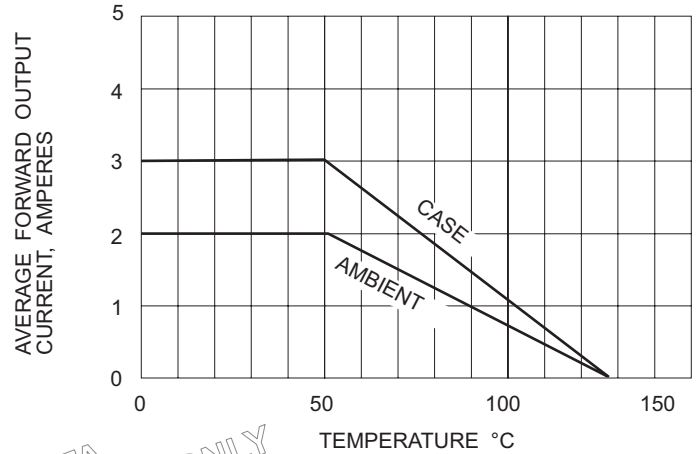
Notes \* Unit mounted on metal heatsink.  
\*\* Unit mounted on P.C board.

# RATING AND CHARACTERISTIC CURVES KBPC100 SERIES

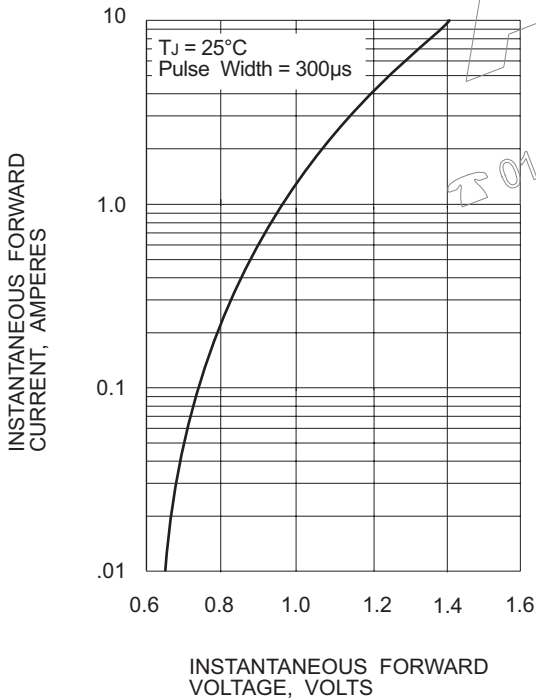
**FIG 1 : MAXIMUM NON-REPETITIVE SURGE CURRENT PER ELEMENT**



**FIG 2 : DERATING CURVE FOR RECTIFIED OUTPUT CURRENT**



**FIG 3 : TYPICAL FORWARD CHARACTERISTICS PER ELEMENT**



**FIG 4 : TYPICAL REVERSE CHARACTERISTICS PER ELEMENT**

