

### FEATURES

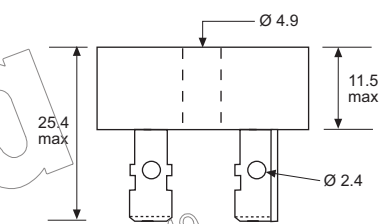
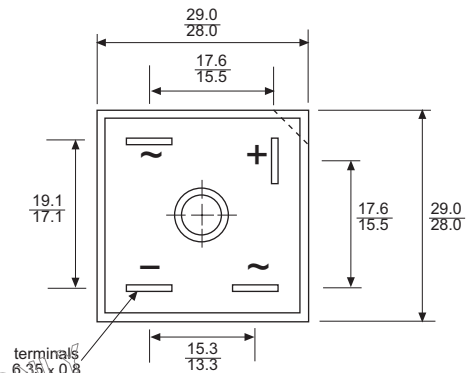
- High efficiency
- Surge overload rating - 300 amperes peak
- Body clad with metal (electrically isolated) or plastic
- Plastic encapsulation has Underwriters
- Laboratory flammability classification 94V-0
- Universal multipurpose terminals

### MECHANICAL DATA

- Case** : Metal or Plastic shell with plastic encapsulation
- Terminals** : 1/4inch, 6.35mm Faston blades \*
- Polarity** : Positive symbol printed on body
- Weight** : 1.1 ounce, 31.6 grams

**VOLTAGE RANGE**  
50 to 1000 Volts PRV

**CURRENT**  
15 Amperes



Dimensions in millimetres

### MAXIMUM RATINGS AND ELECTRICAL CHARACTERISTICS

Ratings at 25°C ambient temperature unless otherwise specified.

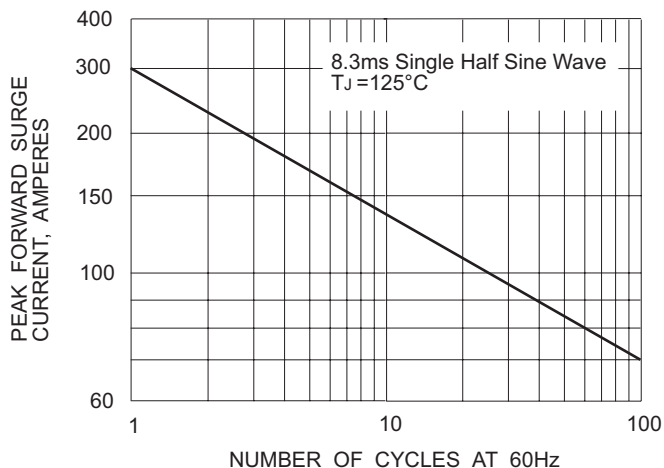
Single phase, half wave, 60 Hz, resistive or inductive load. For capacitive load, derate current by 20%.

	Metal Case	KBPC15005	KBPC1501	KBPC1502	KBPC1504	KBPC1506	KBPC1508	KBPC1510	
		Plastic Case	BR1505	BR151	BR152	BR154	BR156	BR158	
Maximum Recurrent Peak Reverse Voltage	VRRM	50	100	200	400	600	800	1000	V
Maximum Bridge Input Voltage RMS	VRMS	35	70	140	280	420	560	700	V
Maximum DC Blocking Voltage	VDC	50	100	200	400	600	800	1000	V
Maximum Average Forward Current at Tc = 55°C (see Fig 2)	IF(AV)				15.0				A
Peak Forward Surge Current, 8.3 ms single half sine - wave superimposed on rated load (see Fig 1)	IFSM				300				A
Maximum Forward Voltage Drop per Element at 7.5A (see Fig 3)	VF				1.2				V
Maximum Reverse Current at Rated DC Blocking Voltage per Element (see Fig 4)	IR				10.0 1.0				µA mA
RMS Isolation Voltage from Case to Terminals	VISO				2500				V
Operating Temperature Range	TJ				- 55 to + 125				°C
Storage Temperature Range	TSTG				- 55 to + 150				°C

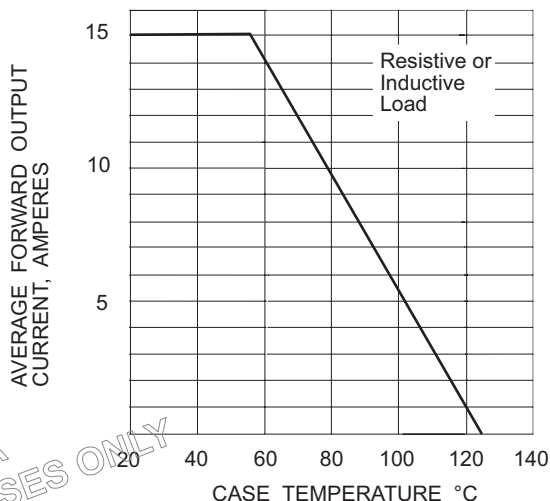
\* Lead out wires can be supplied as an alternative to blades - add suffix W to part number e.g. KBPC1506W

# RATING AND CHARACTERISTIC CURVES KBPC1500/BR150 SERIES

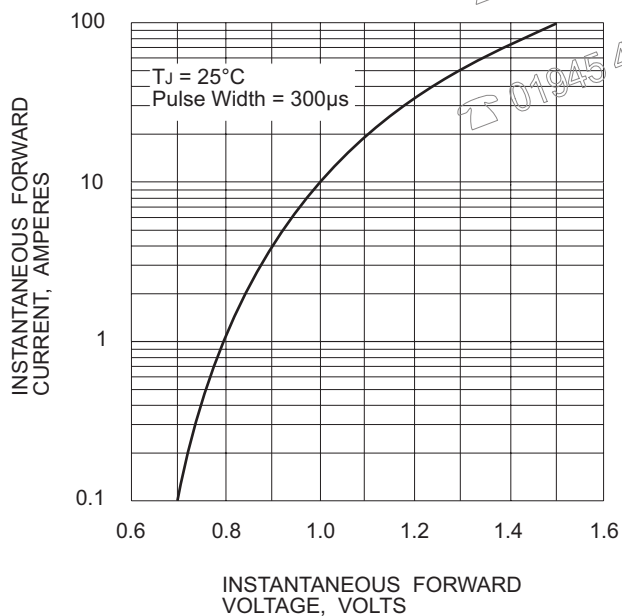
**FIG 1 : MAXIMUM NON-REPETITIVE SURGE CURRENT PER ELEMENT**



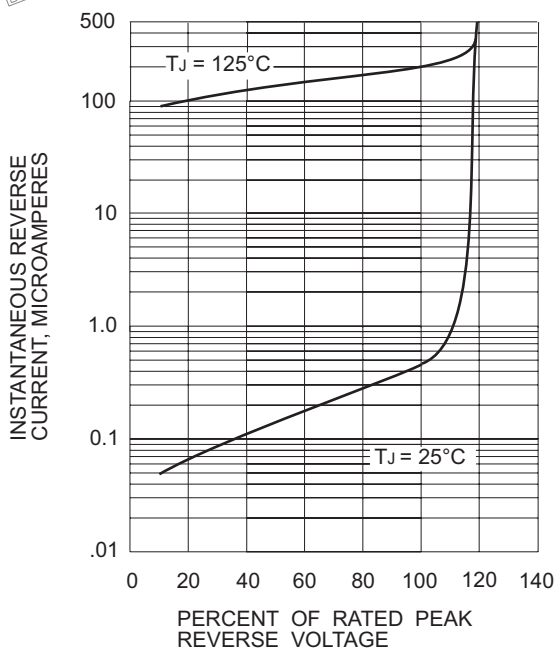
**FIG 2 : DERATING CURVE FOR RECTIFIED OUTPUT CURRENT**



**FIG 3 : TYPICAL FORWARD CHARACTERISTICS PER ELEMENT**



**FIG 4 : TYPICAL REVERSE CHARACTERISTICS PER ELEMENT**



TECHNICAL DATA  
FOR REFERENCE PURPOSES ONLY

Anglia

01945 47 47 47