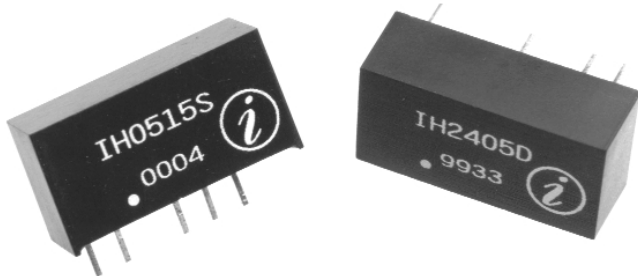


DC/DC Converters

2 Watts IH Series

XPiQ inc.
Intelligent Design Quality Product



0.22 in² Board Space

75% Efficiency

5, 12, 24 and 48 VDC Inputs

1000/3000 VDC Isolation

SIP and DIP Packages

Low Cost

Specification

All specifications are typical at nominal line, full load & +25°C

Input

- Input Voltage • $\pm 10\%$
- Input Reflected Noise • 100 mV pk-pk max (20 MHz) BW

Output

- Output Voltage Accuracy • $\pm 5\%$
- Output Ripple & Noise • 150 mV pk-pk max (20 MHz BW)
- Line Regulation • 1.2%/1% of V_{in}
- Load Regulation • $\pm 10\%$ (20% to 100% Load)

General

- Efficiency • At full load 9 V, 12 V & 15 V outputs 80% typical
At full load 3.3V and 5V outputs 70% typical
- Short Circuit Protection • 1 second max

Environmental

- Input Output Isolation • 1000 VDC/3000 VDC for 'H' option
- Temperature Coefficient • 0.03%/°C max
- Operating Temperature Range • -40 °C to +85 °C
- Storage Temperature Range • -55 °C to +125 °C

OUTPUT VOLTAGE & CURRENT RATINGS

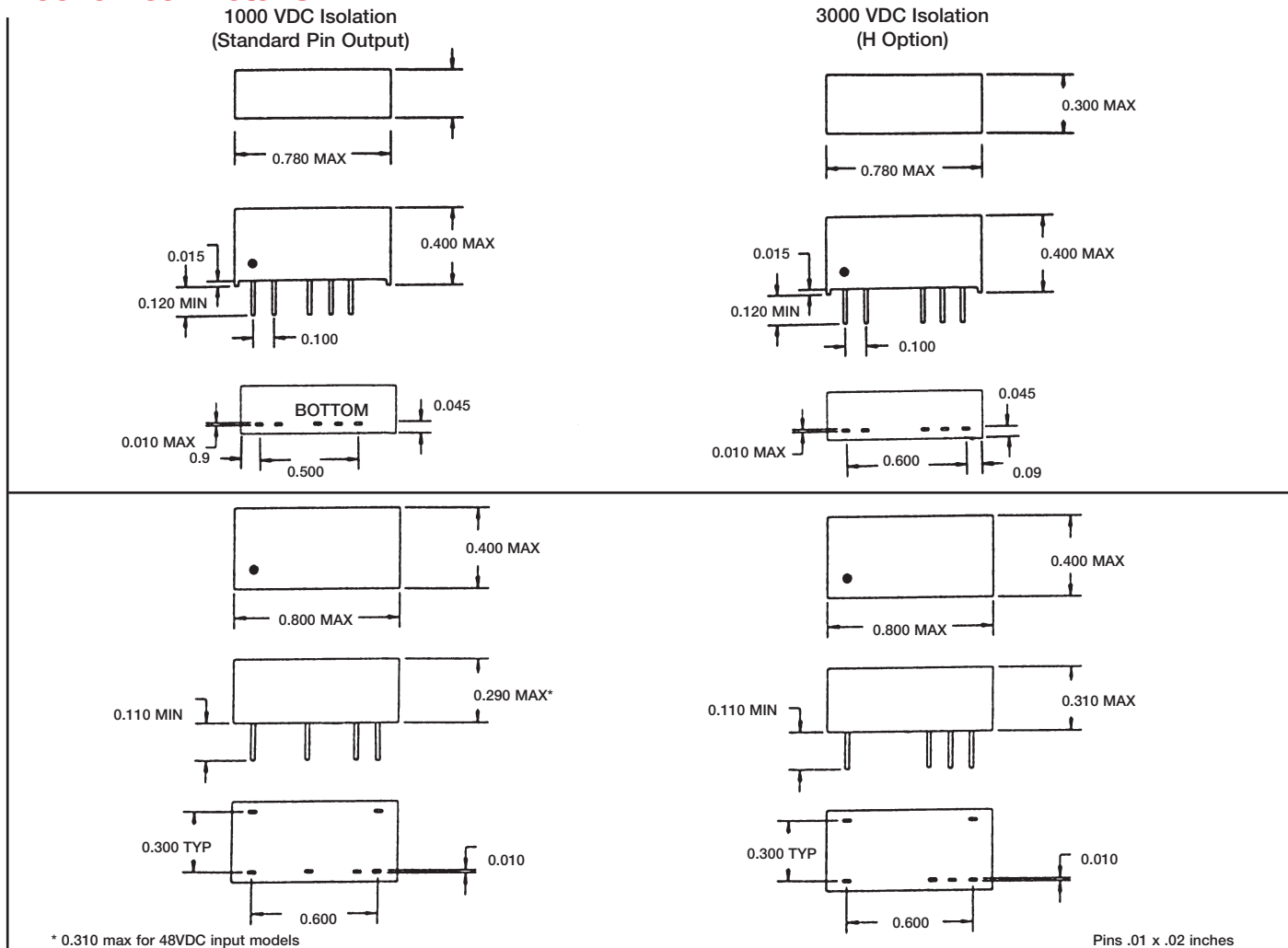
IH

Output Voltage	Output Current	5 VDC Input	12 VDC Input	24 VDC Input	48 VDC Input
±3.3 VDC	±300 mA	IH0503	IH1203	IH2403	IH4803
±5.0 VDC	±200 mA	IH0505	IH1205	IH2405	IH4805
±9.0 VDC	±111 mA	IH0509	IH1209	IH2409	IH4809
±12.0 VDC	±84 mA	IH0512	IH1212	IH2412	IH4812
±15.0 VDC	±66 mA	IH0515	IH1215	IH2415	IH4815

Notes

Add suffix "S" for single-in-line package, suffix "D" for dual-in-line package.
Add suffix "H" for 3000 VDC isolation.

Mechanical Details



Pin Connections & Derating Curve

