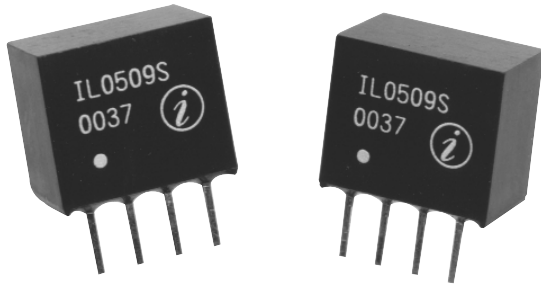


DC/DC Converters

2 Watts IL Series

XPiQ inc.
Intelligent Design Quality Product



0.14 in² Board Space

75% Efficiency

5, 12, 24, 48 VDC Inputs

1000/3000 VDC Isolation

Single-in-line Packages

Low Cost

Specification

All specifications are typical at nominal line, full load & +25 °C

Input

- Input Voltage • ±10%
- Input Reflected Noise • 200 mV pk-pk max (20 MHz) BW

Output

- Output Voltage Accuracy • ±5%
- Output Ripple & Noise • 200 mV pk-pk max (20 MHz BW)
- Line Regulation • 1.2%/1% of V_{in}
- Load Regulation • ±10% (20% to 100% Load)

General

- Efficiency • 75% typical
- Short Circuit Protection • 1 second max

Environmental

- Input Output Isolation • 1000/3000 VDC
- Temperature Coefficient • 0.03%/°C max
- Operating Temperature Range • -40 °C to +85 °C
- Storage Temperature Range • -55 °C to +125 °C

OUTPUT VOLTAGE & CURRENT RATINGS

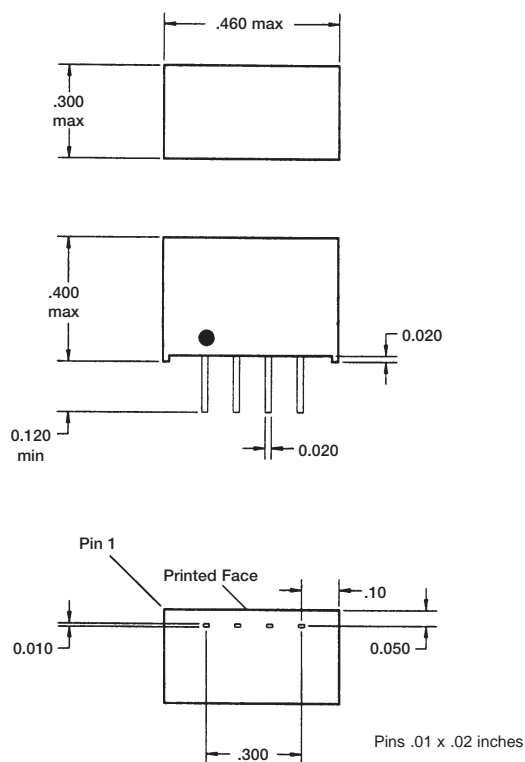
IL

Output Voltage	Output Current	5 VDC Input	12 VDC Input	24 VDC Input	48 VDC Input
3.3 VDC	400 mA	IL0503	IL1203	N/A	N/A
5.0 VDC	400 mA	IL0505	IL1205	IL2405	IL4805
9.0 VDC	222 mA	IL0509	IL1209	IL2409	IL4809
12.0 VDC	168 mA	IL0512	IL1212	IL2412	IL4812
15.0 VDC	132 mA	IL0515	IL1215	IL2415	IL4815

Notes

Add suffix "H" for optional 3000 VDC Isolation.

Mechanical Details



Pin Connections & Derating Curve

