

AC/DC Medical Desktop

110 Watts PMP110 Series

XPiQ inc.

Intelligent Design Quality Product



CE Marked - LVD & EMC

•
Universal Input

•
100% Burn-In

•
Low Leakage Current

•
4000 VAC Isolation

•
Input Surge Protection

•
Line & Neutral Fused

Specification

All specifications typical at nominal line, full load and 25°C

Input

Input Voltage	• 85-264 VAC
Input Frequency	• 47 to 440 Hz
Input Current	• 3.20 A (rms) for 115 VAC 0.90 A (rms) for 230 VAC
Safety Ground	• 50 μ A max at 110 VAC 60 Hz
Leakage Current	• 100 μ A ma. at 240 VAC 50 Hz

Output

Total Output Power	• 0-110 watts
Ripple and Noise	• 1% pk-pk max
Overvoltage Protection	• Provided on output #1 only set at 112-132% of its nominal output voltage
Overcurrent Protection:	• All outputs protected to short circuit conditions
Temperature Coefficient:	• $\pm 0.04\%/^{\circ}\text{C}$
Transient Response	• Maximum excursion of 4% or better on all models. Recovers to 1% of final value within 500 μ s after a 25% step load change

General

Efficiency	• 65% minimum
Hold-up time	• 12 msec minimum at 115 VAC
Line Regulation	• $\pm 0.5\%$ maximum at full load
Inrush Current	• 15 A at 115 VAC or 30 A at 230 VAC at +25°C cold start
Withstand Voltage	• 4000 VAC from input to output 1500 VAC from input to ground 500 VAC from output to ground

Environmental

Operating Temperature	• 0 °C to +70 °C, derate linearly from 100% load at +50 °C to 50% load at +70 °C
Storage Temperature	• -40 °C to +85 °C
Relative Humidity	• 5% to 95% non-condensing
MTBF	• 100,000 hours minimum at full load at +25 °C ambient

EMC & Safety

EMI Requirement	• Meets conducted and radiated limits of EN 55011 (CISPR11) Class B
Safety Requirements	• Approved to: (not for patient contact) a) UL 2601 b) CSA C22.2 No. 601.1-M90 per CUL c) IEC 601-1/EN60601-1

OUTPUT VOLTAGE & CURRENT RATINGS

PMP110

Output #1				Output #2				Output #3				Output #4				Model Number	
Vnom	Imin	Imax	Tol.	Vnom	Imin	Imax	Ipeak	Tol.	Vnom	Imin	Imax	Tol.	Vnom	Imin	Imax	Tol.	
+5 V	0 A	10 A	5%	+12 V	0 A	5 A	9.0 A	5%									PMP110-23
+5 V	0 A	10 A	5%	+12 V	0 A	5 A	9.0 A	5%	-12 V	0 A	1 A	5%					PMP110-31
+5 V	0 A	10 A	5%	+15 V	0 A	4 A	7.5 A	5%	-15 V	0 A	1 A	5%					PMP110-32
+5 V	0 A	10 A	5%	+12 V	0 A	5 A	9.0 A	5%	-12 V	0 A	1 A	5%	-5 V	0.0 A	1 A	5%	PMP110-40
+5 V	0 A	10 A	5%	+15 V	0 A	4 A	7.5 A	5%	-15 V	0 A	1 A	5%	+24 V	0.0 A	1 A	5%	PMP110-41
+5 V	0 A	10 A	5%	+12 V	0 A	5 A	9.0 A	5%	-12 V	0 A	1 A	5%	+12 V	0.0 A	1 A	5%	PMP110-42
+5 V	0 A	10 A	5%	+12 V	0 A	5 A	9.0 A	5%	-12 V	0 A	1 A	5%	+24 V	0.0 A	1 A	5%	PMP110-45
+5 V	2 A	10 A	5%	+12 V	0 A	5 A	9.0 A	5%	-12 V	0 A	1 A	5%	+24 V	1.5 A	3 A	10%	PMP110-45-1
+5 V	0 A	10 A	5%	+24 V	0 A	3 A	5.0 A	5%	-12 V	0 A	1 A	5%	+12 V	0.0 A	1 A	5%	PMP110-45-2
+5 V	0 A	10 A	5%	+15 V	0 A	4 A	7.5 A	5%	-15 V	0 A	1 A	5%	-5 V	0.0 A	1 A	5%	PMP110-46

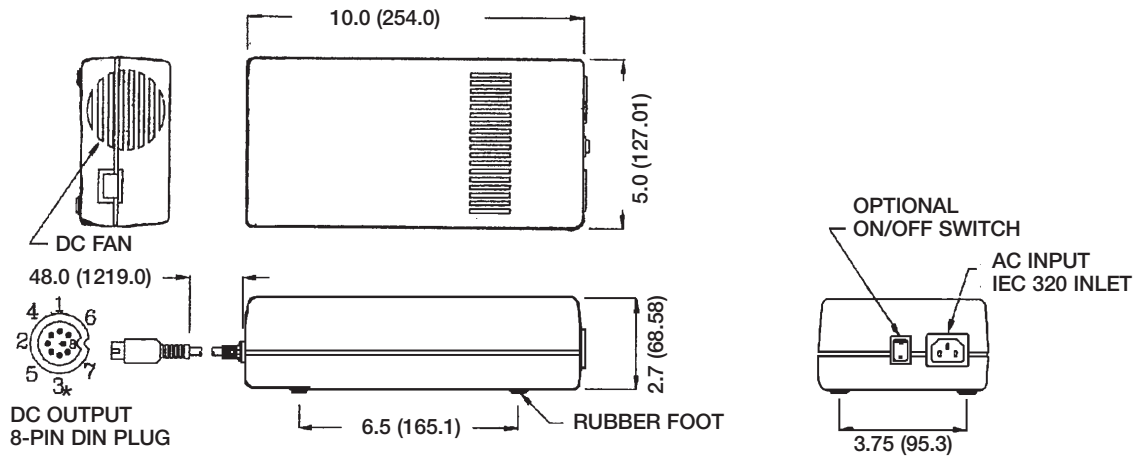
Note

Peak output current with 10% maximum duty cycle for less than 60 seconds. Total peak power must not exceed 130 Watts.

Pin Chart

Model	1	2	3	4	5	6	7	8
PMP110-23	Common Return	N.C.	Output#1	N.C.	Output#2	Common Return	Output#1	P.F.D.
PMP110-31 PMP110-32	Common Return	Output#3	Output#1	N.C.	Output#2	Common Return	Output#1	P.F.D.
PMP110-40 PMP110-41 PMP110-42 PMP110-45-1 PMP110-46	Common Return	Output#3	Output#1	Output#4	Output#2	Common Return	Output#1	P.F.D.

Mechanical Details



NOTE:

1. Dimensions shown in inches (mm).
2. Tolerance 0.02 (0.5) maximum.
3. Optional output connectors available.
4. Optional ON/OFF switch available.
5. Weight: 1.35 kg.

*AMP Receptacle No. 212047-1 or Equivalent