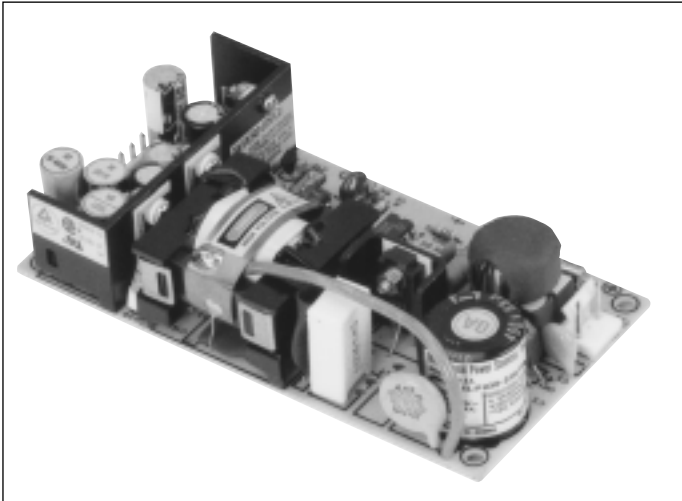


Switching Power Supply

XPiQ inc.
Intelligent Design Quality Product



40 Watts
PU40 Series



- Built-in EMI Filter
-
- 100% Burn-in
-
- Input Surge Current Protection
-
- Industry Standard 3.0" x 5.0" x 1.2" Size
-
- Universal Input Voltage (85-264 VAC)

Specification

All specifications typical at nominal line, full load and 25°C

Input

- Input Voltage* • 85 to 264 VAC/115-280 VDC
- Input Frequency* • 47 to 440 Hz
- Input Current* • 1.2A (rms for 115 VAC
0.7A (rms) for 230 VAC)

Output

- Output Voltage:* • See Rating Charts
- Output Current* • See Rating Charts
- Output Power Range* • 0 to 40 Watts
- Ripple and Noise* • 1% peak to peak max.
- Overvoltage Protection:* • Provided on output #1 only;
set at 112-132% of its nominal
output voltage
- Overcurrent Protection:* • All outputs protected to short
circuit conditions
- Temperature coefficient:* • All outputs $\pm 0.04\%/^{\circ}\text{C}$
maximum

General

- Efficiency* • 65% minimum at 40 watt output
- Hold-up time* • 10 msec minimum
- Line Regulation* • $\pm 0.5\%$ maximum at full load
- Inrush Current* • 15A at 115 VAC or
30A at 240 VAC at 25°C cold start
- Withstand Voltage* • 3000 VAC from input to output
1500 VAC from input to ground
- Insulation Resistance* • 10 Mohm minimum from
output to ground

Environmental

- Operating Temperature* • 0°C to +70°C*
- Storage Temperature* • -40°C to +85°C
- MTBF* • 100,000 hours minimum at full load
at 25°C ambient
- EMI Requirement* • Meets the conducted limits of
a) FCC 20780 Level B
b) CISPR 22 (EN 55022) Level B
- Safety Requirements* • Approved to:
a) UL 1950
b) CSA 22.2 #234
c) TUV per EN60950 (IEC 950)

* Derate linearly from 100% load at 50°C to 50% load at 70°C



OUTPUT VOLTAGE & CURRENT RATINGS

PU40

Model	Output #1				Output #2				Output #3				Maximum Output Power
	Vnom	Imin	Imax	Tol.	Vnom	Imin	Imax	Tol.	Vnom	Imin	Imax	Tol.	
PU40-10SL	5 V	0.0 A	8.0 A	2%									40 W
PU40-12SL	12 V	0.0 A	3.5 A	1%									40 W
PU40-13SL	15 V	0.0 A	3.0 A	1%									40 W
PU40-14SL	24 V	0.0 A	2.0 A	1%									40 W
PU40-23SL	+5 V	0.5 A	3.0 A	3%	+12 V	0.2 A	2.0 A	5%					40 W
PU40-24SL	+5 V	0.5 A	3.0 A	3%	+15 V	0.2 A	2.0 A	5%					40 W
PU40-25SL	+5 V	0.5 A	3.0 A	3%	+24 V	0.1 A	1.0 A	5%					40 W
PU40-30SL	+5 V	0.5 A	3.0 A	3%	+12 V	0.2 A	2.0 A	5%	-5 V	0.05A	0.3 A	10%	40 W
PU40-31SL	+5 V	0.5 A	3.0 A	3%	+12 V	0.2 A	2.0 A	5%	-12 V	0.05A	0.3 A	10%	40 W
PU40-32SL	+5 V	0.5 A	3.0 A	3%	+15 V	0.2 A	2.0 A	5%	-15 V	0.05A	0.3 A	10%	40 W
PU40-33SL	+5 V	0.5 A	3.0 A	3%	+15 V	0.2 A	2.0 A	5%	-12 V	0.05A	0.3 A	10%	40 W
PU40-39SL	+5 V	0.5 A	3.0 A	3%	+24 V	0.1 A	1.0 A	5%	-12 V	0.05A	0.3 A	10%	40 W

Notes

All multi-output units may be operated at no-load without damage. At no-load, output tolerance increases to 10%.

Pin Chart

Model	1	2	3	4	5	6
PU40-10SL, PU40-12SL PU40-13SL, PU40-14SL	OUTPUT #1	OUTPUT #1	OUTPUT #1	RETURN	RETURN	RETURN
PU40-23SL, PU40-24SL PU40-25SL	OUTPUT #2	OUTPUT #1	OUTPUT #1	COMMON RETURN	COMMON RETURN	N.C.
PU40-30SL, PU40-31SL PU40-32SL, PU40-33SL PU40-39SL	OUTPUT #2	OUTPUT #1	OUTPUT #1	COMMON RETURN	COMMON RETURN	OUTPUT #3

Mechanical Details

