

**Series PVD33**

Microelectronic

Power IC Relay

Single-Pole, 220mA, 0-300V DC

**General Description**

The Photovoltaic DC Relay (PVD) is a single-pole, normally open solid state replacement for electro-mechanical relays used for general purpose switching of analog signals. It utilizes as an output switch a unique bidirectional (AC or DC) MOSFET power IC termed a BOSFET. The BOSFET is controlled by a photovoltaic generator of novel construction, which is energized by radiation from a dielectrically isolated light emitting diode (LED).

The PVD overcomes the limitations of both conventional and reed electromechanical relays by offering the solid state advantages of long life, high operating speed, low pick-up power, bounce-free operation, low thermal voltages and miniaturization. These advantages allow product improvement and design innovations in many applications such as process control, multiplexing, telecommunications, automatic test equipment and data acquisition.

The PVD can switch analog signals from thermocouple level to 300 volts peak DC. Signal frequencies into the RF range are easily controlled and switching rates up to 6kHz are achievable. The extremely small thermally generated offset voltages allow increased measurement accuracies.

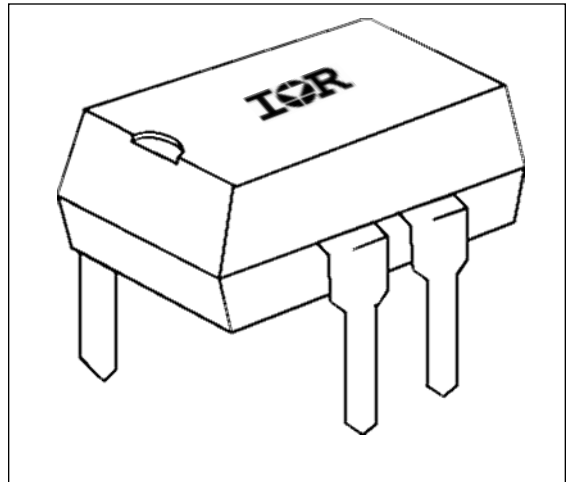
Unique silicon technology developed by International Rectifier forms the heart of the PVD. The monolithic BOSFET contains a bidirectional N-channel power MOSFET output structure. In addition, this power IC chip has input circuitry for fast turn-off and gate protection functions. This section of the BOSFET chip utilizes both bipolar and MOS technology to form NPN transistors, P-channel MOSFETs, resistors, diodes and capacitors.

The photovoltaic generator similarly utilizes a unique International Rectifier alloyed multijunction structure. The excellent current conversion efficiency of this technique results in the very fast response of the PVD microelectronic power IC relay.

This advanced semiconductor technology has created a radically new control device. Designers can now develop switching systems to new standards of electrical performance and mechanical compactness.

**PVD33 Features**

- BOSFET Power IC ■
- 10<sup>10</sup> Operations ■
- 100µsec Operating Time ■
- 3 milliwatts Pick-Up Power ■
- 1000V/µsec dv/dt ■
- Bounce-Free ■
- 8-pin DIP Package ■
- 40°C to 85°C ■
- UL recognized ■



**Part Identification**

Part Number	Operating Voltage (DC)	Sensitivity	Off-State Resistance
PVD2352	200V	5 mA	10 <sup>8</sup> Ohms
PVD3354	300V		10 <sup>10</sup> Ohms

*(BOSFET is a trademark of International Rectifier)*

# Series PVD33 — BOSFET® Photovoltaic Relay

**Electrical Specifications** ( $-40^{\circ}\text{C} \leq T_A \leq +85^{\circ}\text{C}$  unless otherwise specified)

INPUT CHARACTERISTICS	PVD2352	PVD3354	Units
Minimum Control Current (see figures 1 and 2) For 160mA Continuous Load Current For 200mA Continuous Load Current For 90mA Continuous Load Current	2.0 5.0 5.0		DC mA@25°C mA@40°C mA@85°C
Maximum Control Current for Off-State Resistance at 25°C	10		μA(DC)
Control Current Range (Caution: current limit input LED. See figure 6)	2.0 to 25		mA(DC)
Maximum Reverse Voltage	7.0		V(DC)

OUTPUT CHARACTERISTICS	PVD2352	PVD3354	Units
Operating Voltage Range	200	300	V <sub>(peak)</sub>
Maximum Load Current 40°C (see figures 1 and 2)	220		mA(DC)
Response Time @25°C (see figures 7 and 8) Max. T <sub>(on)</sub> @ 12mA Control, 50 mA Load, 100 VDC Max. T <sub>(off)</sub> @ 12mA Control, 50 mA Load, 100 VDC	100 50		μs μs
Max. On-state Resistance 25°C (Pulsed) (fig. 4) 50 mA Load, 5mA Control	6		Ω
Min. Off-state Resistance 25°C (see figure 5)	10 <sup>8</sup> @ 160VDC	10 <sup>10</sup> @ 240VDC	Ω
Max. Thermal Offset Voltage @ 5.0mA Control	0.2		μvolts
Min. Off-State dv/dt	1000		V/μs
Output Capacitance (see figure 9)	20		pF @ 50VDC

GENERAL CHARACTERISTICS (PVD2352 and PVD3354)		Units
Dielectric Strength: Input-Output	2500	V <sub>RMS</sub>
Insulation Resistance: Input-Output @ 90V <sub>DC</sub>	10 <sup>12</sup> @ 25°C - 50% RH	Ω
Maximum Capacitance: Input-Output	1.0	pF
Max. Pin Soldering Temperature (1.6mm below seating plane, 10 seconds max.)	+260	°C
Ambient Temperature Range:	Operating Storage	

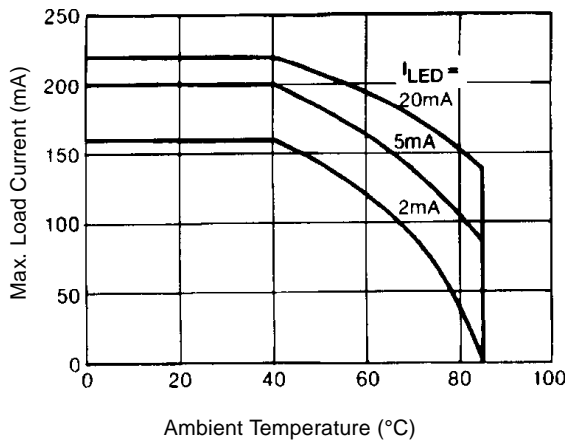


Figure 1. Current Derating Curves

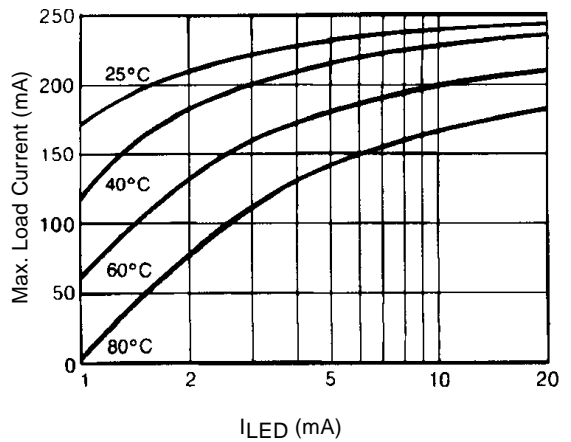


Figure 2. Typical Control Current Requirements

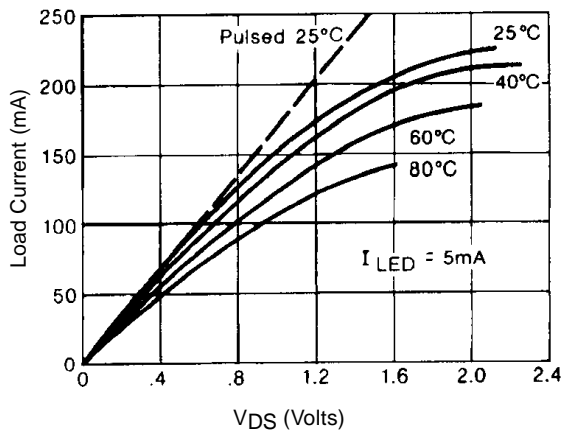


Figure 3. Typical On Characteristics

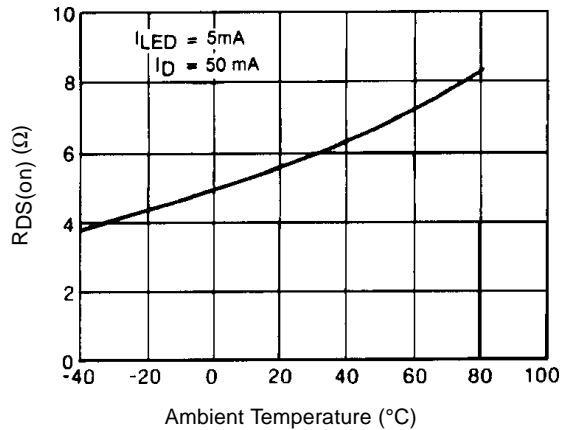


Figure 4. Typical On-Resistance

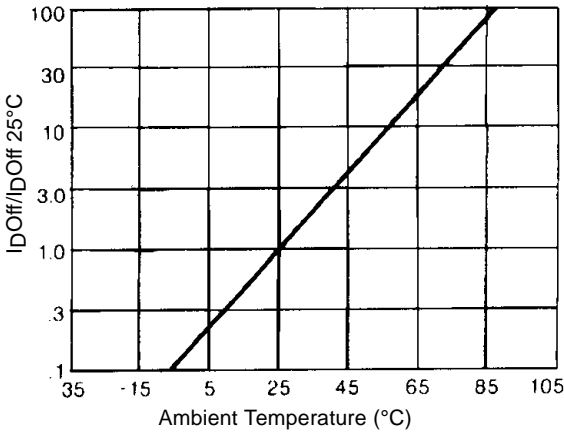


Figure 5. Normalized Off-State Leakage

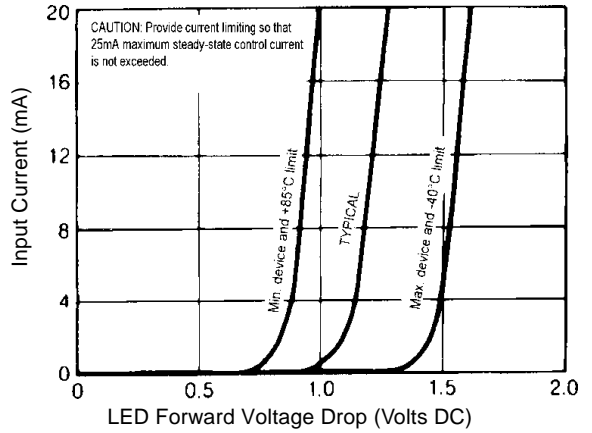


Figure 6. Input Characteristics (Current Controlled)

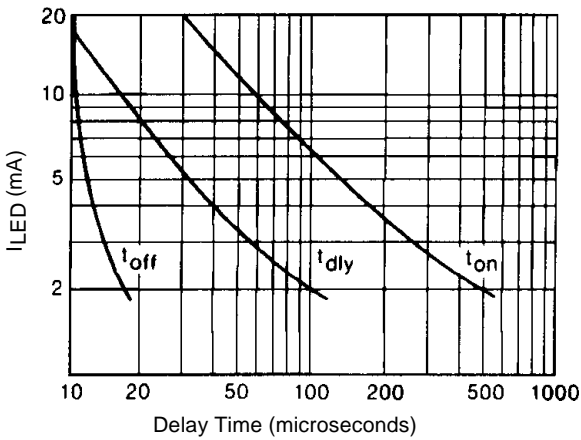


Figure 7. Typical Delay Times

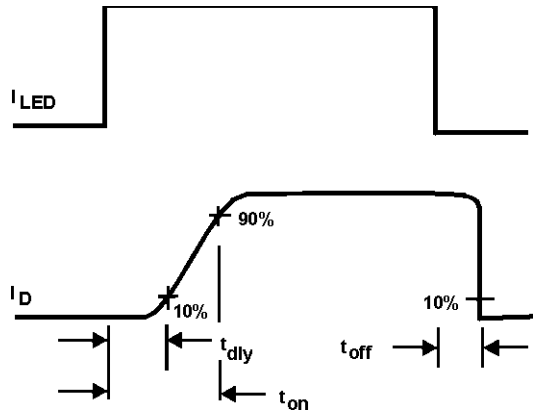
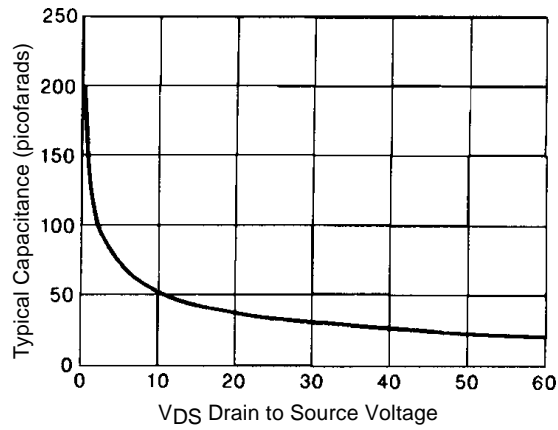
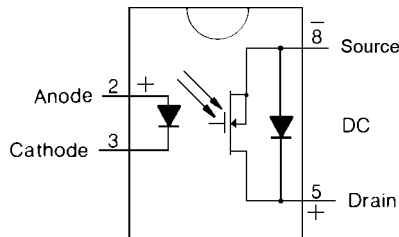


Figure 8. Delay Time Definitions



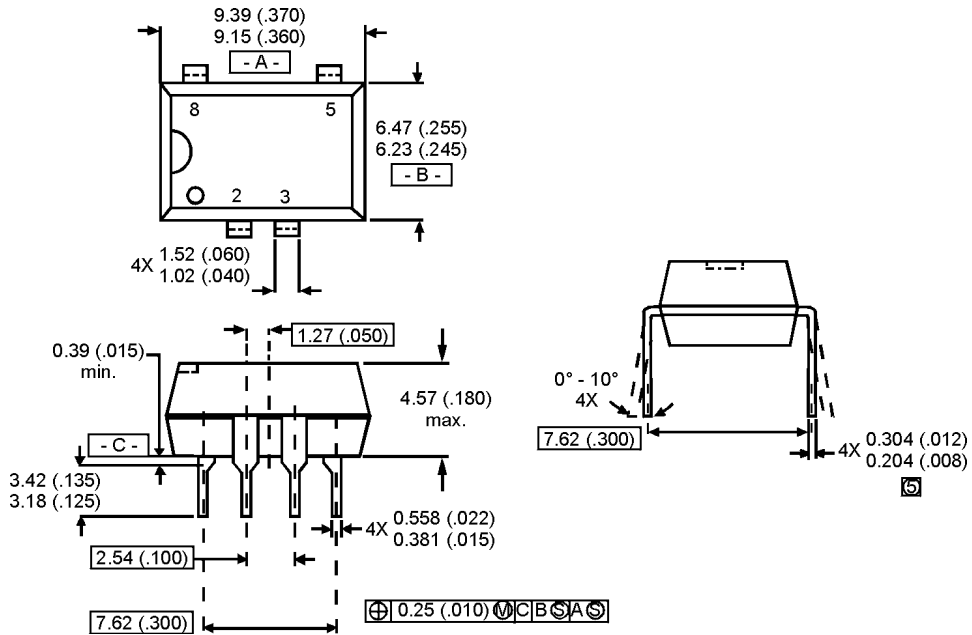
**Figure 9. Typical Output Capacitance**

## Wiring Diagram



**Case Outline**

(Dimensions in millimeters (inches))



**Mechanical Specifications:**

- Package: 8-pin DIP
- Tolerances: .015 (.38) unless otherwise specified
- Case Material: molded epoxy
- Weight: .07 oz. (2 gr.)

**WORLD HEADQUARTERS:** 233 Kansas St., El Segundo, California 90245, Tel: (310) 322 3331  
**EUROPEAN HEADQUARTERS:** Hurst Green, Oxted, Surrey RH8 9BB, UK Tel: ++ 44 1883 713215  
**IR CANADA:** 7321 Victoria Park Ave., Suite 201, Markham, Ontario L3R 2Z8, Tel: (905) 475 1897  
**IR GERMANY:** Saalburgstrasse 157, 61350 Bad Homburg Tel: ++ 49 6172 96590  
**IR ITALY:** Via Liguria 49, 10071 Borgaro, Torino Tel: ++ 39 11 451 0111

**IR FAR EAST:** K&H Bldg., 2F, 3-30-4 Nishi-Ikeburo 3-Chome, Toshima-Ku, Tokyo, Japan 171 Tel: ++ 81 3 3983 0641  
**IR SOUTHEAST ASIA:** 315 Outram Road, #10-02 Tan Boon Liat Building, Singapore 0316 Tel: ++ 65 221 8371