

H11L1X, H11L2X, H11L3X, H11L4X
H11L1, H11L2, H11L3, H11L4



**MICROPROCESSOR COMPATIBLE
SCHMITT TRIGGER OPTICALLY
COUPLED ISOLATOR**

APPROVALS

- UL recognised, File No. E91231
- 'X' SPECIFICATION APPROVALS
- VDE 0884 in 2 available lead forms : -
- STD
- G form

DESCRIPTION

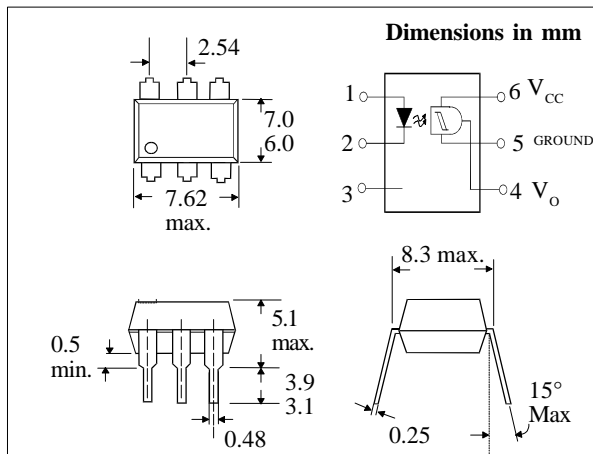
The H11L1, 2, 3, 4 series are optically coupled isolators consisting of a Gallium Arsenide infrared emitting diode and a Microprocessor Compatible Schmitt trigger output mounted in a standard 6 pin dual in line package.

FEATURES

- Options :-
10mm lead spread - add G after part no.
Surface mount - add SM after part no.
Tape&reel - add SMT&R after part no.
- High data rate, 1MHz typical (NRZ)
- Microprocessor compatible drive
- Logic compatible output sinks 16 milliamperes at 0.4 volts maximum
- High Isolation Voltage (5.3kV_{RMS}, 7.5kV_{PK})
- High common mode rejection ratio
- Fast switching : t_{rise} , t_{fall} = 100ns typical
- Wide supply voltage capability, compatible with all popular logic systems
- Guaranteed On / Off threshold hysteresis

APPLICATIONS

- Logic to logic isolator
- Line receiver-eliminates noise and transient problems
- Programmable current level sensor
- AC to TTL conversion - square wave shaping
- Digital programming of power supplies
- Interfaces computers with peripherals



**ABSOLUTE MAXIMUM RATINGS
(25°C unless otherwise specified)**

Storage Temperature _____ -55°C to + 150°C
Operating Temperature _____ -55°C to + 100°C
Lead Soldering Temperature
(1/16 inch (1.6mm) from case for 10 secs) 260°C

INPUT DIODE

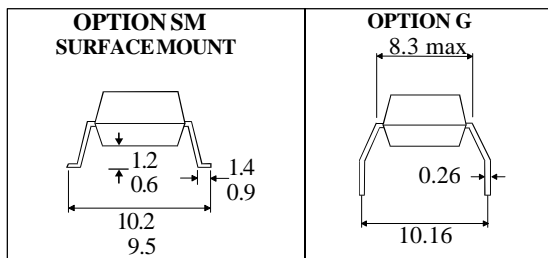
Forward Current _____ 60mA
Reverse Voltage _____ 6V
Power Dissipation _____
(derate linearly 1.33mW / °C above 25°C) 105mW

OUTPUT DETECTOR

V₄₅ allowed range _____ 0 to 16V
V₆₅ allowed range _____ 0 to 16V
I₄ output current _____ 50mA
Power Dissipation _____
(derate linearly 2mW / °C above 25°C) 150mW

POWER DISSIPATION

Total Power Dissipation _____
(derate linearly 2.27mW/ °C above 25°C) 170mW



ISOCOM COMPONENTS LTD
Unit 25B, Park View Road West,
Park View Industrial Estate, Brenda Road
Hartlepool, Cleveland, TS25 1YD
Tel: (01429) 863609 Fax :(01429) 863581

ISOCOM INC
1024 S. Greenville Ave, Suite 240,
Allen, TX 75002 USA
Tel: (214) 495-0755 Fax: (214) 495-0901
e-mail info@isocom.com
http://www.isocom.com

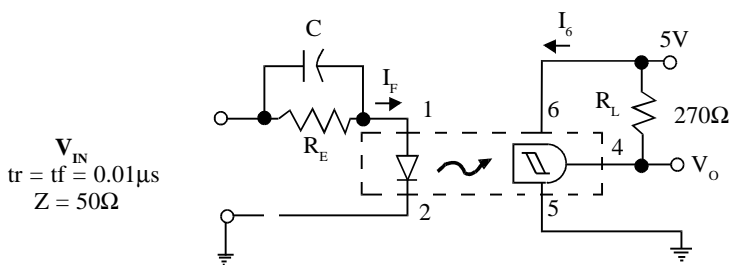
ELECTRICAL CHARACTERISTICS ($T_A = 25^\circ\text{C}$ Unless otherwise noted)

PARAMETER		MIN	TYP	MAX	UNITS	TEST CONDITION
Input	Forward Voltage (V_F)	0.75			V	$I_F = 0.3\text{mA}$ $I_F = 10\text{mA}$ $V_R = 3\text{V}$ $V = 0, f = 1\text{MHz}$
	Forward Voltage (V_F)			1.5	V	
	Reverse Current (I_R)			10	μA	
	Capacitance (C_j)			100	pF	
Output	Operating Voltage Range (V_{CC})	3		15	V	$I_F = 0\text{mA}, V_{CC} = 5\text{V}$ $I_F = 0\text{mA}, V_{CC} = V_o = 15\text{V}$
	Supply Current I_o (off)		1	5	mA	
	Output Current High (I_{OH})			100	μA	
Coupled	Supply Current I_o (on)		1.6	5	mA	$I_F = 10\text{mA}, V_{CC} = 5\text{V}$ $R_L = 270\Omega, V_{CC} = 5\text{V}$
	Output Voltage, Low (V_{OL})			0.4	V	
	Turn-on Threshold Current I_F (on)					
	H11L1			1.6	mA	$R_L = 270\Omega, V_{CC} = 5\text{V}$
	H11L2			10	mA	$R_L = 270\Omega, V_{CC} = 5\text{V}$
	H11L3			5	mA	$R_L = 270\Omega, V_{CC} = 5\text{V}$
	H11L4			2	mA	$R_L = 270\Omega, V_{CC} = 5\text{V}$
	Turn-off Threshold Current I_F (off)	0.3			mA	$R_L = 270\Omega, V_{CC} = 5\text{V}$
	Hysteresis Ratio I_F (off) / I_F (on)	0.5	0.9			$R_L = 270\Omega, V_{CC} = 5\text{V}$
	Input to Output Isolation Voltage V_{ISO}	5300			V_{RMS}	See note 1
		7500			V_{PK}	See note 1
	Turn-on Time	t_{on}	0.57		μs	$R_E = 1200\Omega$
	Fall Time	t_f	0.09		μs	$C = 270\text{pF}$
Turn-off Time	t_{off}	1.40		μs	$f \leq 100\text{kHz}$	
Rise Time	t_r	0.05		μs	$tp = 1\mu\text{s}$ or greater	

Note 1 Measured with input leads shorted together and output leads shorted together.

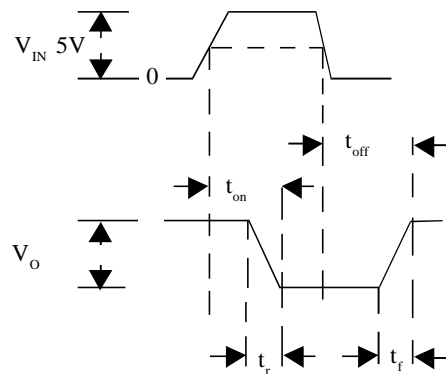
Note 2 Special Selections are available on request. Please consult the factory.

SWITCHING CHARACTERISTICS

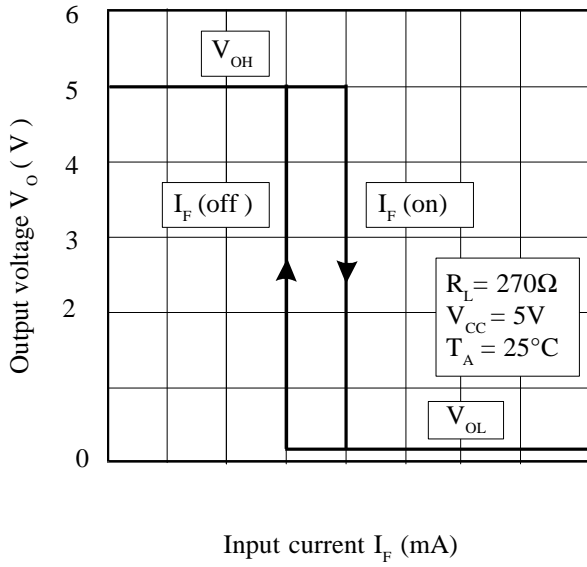


V_{IN}
 $t_r = t_f = 0.01\mu\text{s}$
 $Z = 50\Omega$

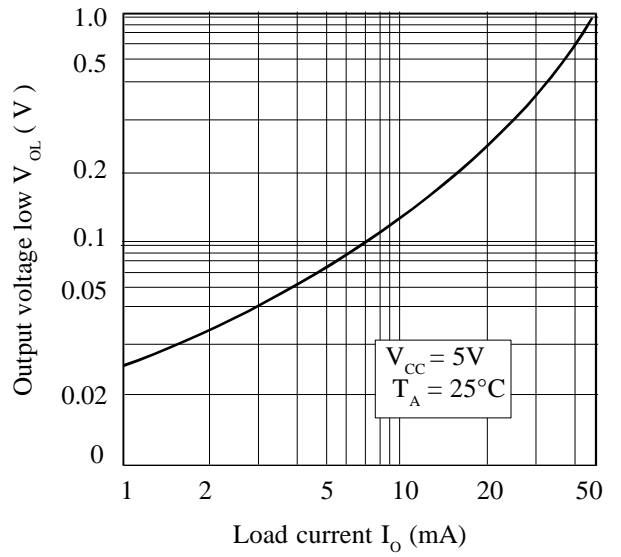
SWITCHING TEST CIRCUIT



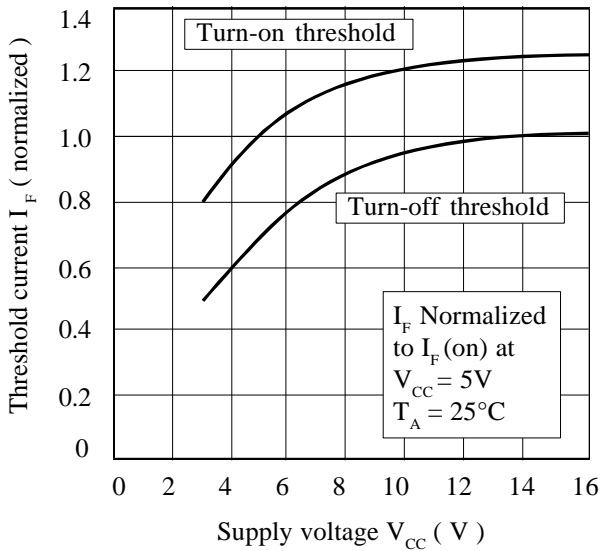
Transfer Characteristics



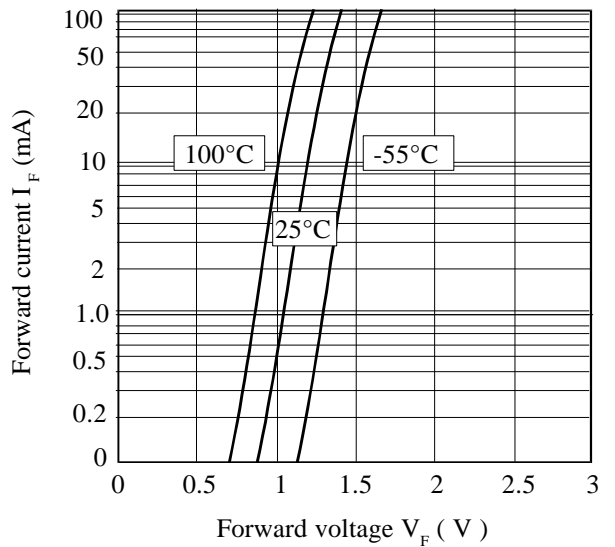
On Voltage vs. Load Current



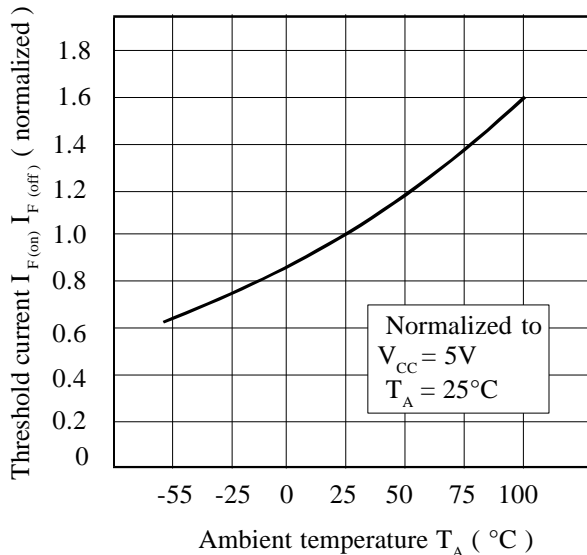
Threshold Current vs. Supply Voltage



Forward Voltage vs. Forward Current



Threshold Current vs. Ambient Temperature



Supply Current vs. Supply Voltage

