

# IS41C16257 IS41LV16257



## 256K x 16 (4-MBIT) DYNAMIC RAM WITH FAST PAGE MODE

MAY 1999

### FEATURES

- Fast access and cycle time
- TTL compatible inputs and outputs
- Refresh Interval: 512 cycles/8 ms
- Refresh Mode:  $\overline{\text{RAS}}$ -Only,  $\overline{\text{CAS}}$ -before- $\overline{\text{RAS}}$  (CBR), and Hidden
- JEDEC standard pinout
- Single power supply:
  - 5V  $\pm$  10% (IS41C16257)
  - 3.3V  $\pm$  10% (IS41LV16257)
- Byte Write and Byte Read operation via two  $\overline{\text{CAS}}$
- Industrial temperature available

### DESCRIPTION

The *ISSI* IS41C16257 and the IS41LV16257 are 262,144 x 16-bit high-performance CMOS Dynamic Random Access Memories. Fast Page Mode allows 512 random accesses within a single row with access cycle time as short as 12 ns per 16-bit word. The Byte Write control, of upper and lower byte, makes these devices ideal for use in 16- and 32-bit wide data bus systems.

These features make the IS41C16257 and the IS41LV16257 ideally suited for high band-width graphics, digital signal processing, high-performance computing systems, and peripheral applications.

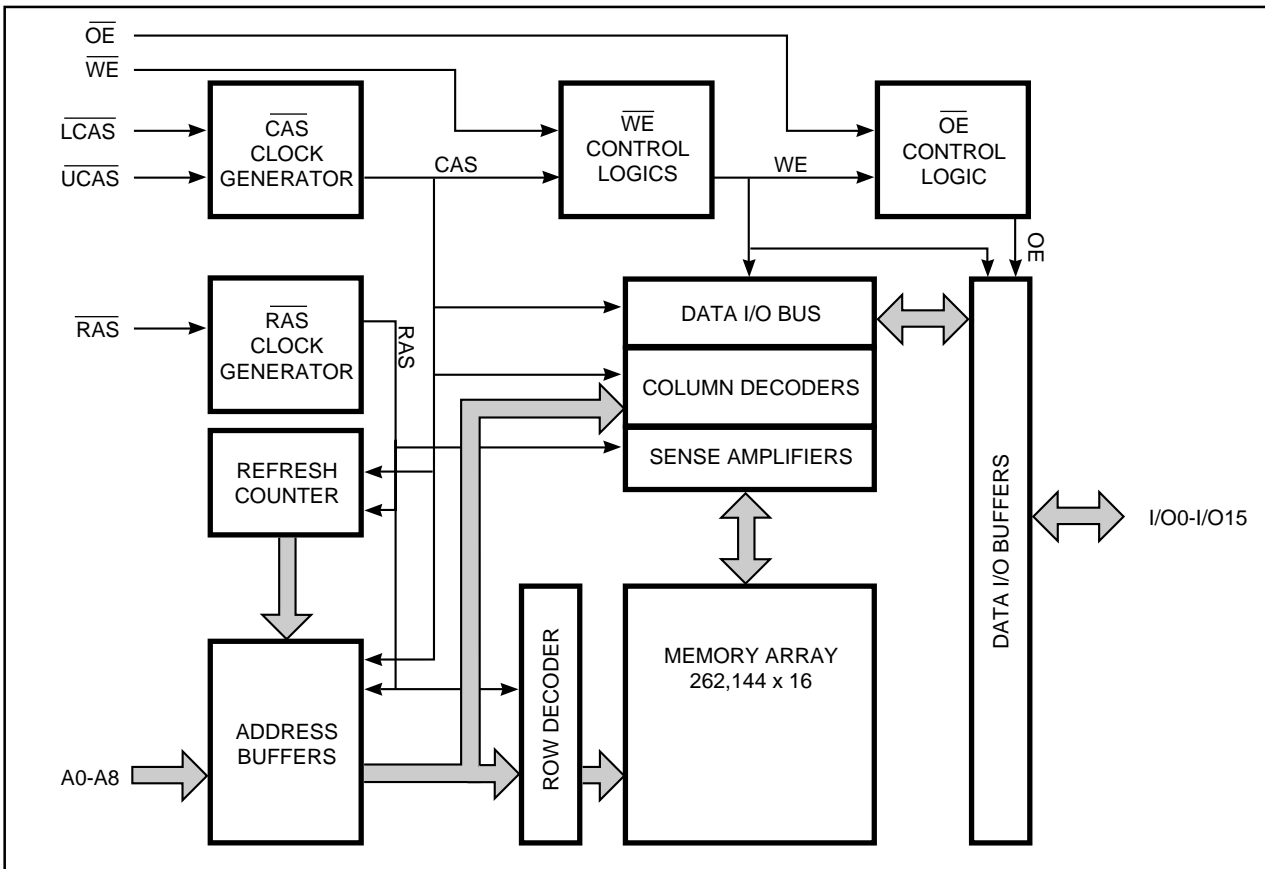
The IS41C16257 and the IS41LV16257 are packaged in a 40-pin, 400-mil SOJ and TSOP (Type II).

### KEY TIMING PARAMETERS

| Parameter   | -35 | -60 | Unit |
|---|-----|-----|------|
| Max. $\overline{\text{RAS}}$ Access Time ( $t_{\text{RAC}}$ ) | 35  | 60  | ns   |
| Max. $\overline{\text{CAS}}$ Access Time ( $t_{\text{CAC}}$ ) | 10  | 15  | ns   |
| Max. Column Address Access Time ( $t_{\text{AA}}$ )           | 18  | 30  | ns   |
| Min. Fast Page Mode Cycle Time ( $t_{\text{PC}}$ )            | 12  | 25  | ns   |
| Min. Read/Write Cycle Time ( $t_{\text{RC}}$ )                | 60  | 110 | ns   |

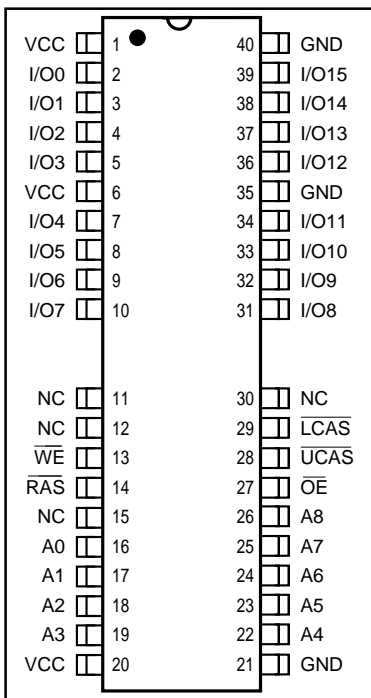
ISSI reserves the right to make changes to its products at any time without notice in order to improve design and supply the best possible product. We assume no responsibility for any errors which may appear in this publication. © Copyright 1999, Integrated Silicon Solution, Inc.

**FUNCTIONAL BLOCK DIAGRAM**

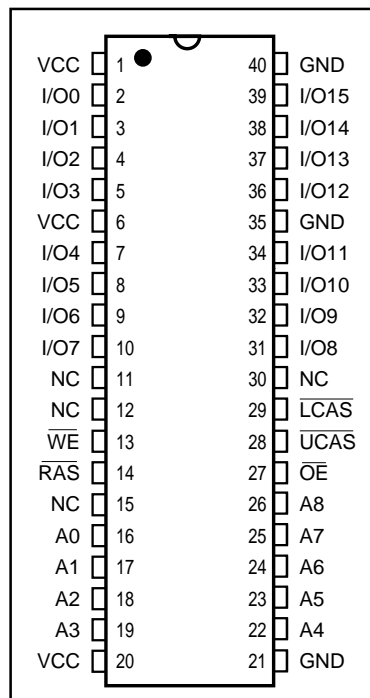


**PIN CONFIGURATIONS**

**40-Pin TSOP (Type II)**



**40-Pin SOJ**



**PIN DESCRIPTIONS**

|                   |                             |
|-------------------|-----------------------------|
| A0-A8             | Address Inputs              |
| I/O0-I/O15        | Data Inputs/Outputs         |
| $\overline{WE}$   | Write Enable                |
| $\overline{OE}$   | Output Enable               |
| RAS               | Row Address Strobe          |
| UCAS              | Upper Column Address Strobe |
| $\overline{LCAS}$ | Lower Column Address Strobe |
| Vcc               | Power                       |
| GND               | Ground                      |
| NC                | No Connection               |

TRUTH TABLE

| Function                        | $\overline{\text{RAS}}$ | $\overline{\text{LCAS}}$ | $\overline{\text{UCAS}}$ | $\overline{\text{WE}}$ | $\overline{\text{OE}}$ | Address tr/tc | I/O                                    |      |
|---------------------------------|-------------------------|--------------------------|--------------------------|------------------------|------------------------|---------------|--|------|
| Standby                         | H                       | H                        | H                        | X                      | X                      | X             | High-Z                                 |      |
| Read: Word                      | L                       | L                        | L                        | H                      | L                      | ROW/COL       | DOUT                                   |      |
| Read: Lower Byte                | L                       | L                        | H                        | H                      | L                      | ROW/COL       | Lower Byte, DOUT<br>Upper Byte, High-Z |      |
| Read: Upper Byte                | L                       | H                        | L                        | H                      | L                      | ROW/COL       | Lower Byte, High-Z<br>Upper Byte, DOUT |      |
| Write: Word (Early Write)       | L                       | L                        | L                        | L                      | X                      | ROW/COL       | DIN                                    |      |
| Write: Lower Byte (Early Write) | L                       | L                        | H                        | L                      | X                      | ROW/COL       | Lower Byte, DIN<br>Upper Byte, High-Z  |      |
| Write: Upper Byte (Early Write) | L                       | H                        | L                        | L                      | X                      | ROW/COL       | Lower Byte, High-Z<br>Upper Byte, DIN  |      |
| Read-Write <sup>(1,2)</sup>     | L                       | L                        | L                        | H→L                    | L→H                    | ROW/COL       | DOUT, DIN                              |      |
| Hidden Refresh <sup>2)</sup>    | Read                    | L→H→L                    | L                        | L                      | H                      | L             | ROW/COL                                | DOUT |
|                                 | Write                   | L→H→L                    | L                        | L                      | L                      | X             | ROW/COL                                | DOUT |
| RAS-Only Refresh                | L                       | H                        | H                        | X                      | X                      | ROW/NA        | High-Z                                 |      |
| CBR Refresh <sup>(3)</sup>      | H→L                     | L                        | L                        | X                      | X                      | X             | High-Z                                 |      |

**Notes:**

1. These WRITE cycles may also be BYTE WRITE cycles (either  $\overline{\text{LCAS}}$  or  $\overline{\text{UCAS}}$  active).
2. These READ cycles may also be BYTE READ cycles (either  $\overline{\text{LCAS}}$  or  $\overline{\text{UCAS}}$  active).
3. At least one of the two CAS signals must be active ( $\overline{\text{LCAS}}$  or  $\overline{\text{UCAS}}$ ).

## FUNCTIONAL DESCRIPTION

The IS41C16257 and the IS41LV16257 are CMOS DRAMs optimized for high-speed bandwidth, low-power applications. During READ or WRITE cycles, each bit is uniquely addressed through the 18 address bits. These are entered nine bits (A0-A8) at a time. The row address is latched by the Row Address Strobe ( $\overline{RAS}$ ). The column address is latched by the Column Address Strobe ( $\overline{CAS}$ ).  $\overline{RAS}$  is used to latch the first nine bits and  $\overline{CAS}$  is used to latch the latter nine bits.

The IS41C16257 and the IS41LV16257 has two  $\overline{CAS}$  controls,  $\overline{LCAS}$  and  $\overline{UCAS}$ . The  $\overline{LCAS}$  and  $\overline{UCAS}$  inputs internally generate a  $\overline{CAS}$  signal functioning in an identical manner to the single  $\overline{CAS}$  input on the other 256K x 16 DRAMs. The key difference is that each  $\overline{CAS}$  controls its corresponding I/O tristate logic (in conjunction with  $\overline{OE}$  and  $\overline{WE}$  and  $\overline{RAS}$ ).  $\overline{LCAS}$  controls I/O0 - I/O7 and  $\overline{UCAS}$  controls I/O8 - I/O15.

The IS41C16257 and the IS41LV16257  $\overline{CAS}$  function is determined by the first  $\overline{CAS}$  ( $\overline{LCAS}$  or  $\overline{UCAS}$ ) transitioning LOW and the last transitioning back HIGH. The two  $\overline{CAS}$  controls give the IS41C16257 both BYTE READ and BYTE WRITE cycle capabilities.

### Memory Cycle

A memory cycle is initiated by bringing  $\overline{RAS}$  LOW and it is terminated by returning both  $\overline{RAS}$  and  $\overline{CAS}$  HIGH. To ensure proper device operation and data integrity any memory cycle, once initiated, must not be ended or aborted before the minimum  $t_{RAS}$  time has expired. A new cycle must not be initiated until the minimum precharge time  $t_{RP}$ ,  $t_{CP}$  has elapsed.

### Read Cycle

A read cycle is initiated by the falling edge of  $\overline{CAS}$  or  $\overline{OE}$ , whichever occurs last, while holding  $\overline{WE}$  HIGH. The column address must be held for a minimum time specified by  $t_{AR}$ . Data Out becomes valid only when  $t_{RAC}$ ,  $t_{AA}$ ,  $t_{CAC}$  and  $t_{OEA}$  are all satisfied. As a result, the access time is dependent

on the timing relationships between these parameters.

### Write Cycle

A write cycle is initiated by the falling edge of  $\overline{CAS}$  and  $\overline{WE}$ , whichever occurs last. The input data must be valid at or before the falling edge of  $\overline{CAS}$  or  $\overline{WE}$ , whichever occurs last.

### Refresh Cycle

To retain data, 512 refresh cycles are required in each 8 ms period. There are two ways to refresh the memory:

1. By clocking each of the 512 row addresses (A0 through A8) with  $\overline{RAS}$  at least once every 8 ms. Any read, write, read-modify-write or  $\overline{RAS}$ -only cycle refreshes the addressed row.
2. Using a  $\overline{CAS}$ -before- $\overline{RAS}$  refresh cycle.  $\overline{CAS}$ -before- $\overline{RAS}$  refresh is activated by the falling edge of  $\overline{RAS}$ , while holding  $\overline{CAS}$  LOW. In  $\overline{CAS}$ -before- $\overline{RAS}$  refresh cycle, an internal 9-bit counter provides the row addresses and the external address inputs are ignored.

$\overline{CAS}$ -before- $\overline{RAS}$  is a refresh-only mode and no data access or device selection is allowed. Thus, the output remains in the High-Z state during the cycle.

### Power-On

After application of the  $V_{CC}$  supply, an initial pause of 200  $\mu$ s is required followed by a minimum of eight initialization cycles (any combination of cycles containing a  $\overline{RAS}$  signal).

During power-on, it is recommended that  $\overline{RAS}$  track with  $V_{CC}$  or be held at a valid  $V_{IH}$  to avoid current surges.

**ABSOLUTE MAXIMUM RATINGS<sup>(1)</sup>**

| Symbol           | Parameters                         |      | Rating       | Unit |
|------------------|------------------------------------|------|--------------|------|
| V <sub>T</sub>   | Voltage on Any Pin Relative to GND | 5V   | -1.0 to +7.0 | V    |
|                  |                                    | 3.3V | -0.5 to +4.6 |      |
| V <sub>CC</sub>  | Supply Voltage                     | 5V   | -1.0 to +7.0 | V    |
|                  |                                    | 3.3V | -0.5 to +4.6 |      |
| I <sub>OUT</sub> | Output Current                     |      | 50           | mA   |
| P <sub>D</sub>   | Power Dissipation                  |      | 1            | W    |
| T <sub>A</sub>   | Operation Temperature              | Com. | 0 to 70      | °C   |
|                  |                                    | Ind. | -40 to +85   |      |
| T <sub>STG</sub> | Storage Temperature                |      | -55 to +125  | °C   |

**Note:**

1. Stress greater than those listed under ABSOLUTE MAXIMUM RATINGS may cause permanent damage to the device. This is a stress rating only and functional operation of the device at these or any other conditions above those indicated in the operational sections of this specification is not implied. Exposure to absolute maximum rating conditions for extended periods may affect reliability.

**RECOMMENDED OPERATING CONDITIONS** (Voltages are referenced to GND)

| Symbol          | Parameter           | Voltage | Min. | Typ. | Max.                  | Unit |
|-----------------|---------------------|---------|------|------|-----------------------|------|
| V <sub>CC</sub> | Supply Voltage      | 5V      | 4.5  | 5.0  | 5.5                   | V    |
| V <sub>CC</sub> | Supply Voltage      | 3.3V    | 3.0  | 3.3  | 3.6                   | V    |
| V <sub>IH</sub> | Input High Voltage  | 5V      | 2.4  | —    | V <sub>CC</sub> + 1.0 | V    |
| V <sub>IH</sub> | Input High Voltage  | 3.3V    | 2.0  | —    | V <sub>CC</sub> + 0.3 | V    |
| V <sub>IL</sub> | Input Low Voltage   | 5V      | -1.0 | —    | 0.8                   | V    |
| V <sub>IL</sub> | Input Low Voltage   | 3.3     | -0.3 | —    | 0.8                   | V    |
| T <sub>A</sub>  | Ambient Temperature | Com.    | 0    | —    | 70                    | °C   |
|                 |                     | Ind.    | -40  | —    | 85                    |      |

**CAPACITANCE<sup>(1,2)</sup>**

| Symbol           | Parameter   | Max. | Unit |
|------------------|---|------|------|
| C <sub>IN1</sub> | Input Capacitance: A0-A8  | 5    | pF   |
| C <sub>IN2</sub> | Input Capacitance: $\overline{RAS}$ , $\overline{UCAS}$ , $\overline{LCAS}$ , $\overline{WE}$ , $\overline{OE}$ | 7    | pF   |
| C <sub>IO</sub>  | Data Input/Output Capacitance: I/O0-I/O15   | 7    | pF   |

**Notes:**

1. Tested initially and after any design or process changes that may affect these parameters.
2. Test conditions: T<sub>A</sub> = 25°C, f = 1 MHz, V<sub>CC</sub> = 5.0V ± 10% or V<sub>CC</sub> = 3.3V ± 10%.

**ELECTRICAL CHARACTERISTICS<sup>(1)</sup>** (Recommended Operation Conditions unless otherwise noted.)

| Symbol           | Parameter   | Test Condition   | Speed                  | Min. | Max.       | Unit |
|------------------|---|--|------------------------|------|------------|------|
| I <sub>IL</sub>  | Input Leakage Current   | Any input $0V \leq V_{IN} \leq V_{CC}$<br>Other inputs not under test = 0V   |                        | -10  | 10         | μA   |
| I <sub>IO</sub>  | Output Leakage Current  | Output is disabled (Hi-Z)<br>$0V \leq V_{OUT} \leq V_{CC}$   |                        | -10  | 10         | μA   |
| V <sub>OH</sub>  | Output High Voltage Level   | I <sub>OH</sub> = -2.5 mA  |                        | 2.4  | —          | V    |
| V <sub>OL</sub>  | Output Low Voltage Level  | I <sub>OL</sub> = 2.1 mA   |                        | —    | 0.4        | V    |
| I <sub>CC1</sub> | Stand-by Current: TTL   | $\overline{RAS}, \overline{LCAS}, \overline{UCAS} \geq V_{IH}$   | Com. 5V<br>Ind. 5V     | —    | 2<br>3     | mA   |
| I <sub>CC1</sub> | Stand-by Current: TTL   | $\overline{RAS}, \overline{LCAS}, \overline{UCAS} \geq V_{IH}$   | Com. 3.3V<br>Ind. 3.3V | —    | 1<br>2     | mA   |
| I <sub>CC2</sub> | Stand-by Current: CMOS  | $\overline{RAS}, \overline{LCAS}, \overline{UCAS} \geq V_{CC} - 0.2V$  | 5V                     | —    | 2          | mA   |
| I <sub>CC2</sub> | Stand-by Current: CMOS  | $\overline{RAS}, \overline{LCAS}, \overline{UCAS} \geq V_{CC} - 0.2V$  | 3.3V                   | —    | 1          | mA   |
| I <sub>CC3</sub> | Operating Current:<br>Random Read/Write <sup>(2,3,4)</sup><br>Average Power Supply Current  | $\overline{RAS}, \overline{LCAS}, \overline{UCAS}$ ,<br>Address Cycling, t <sub>RC</sub> = t <sub>RC</sub> (min.)    | -35<br>-60             | —    | 230<br>170 | mA   |
| I <sub>CC4</sub> | Operating Current:<br>Fast Page Mode <sup>(2,3,4)</sup><br>Average Power Supply Current     | $\overline{RAS} = V_{IL}, \overline{LCAS}, \overline{UCAS}$ ,<br>Cycling t <sub>PC</sub> = t <sub>PC</sub> (min.)    | -35<br>-60             | —    | 220<br>160 | mA   |
| I <sub>CC5</sub> | Refresh Current:<br>$\overline{RAS}$ -Only <sup>(2,3)</sup><br>Average Power Supply Current | $\overline{RAS}$ Cycling, $\overline{LCAS}, \overline{UCAS} \geq V_{IH}$<br>t <sub>RC</sub> = t <sub>RC</sub> (min.) | -35<br>-60             | —    | 230<br>170 | mA   |
| I <sub>CC6</sub> | Refresh Current:<br>CBR <sup>(2,3,5)</sup><br>Average Power Supply Current                  | $\overline{RAS}, \overline{LCAS}, \overline{UCAS}$ Cycling<br>t <sub>RC</sub> = t <sub>RC</sub> (min.)               | -35<br>-60             | —    | 230<br>170 | mA   |

**Notes:**

1. An initial pause of 200 μs is required after power-up followed by eight  $\overline{RAS}$  refresh cycles ( $\overline{RAS}$ -Only or CBR) before proper device operation is assured. The eight  $\overline{RAS}$  cycles wake-up should be repeated any time the t<sub>REF</sub> refresh requirement is exceeded.
2. Dependent on cycle rates.
3. Specified values are obtained with minimum cycle time and the output open.
4. Column-address is changed once each fast page cycle.
5. Enables on-chip refresh and address counters.

**AC CHARACTERISTICS**<sup>(1,2,3,4,5,6)</sup> (Recommended Operating Conditions unless otherwise noted.)

| Symbol            | Parameter  | -35  |      | -60  |      | Units |
|-------------------|--|------|------|------|------|-------|
|                   |  | Min. | Max. | Min. | Max. |       |
| t <sub>RC</sub>   | Random READ or WRITE Cycle Time  | 60   | —    | 110  | —    | ns    |
| t <sub>RAC</sub>  | Access Time from $\overline{\text{RAS}}^{(6, 7)}$  | —    | 35   | —    | 60   | ns    |
| t <sub>CAC</sub>  | Access Time from $\overline{\text{CAS}}^{(6, 8, 15)}$                                      | —    | 10   | —    | 15   | ns    |
| t <sub>AA</sub>   | Access Time from Column-Address <sup>(6)</sup>   | —    | 18   | —    | 30   | ns    |
| t <sub>RAS</sub>  | $\overline{\text{RAS}}$ Pulse Width  | 35   | 10K  | 60   | 10K  | ns    |
| t <sub>RP</sub>   | $\overline{\text{RAS}}$ Precharge Time   | 20   | —    | 40   | —    | ns    |
| t <sub>CAS</sub>  | $\overline{\text{CAS}}$ Pulse Width <sup>(26)</sup>  | 6    | 10K  | 10   | 10K  | ns    |
| t <sub>CP</sub>   | $\overline{\text{CAS}}$ Precharge Time <sup>(9, 25)</sup>                                  | 5    | —    | 10   | —    | ns    |
| t <sub>CSH</sub>  | $\overline{\text{CAS}}$ Hold Time <sup>(21)</sup>  | 35   | —    | 60   | —    | ns    |
| t <sub>RCD</sub>  | $\overline{\text{RAS}}$ to $\overline{\text{CAS}}$ Delay Time <sup>(10, 20)</sup>          | 11   | 28   | 20   | 45   | ns    |
| t <sub>ASR</sub>  | Row-Address Setup Time   | 0    | —    | —    | 0    | — ns  |
| t <sub>RAH</sub>  | Row-Address Hold Time  | 6    | —    | 10   | —    | ns    |
| t <sub>ASC</sub>  | Column-Address Setup Time <sup>(20)</sup>  | 0    | —    | 0    | —    | ns    |
| t <sub>CAH</sub>  | Column-Address Hold Time <sup>(20)</sup>   | 6    | —    | 10   | —    | ns    |
| t <sub>AR</sub>   | Column-Address Hold Time<br>(referenced to $\overline{\text{RAS}}$ )                       | 30   | —    | 40   | —    | ns    |
| t <sub>RAD</sub>  | $\overline{\text{RAS}}$ to Column-Address Delay Time <sup>(11)</sup>                       | 12   | 20   | 15   | 30   | ns    |
| t <sub>RAL</sub>  | Column-Address to $\overline{\text{RAS}}$ Lead Time  | 18   | —    | 30   | —    | ns    |
| t <sub>RPC</sub>  | $\overline{\text{RAS}}$ to $\overline{\text{CAS}}$ Precharge Time                          | 0    | —    | 0    | —    | ns    |
| t <sub>RSH</sub>  | $\overline{\text{RAS}}$ Hold Time <sup>(27)</sup>  | 8    | —    | 15   | —    | ns    |
| t <sub>CLZ</sub>  | $\overline{\text{CAS}}$ to Output in Low-Z <sup>(15, 29)</sup>                             | 3    | —    | 3    | —    | ns    |
| t <sub>CRP</sub>  | $\overline{\text{CAS}}$ to $\overline{\text{RAS}}$ Precharge Time <sup>(21)</sup>          | 5    | —    | 5    | —    | ns    |
| t <sub>OD</sub>   | Output Disable Time <sup>(19, 28, 29)</sup>  | 3    | 15   | 3    | 15   | ns    |
| t <sub>OE</sub>   | Output Enable Time <sup>(15, 16)</sup>   | —    | 10   | —    | 15   | ns    |
| t <sub>OEHC</sub> | $\overline{\text{OE}}$ HIGH Hold Time from $\overline{\text{CAS}}$ HIGH                    | 10   | —    | 10   | —    | ns    |
| t <sub>OEP</sub>  | $\overline{\text{OE}}$ HIGH Pulse Width  | 10   | —    | 10   | —    | ns    |
| t <sub>OES</sub>  | $\overline{\text{OE}}$ LOW to $\overline{\text{CAS}}$ HIGH Setup Time                      | 5    | —    | 5    | —    | ns    |
| t <sub>RCS</sub>  | Read Command Setup Time <sup>(17, 20)</sup>  | 0    | —    | 0    | —    | ns    |
| t <sub>RRH</sub>  | Read Command Hold Time<br>(referenced to $\overline{\text{RAS}}$ ) <sup>(12)</sup>         | 0    | —    | 0    | —    | ns    |
| t <sub>RCH</sub>  | Read Command Hold Time<br>(referenced to $\overline{\text{CAS}}$ ) <sup>(12, 17, 21)</sup> | 0    | —    | 0    | —    | ns    |
| t <sub>WCH</sub>  | Write Command Hold Time <sup>(17, 27)</sup>  | 5    | —    | 10   | —    | ns    |
| t <sub>WCR</sub>  | Write Command Hold Time<br>(referenced to $\overline{\text{RAS}}$ ) <sup>(17)</sup>        | 30   | —    | 50   | —    | ns    |
| t <sub>WP</sub>   | Write Command Pulse Width <sup>(17)</sup>  | 5    | —    | 10   | —    | ns    |
| t <sub>WPZ</sub>  | $\overline{\text{WE}}$ Pulse Widths to Disable Outputs                                     | 10   | —    | 10   | —    | ns    |
| t <sub>RWL</sub>  | Write Command to $\overline{\text{RAS}}$ Lead Time <sup>(17)</sup>                         | 8    | —    | 15   | —    | ns    |
| t <sub>CWL</sub>  | Write Command to $\overline{\text{CAS}}$ Lead Time <sup>(17, 21)</sup>                     | 8    | —    | 15   | —    | ns    |
| t <sub>WCS</sub>  | Write Command Setup Time <sup>(14, 17, 20)</sup>   | 0    | —    | 0    | —    | ns    |
| t <sub>DHR</sub>  | Data-in Hold Time (referenced to $\overline{\text{RAS}}$ )                                 | 30   | —    | 40   | —    | ns    |

(Continued)

**AC CHARACTERISTICS**<sup>(1,2,3,4,5,6)</sup> (Recommended Operating Conditions unless otherwise noted.)

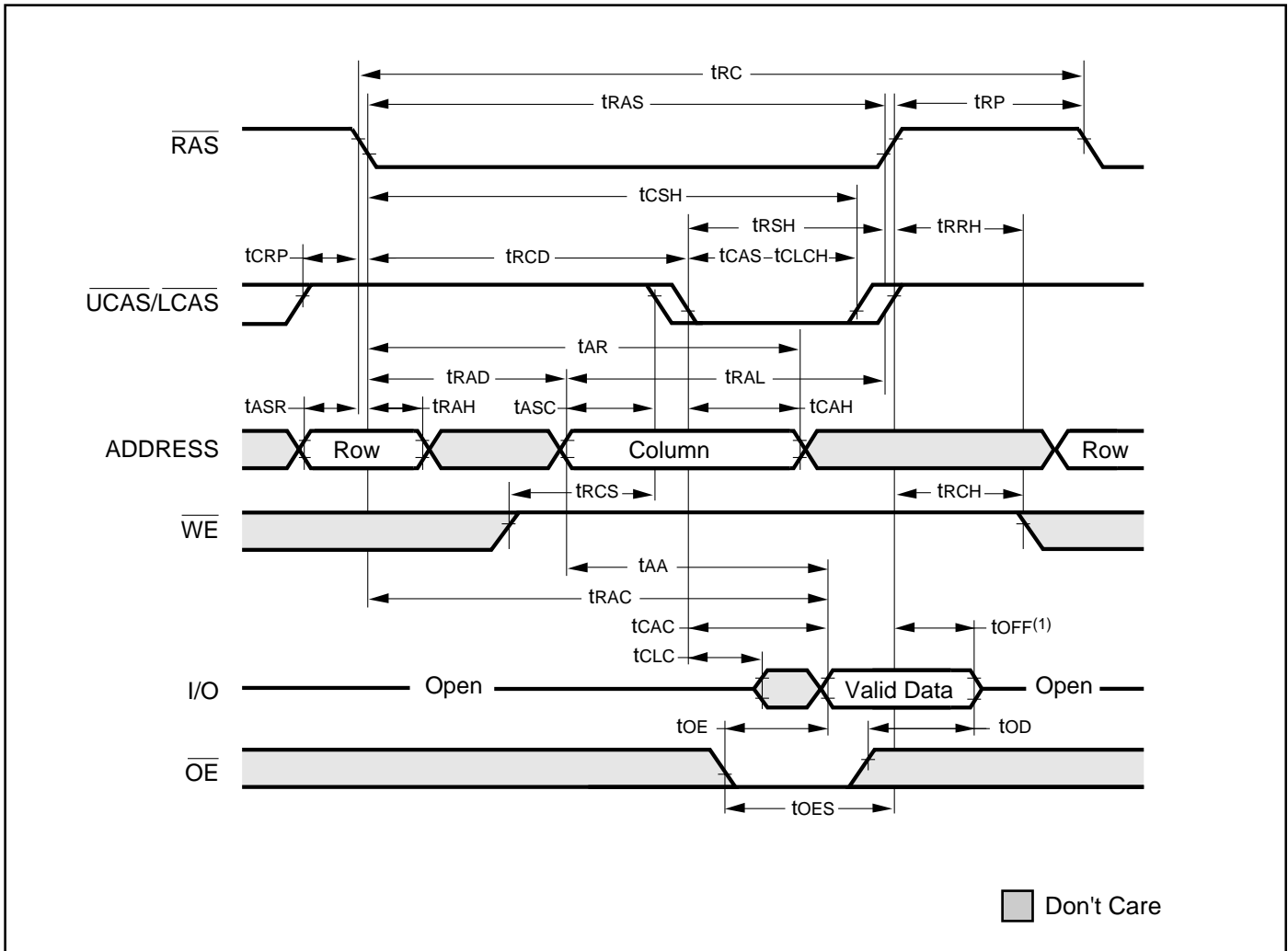
| Symbol            | Parameter  | -35  |      | -60  |      | Units |
|-------------------|--|------|------|------|------|-------|
|                   |  | Min. | Max. | Min. | Max. |       |
| t <sub>ACH</sub>  | Column-Address Setup Time to $\overline{\text{CAS}}$ Precharge during WRITE Cycle                                | 15   | —    | 15   | —    | ns    |
| t <sub>OEH</sub>  | $\overline{\text{OE}}$ Hold Time from $\overline{\text{WE}}$ during READ-MODIFY-WRITE cycle <sup>(18)</sup>      | 8    | —    | 15   | —    | ns    |
| t <sub>DS</sub>   | Data-In Setup Time <sup>(15, 22)</sup>   | 0    | —    | 0    | —    | ns    |
| t <sub>DH</sub>   | Data-In Hold Time <sup>(15, 22)</sup>  | 6    | —    | 10   | —    | ns    |
| t <sub>RWC</sub>  | READ-MODIFY-WRITE Cycle Time   | 80   | —    | 140  | —    | ns    |
| t <sub>RWD</sub>  | $\overline{\text{RAS}}$ to $\overline{\text{WE}}$ Delay Time during READ-MODIFY-WRITE Cycle <sup>(14)</sup>      | 45   | —    | 80   | —    | ns    |
| t <sub>CWD</sub>  | $\overline{\text{CAS}}$ to $\overline{\text{WE}}$ Delay Time <sup>(14, 20)</sup>                                 | 25   | —    | 36   | —    | ns    |
| t <sub>AWD</sub>  | Column-Address to $\overline{\text{WE}}$ Delay Time <sup>(14)</sup>  | 30   | —    | 49   | —    | ns    |
| t <sub>PC</sub>   | Fast Page Mode READ or WRITE Cycle Time <sup>(24)</sup>  | 12   | —    | 25   | —    | ns    |
| t <sub>RASP</sub> | $\overline{\text{RAS}}$ Pulse Width  | 35   | 100K | 60   | 100K | ns    |
| t <sub>CPA</sub>  | Access Time from $\overline{\text{CAS}}$ Precharge <sup>(15)</sup>   | —    | 21   | —    | 34   | ns    |
| t <sub>PRWC</sub> | READ-WRITE Cycle Time <sup>(24)</sup>  | 40   | —    | 56   | —    | ns    |
| t <sub>OFF</sub>  | Output Buffer Turn-Off Delay from $\overline{\text{CAS}}$ or $\overline{\text{RAS}}$ <sup>(13, 15, 19, 29)</sup> | 3    | 15   | 3    | 15   | ns    |
| t <sub>WHZ</sub>  | Output Disable Delay from $\overline{\text{WE}}$   | 3    | 15   | 3    | 15   | ns    |
| t <sub>CLCH</sub> | Last $\overline{\text{CAS}}$ going LOW to First $\overline{\text{CAS}}$ returning HIGH <sup>(23)</sup>           | 10   | —    | 10   | —    | ns    |
| t <sub>CSR</sub>  | $\overline{\text{CAS}}$ Setup Time (CBR REFRESH) <sup>(30, 20)</sup>   | 8    | —    | 10   | —    | ns    |
| t <sub>CHR</sub>  | $\overline{\text{CAS}}$ Hold Time (CBR REFRESH) <sup>(30, 21)</sup>  | 8    | —    | 10   | —    | ns    |
| t <sub>ORD</sub>  | $\overline{\text{OE}}$ Setup Time prior to $\overline{\text{RAS}}$ during HIDDEN REFRESH Cycle                   | 0    | —    | 0    | —    | ns    |
| t <sub>REF</sub>  | Refresh Period (512 Cycles)  | —    | 8    | —    | 8    | ms    |
| t <sub>T</sub>    | Transition Time (Rise or Fall) <sup>(2, 3)</sup>   | 1    | 50   | 1    | 50   | ns    |



**Notes:**

1. An initial pause of 200  $\mu$ s is required after power-up followed by eight  $\overline{\text{RAS}}$  refresh cycle ( $\overline{\text{RAS}}$ -Only or CBR) before proper device operation is assured. The eight  $\overline{\text{RAS}}$  cycles wake-up should be repeated any time the  $t_{\text{REF}}$  refresh requirement is exceeded.
2.  $V_{\text{IH}}$  (MIN) and  $V_{\text{IL}}$  (MAX) are reference levels for measuring timing of input signals. Transition times, are measured between  $V_{\text{IH}}$  and  $V_{\text{IL}}$  (or between  $V_{\text{IL}}$  and  $V_{\text{IH}}$ ) and assume to be 1 ns for all inputs.
3. In addition to meeting the transition rate specification, all input signals must transit between  $V_{\text{IH}}$  and  $V_{\text{IL}}$  (or between  $V_{\text{IL}}$  and  $V_{\text{IH}}$ ) in a monotonic manner.
4. If  $\overline{\text{CAS}}$  and  $\overline{\text{RAS}} = V_{\text{IH}}$ , data output is High-Z.
5. If  $\overline{\text{CAS}} = V_{\text{IL}}$ , data output may contain data from the last valid READ cycle.
6. Measured with a load equivalent to one TTL gate and 50 pF.
7. Assumes that  $t_{\text{RCD}} \leq t_{\text{RCD}} (\text{MAX})$ . If  $t_{\text{RCD}}$  is greater than the maximum recommended value shown in this table,  $t_{\text{RAC}}$  will increase by the amount that  $t_{\text{RCD}}$  exceeds the value shown.
8. Assumes that  $t_{\text{RCD}} \geq t_{\text{RCD}} (\text{MAX})$ .
9. If  $\overline{\text{CAS}}$  is LOW at the falling edge of  $\overline{\text{RAS}}$ , data out will be maintained from the previous cycle. To initiate a new cycle and clear the data output buffer,  $\overline{\text{CAS}}$  and  $\overline{\text{RAS}}$  must be pulsed for  $t_{\text{CP}}$ .
10. Operation with the  $t_{\text{RCD}} (\text{MAX})$  limit ensures that  $t_{\text{RAC}} (\text{MAX})$  can be met.  $t_{\text{RCD}} (\text{MAX})$  is specified as a reference point only; if  $t_{\text{RCD}}$  is greater than the specified  $t_{\text{RCD}} (\text{MAX})$  limit, access time is controlled exclusively by  $t_{\text{CAC}}$ .
11. Operation within the  $t_{\text{RAD}} (\text{MAX})$  limit ensures that  $t_{\text{RCD}} (\text{MAX})$  can be met.  $t_{\text{RAD}} (\text{MAX})$  is specified as a reference point only; if  $t_{\text{RAD}}$  is greater than the specified  $t_{\text{RAD}} (\text{MAX})$  limit, access time is controlled exclusively by  $t_{\text{AA}}$ .
12. Either  $t_{\text{RCH}}$  or  $t_{\text{RRH}}$  must be satisfied for a READ cycle.
13.  $t_{\text{OFF}} (\text{MAX})$  defines the time at which the output achieves the open circuit condition; it is not a reference to  $V_{\text{OH}}$  or  $V_{\text{OL}}$ .
14.  $t_{\text{WCS}}$ ,  $t_{\text{RWD}}$ ,  $t_{\text{AWD}}$  and  $t_{\text{CWD}}$  are restrictive operating parameters in LATE WRITE and READ-MODIFY-WRITE cycle only. If  $t_{\text{WCS}} \geq t_{\text{WCS}} (\text{MIN})$ , the cycle is an EARLY WRITE cycle and the data output will remain open circuit throughout the entire cycle. If  $t_{\text{RWD}} \geq t_{\text{RWD}} (\text{MIN})$ ,  $t_{\text{AWD}} \geq t_{\text{AWD}} (\text{MIN})$  and  $t_{\text{CWD}} \geq t_{\text{CWD}} (\text{MIN})$ , the cycle is a READ-WRITE cycle and the data output will contain data read from the selected cell. If neither of the above conditions is met, the state of I/O (at access time and until  $\overline{\text{CAS}}$  and  $\overline{\text{RAS}}$  or  $\overline{\text{OE}}$  go back to  $V_{\text{IH}}$ ) is indeterminate.  $\overline{\text{OE}}$  held HIGH and  $\overline{\text{WE}}$  taken LOW after  $\overline{\text{CAS}}$  goes LOW result in a LATE WRITE ( $\overline{\text{OE}}$ -controlled) cycle.
15. Output parameter (I/O) is referenced to corresponding  $\overline{\text{CAS}}$  input, I/O0-I/O7 by  $\overline{\text{LCAS}}$  and I/O8-I/O15 by  $\overline{\text{UCAS}}$ .
16. During a READ cycle, if  $\overline{\text{OE}}$  is LOW then taken HIGH before  $\overline{\text{CAS}}$  goes HIGH, I/O goes open. If  $\overline{\text{OE}}$  is tied permanently LOW, a LATE WRITE or READ-MODIFY-WRITE is not possible.
17. Write command is defined as  $\overline{\text{WE}}$  going low.
18. LATE WRITE and READ-MODIFY-WRITE cycles must have both  $t_{\text{OD}}$  and  $t_{\text{OE}} (\text{HIGH})$  met ( $\overline{\text{OE}}$  HIGH during WRITE cycle) in order to ensure that the output buffers will be open during the WRITE cycle. The I/Os will provide the previously written data if  $\overline{\text{CAS}}$  remains LOW and  $\overline{\text{OE}}$  is taken back to LOW after  $t_{\text{OE}} (\text{HIGH})$  is met.
19. The I/Os are in open during READ cycles once  $t_{\text{OD}}$  or  $t_{\text{OFF}}$  occur.
20. The first  $\chi\overline{\text{CAS}}$  edge to transition LOW.
21. The last  $\chi\overline{\text{CAS}}$  edge to transition HIGH.
22. These parameters are referenced to  $\overline{\text{CAS}}$  leading edge in EARLY WRITE cycles and  $\overline{\text{WE}}$  leading edge in LATE WRITE or READ-MODIFY-WRITE cycles.
23. Last falling  $\chi\overline{\text{CAS}}$  edge to first rising  $\chi\overline{\text{CAS}}$  edge.
24. Last rising  $\chi\overline{\text{CAS}}$  edge to next cycle's last rising  $\chi\overline{\text{CAS}}$  edge.
25. Last rising  $\chi\overline{\text{CAS}}$  edge to first falling  $\chi\overline{\text{CAS}}$  edge.
26. Each  $\chi\overline{\text{CAS}}$  must meet minimum pulse width.
27. Last  $\chi\overline{\text{CAS}}$  to go LOW.
28. I/Os controlled, regardless  $\overline{\text{UCAS}}$  and  $\overline{\text{LCAS}}$ .
29. The 3 ns minimum is a parameter guaranteed by design.
30. Enables on-chip refresh and address counters.

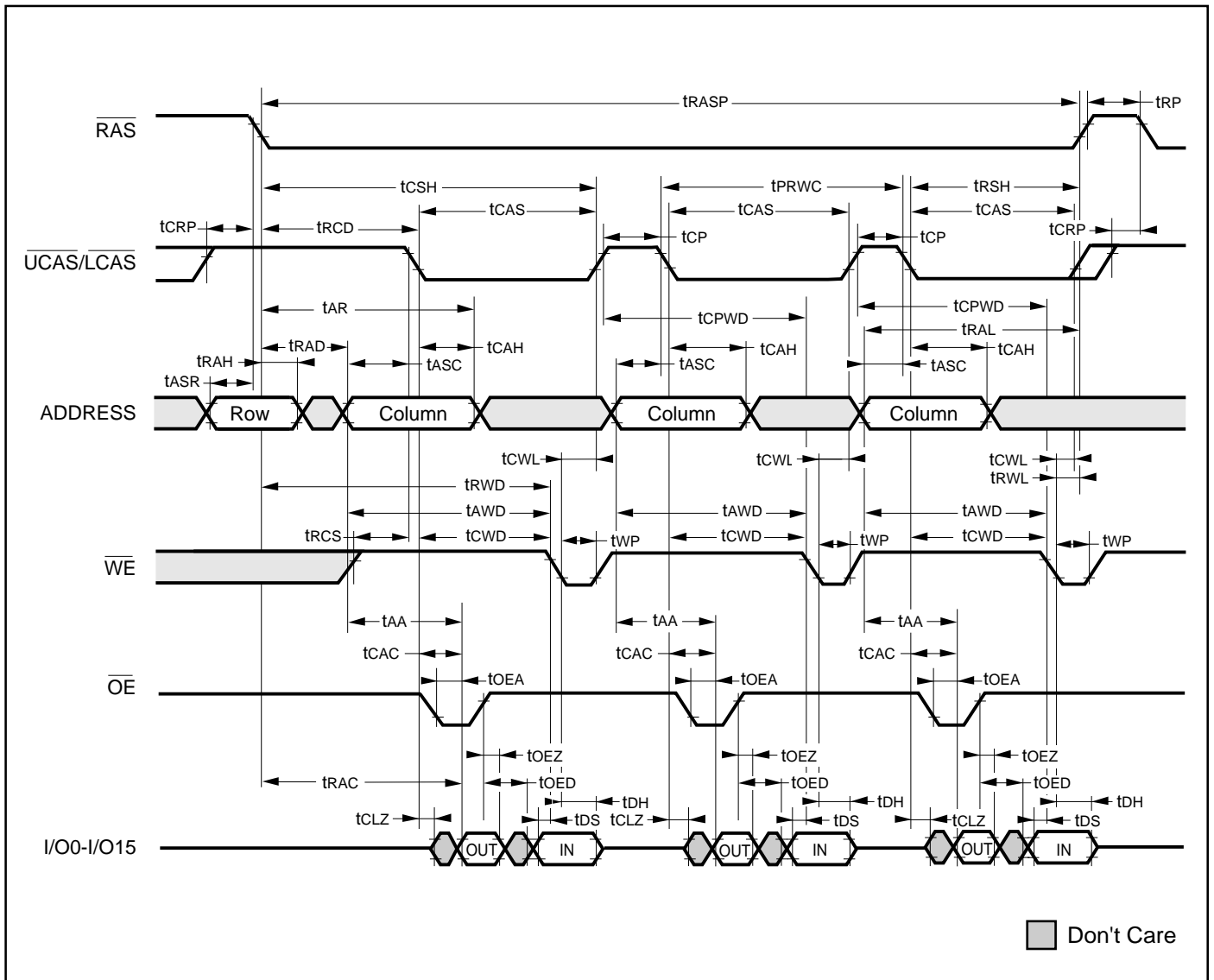
FAST-PAGE-MODE READ CYCLE



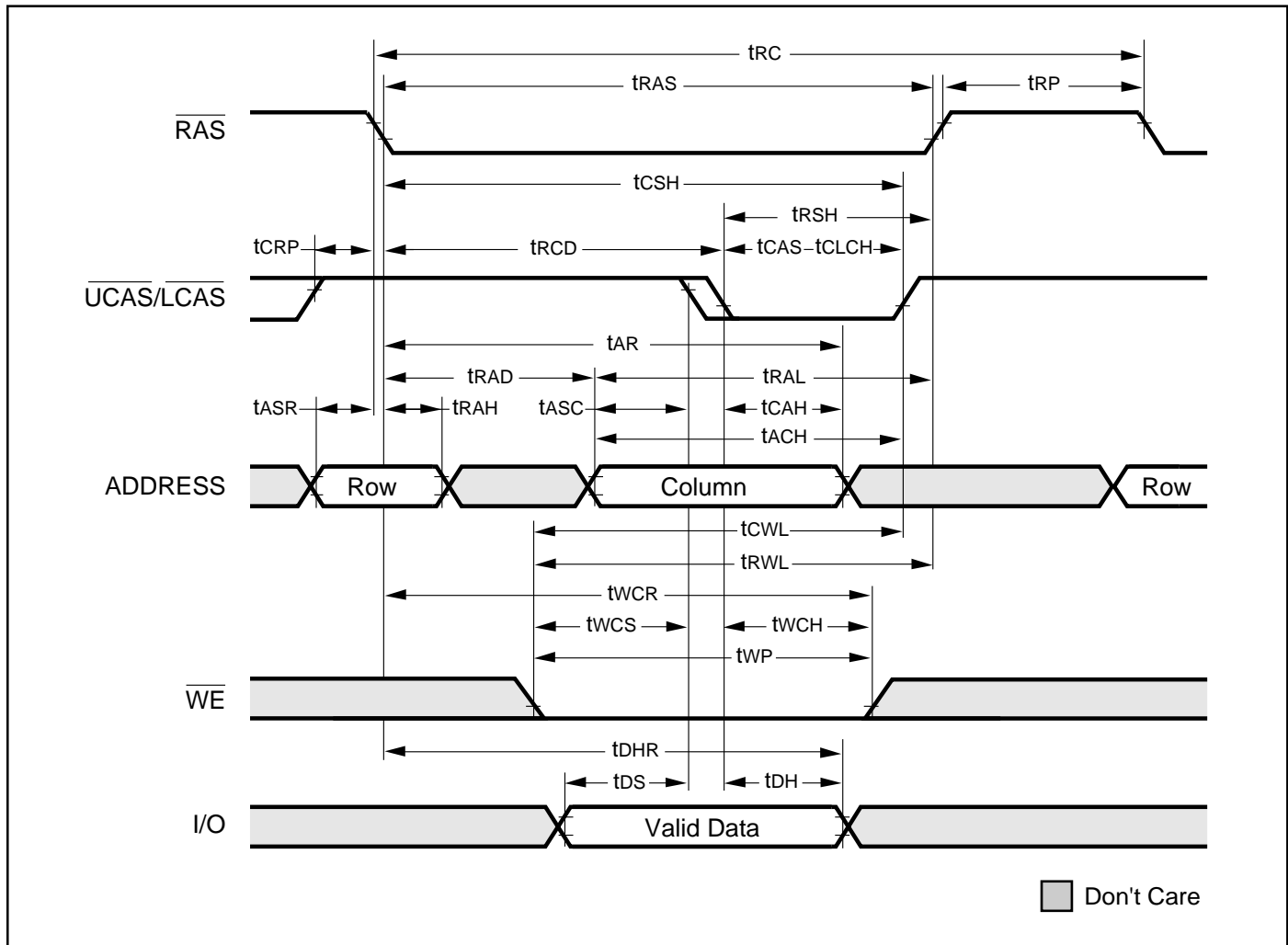
**Note:**

1.  $t_{OFF}$  is referenced from rising edge of  $\overline{CAS}$ .

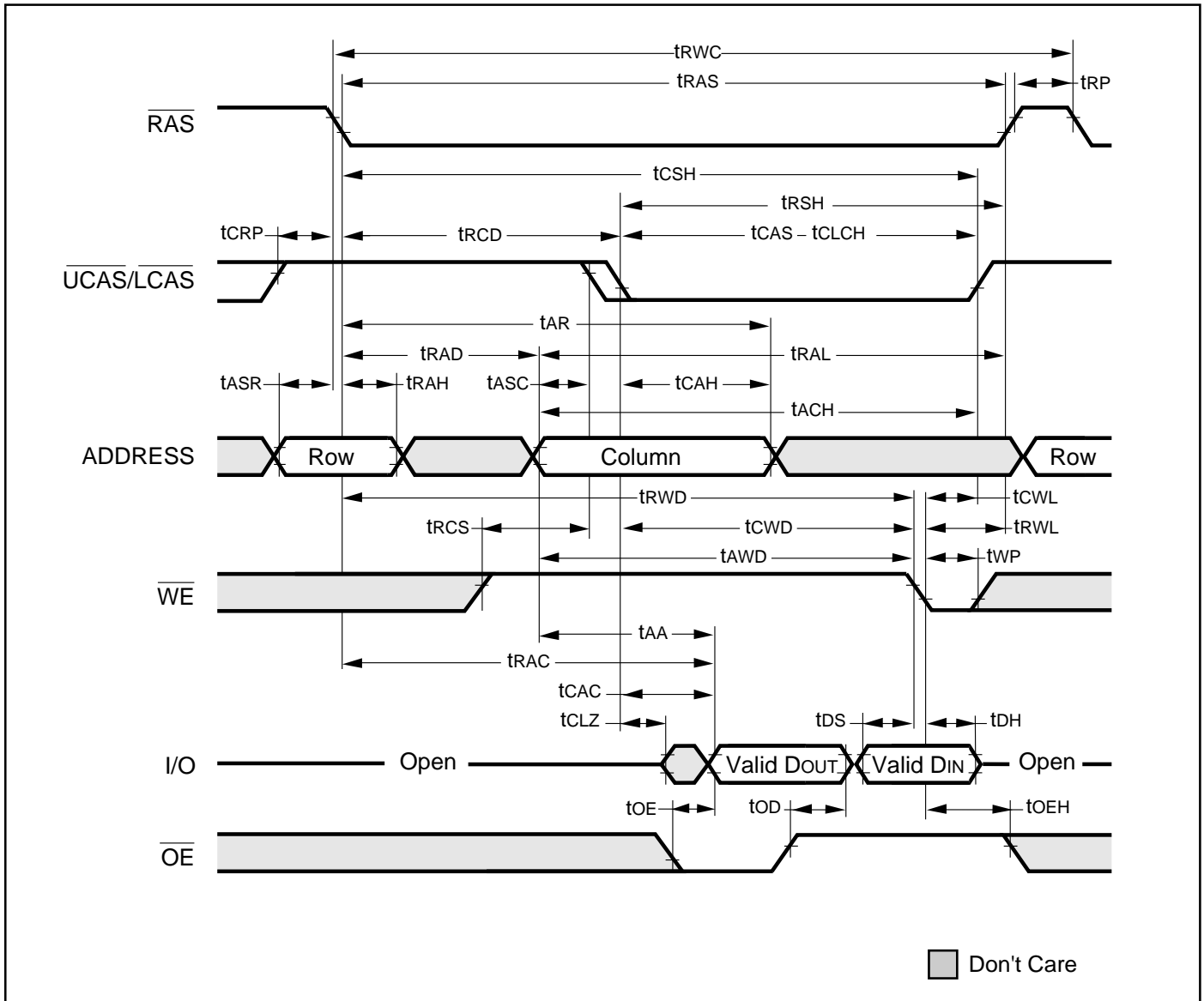
FAST PAGE MODE READ-MODIFY-WRITE CYCLE



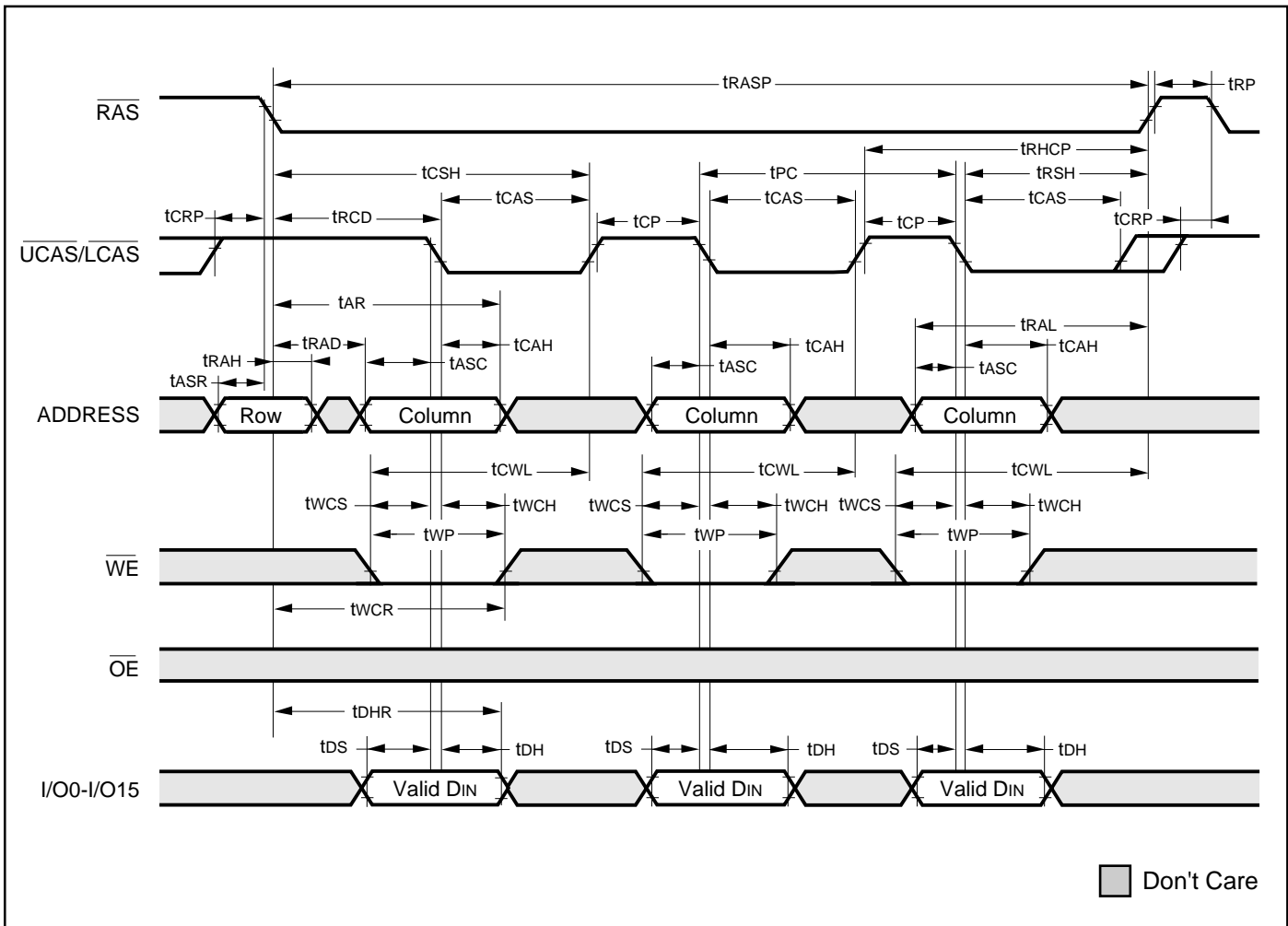
FAST-PAGE-MODE EARLY WRITE CYCLE ( $\overline{OE}$  = DON'T CARE)



**FAST-PAGE-MODE READ WRITE CYCLE (LATE WRITE and READ-MODIFY-WRITE Cycles)**

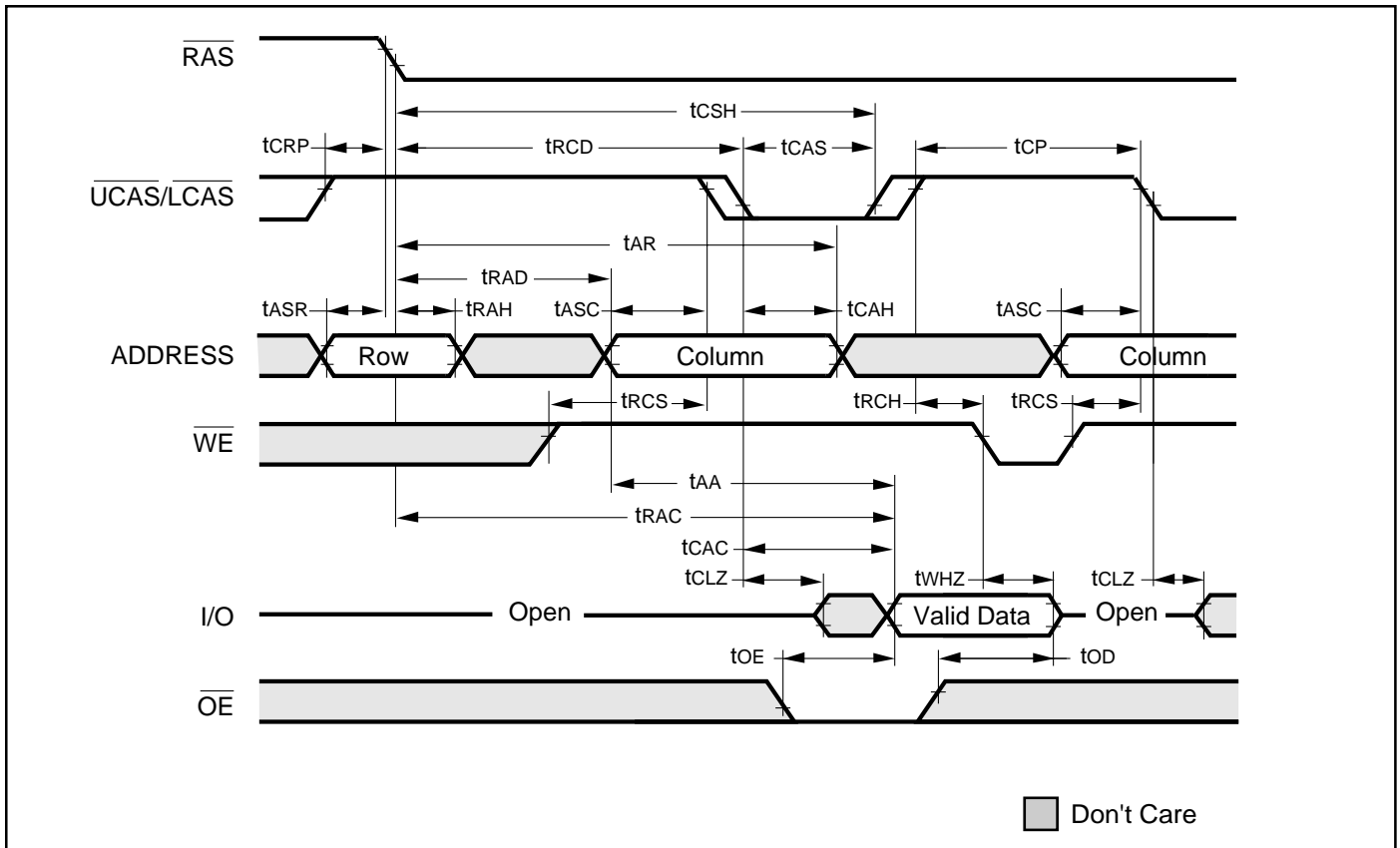


FAST PAGE MODE EARLY WRITE CYCLE

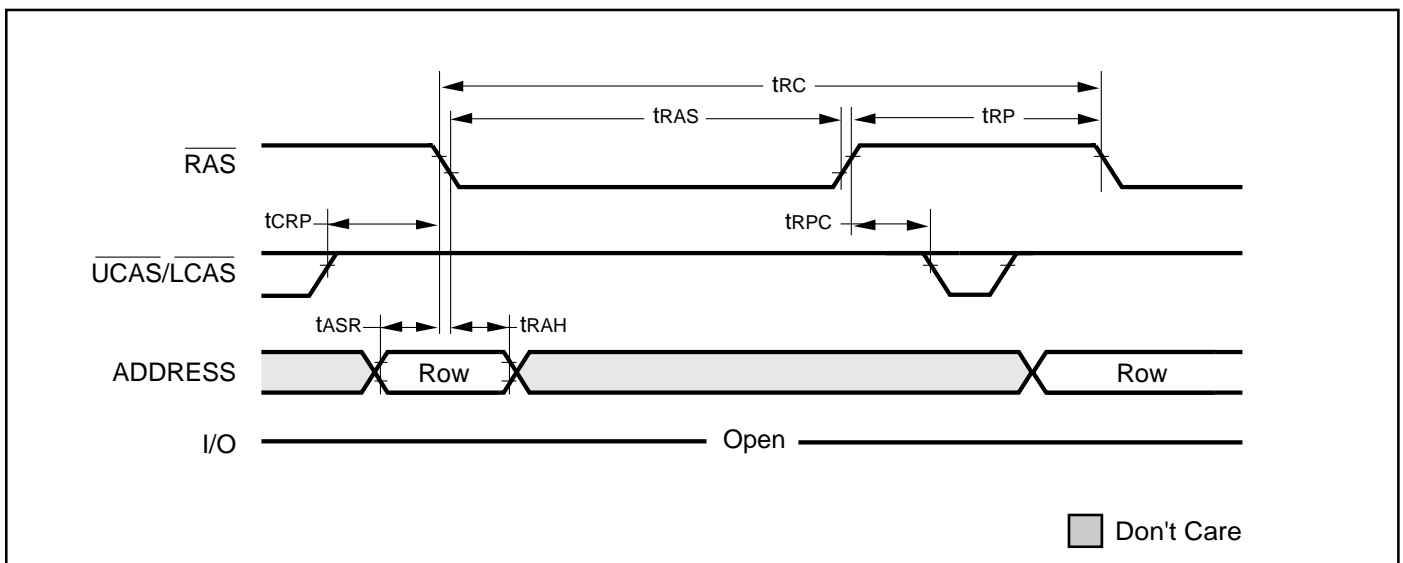


AC WAVEFORMS

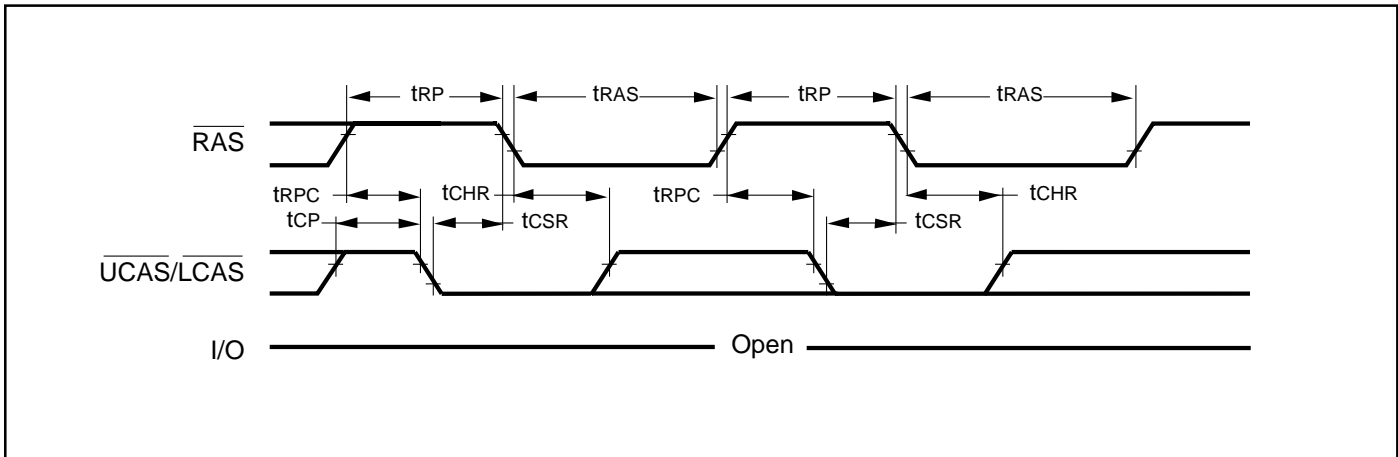
READ CYCLE (With  $\overline{WE}$ -Controlled Disable)



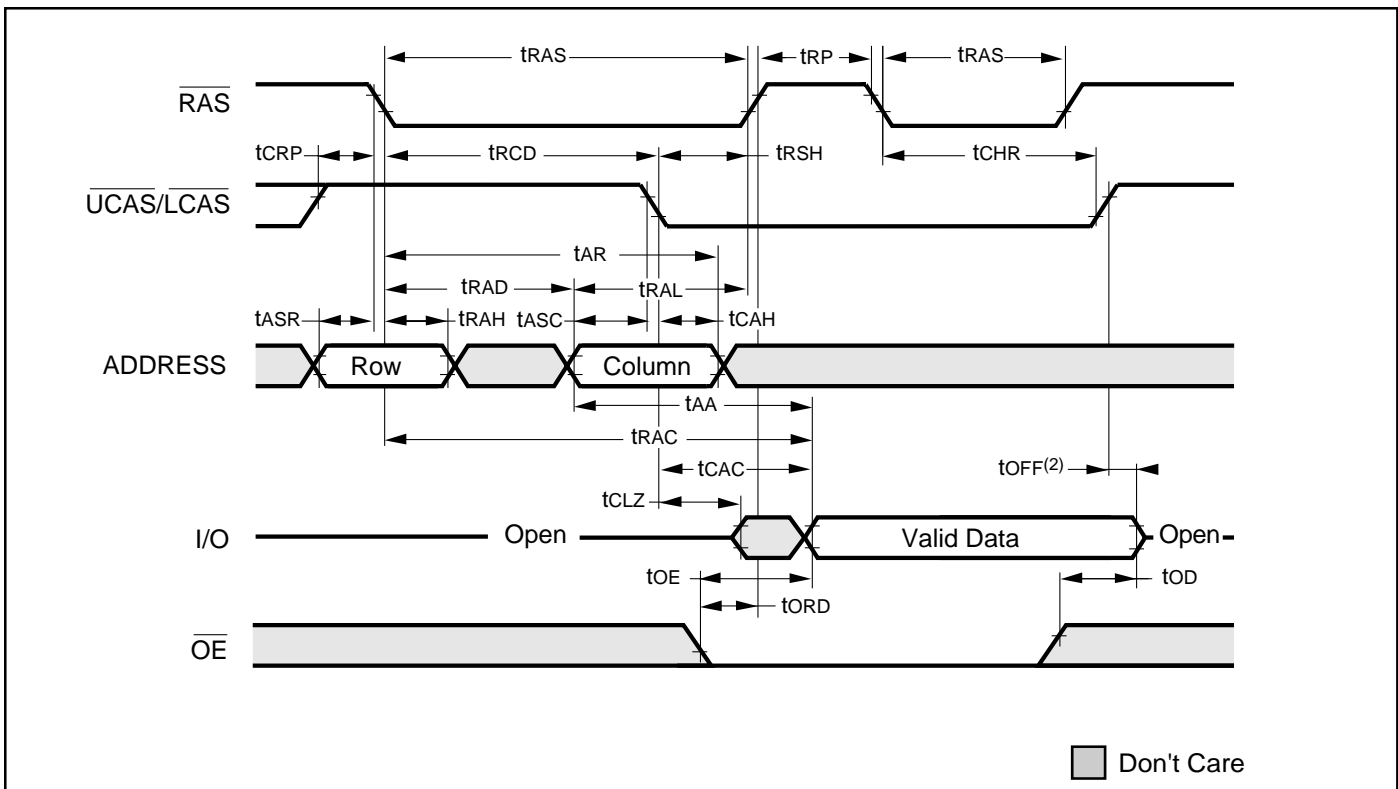
$\overline{RAS}$ -ONLY REFRESH CYCLE ( $\overline{OE}$ ,  $\overline{WE}$  = DON'T CARE)



**$\overline{\text{CBR}}$  REFRESH CYCLE** (Addresses;  $\overline{\text{WE}}$ ,  $\overline{\text{OE}}$  = DON'T CARE)



**HIDDEN REFRESH CYCLE<sup>(1)</sup>** ( $\overline{\text{WE}}$  = HIGH;  $\overline{\text{OE}}$  = LOW)



**Notes:**

1. A Hidden Refresh may also be performed after a Write Cycle. In this case,  $\overline{\text{WE}}$  = LOW and  $\overline{\text{OE}}$  = HIGH.
2.  $t_{OFF}$  is referenced from rising edge of RAS or CAS, whichever occurs last.



**ORDERING INFORMATION**

**IS41C16257**

**Commercial Range: 0°C to 70°C**

| Speed (ns) | Order Part No. | Package                |
|------------|----------------|------------------------|
| 35         | IS41C16257-35K | 400-mil SOJ            |
|            | IS41C16257-35T | 400-mil TSOP (Type II) |
| 60         | IS41C16257-60K | 400-mil SOJ            |
|            | IS41C16257-60T | 400-mil TSOP (Type II) |

**Industrial Range: -40°C to 85°C**

| Speed (ns) | Order Part No.  | Package                |
|------------|-----------------|------------------------|
| 35         | IS41C16257-35KI | 400-mil SOJ            |
|            | IS41C16257-35TI | 400-mil TSOP (Type II) |
| 60         | IS41C16257-60KI | 400-mil SOJ            |
|            | IS41C16257-60TI | 400-mil TSOP (Type II) |

**ORDERING INFORMATION**

**IS41LV16257**

**Commercial Range: 0°C to 70°C**

| Speed (ns) | Order Part No.  | Package                |
|------------|-----------------|------------------------|
| 35         | IS41LV16257-35K | 400-mil SOJ            |
|            | IS41LV16257-35T | 400-mil TSOP (Type II) |
| 60         | IS41LV16257-60K | 400-mil SOJ            |
|            | IS41LV16257-60T | 400-mil TSOP (Type II) |

**Industrial Range: -40°C to 85°C**

| Speed (ns) | Order Part No.   | Package                |
|------------|------------------|------------------------|
| 35         | IS41LV16257-35KI | 400-mil SOJ            |
|            | IS41LV16257-35TI | 400-mil TSOP (Type II) |
| 60         | IS41LV16257-60KI | 400-mil SOJ            |
|            | IS41LV16257-60TI | 400-mil TSOP (Type II) |