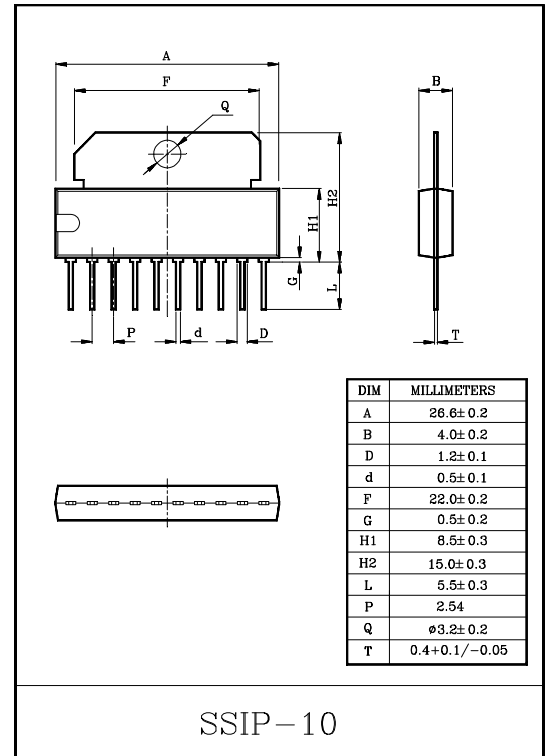


### DUAL AUDIO POWER AMPLIFIER

The KIA6240K is dual power amplifier for consumer application. This IC provides an output power of 6 watts per channel (at  $V_{CC}=22V$ ,  $f=1kHz$ ,  $R_L=8\Omega$ ,  $THD=0.5\%$ ) It is suitable for power amplifier of TV and home stereo.

### FEATURES

- High output power :  $P_{OUT}=6W(Typ.)$   
( $V_{CC}=22V$ ,  $R_L=8\Omega$ ,  $f=1kHz$ ,  $THD=0.5\%$ )
- High current capability.
- AC short circuit protection.
- Thermal overload protection.
- Operation supply voltage range :  $V_{CC(opr)}=8\sim 26V$ .

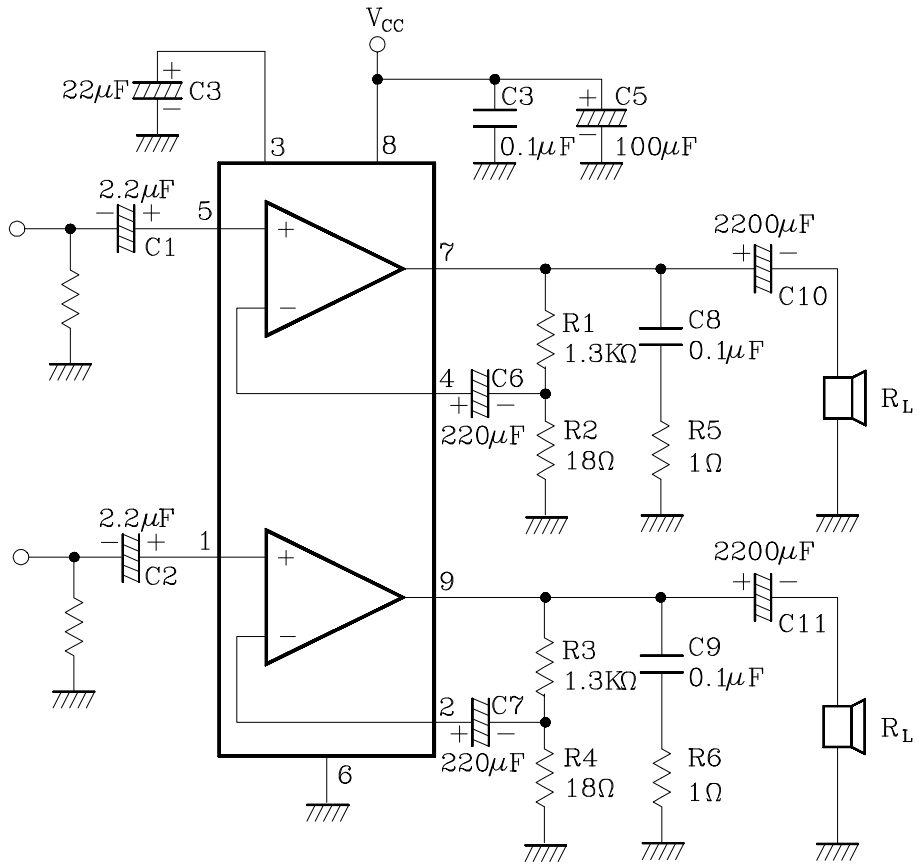


### MAXIMUM RATINGS ( $T_a=25^\circ C$ )

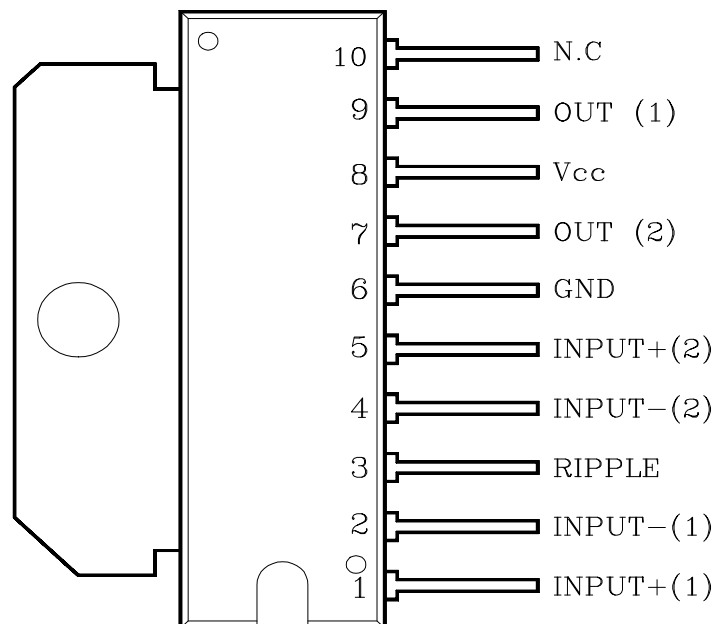
CHARACTERISTIC	SYMBOL	RATING	UNIT
Supply Voltage	$V_{CC}$	28	V
Output Current (repetitive $f \geq 20Hz$ )	$I_{O(peak)}$	3	A
Output Current (non repetitive $t=100\mu S$ )	$I_{O(peak)}$	3.5	A
Power Dissipation ( $T_{case}=70^\circ C$ )	$P_D$	10	W
Operating Temperature	$T_{opr}$	-20~75	$^\circ C$
Storage Temperature	$T_{stg}$	-55~150	$^\circ C$

# KIA6240K

## BLOCK DIAGRAM / APPLICATION CIRCUIT



## PIN CONFIGURATION (TOP VIEW)



# KIA6240K

## ELECTRICAL CHARACTERISTICS

(Unless otherwise specified,  $V_{CC}=18V$ ,  $f=1kHz$ ,  $R_g=600\Omega$ ,  $R_L=8\Omega$ ,  $T_a=25^\circ C$ )

CHARACTERISTIC	SYMBOL	TEST CIRCUIT	TEST CONDITION	MIN.	TYP.	MAX.	UNIT	
Quiescent Current	$I_{CCQ}$	-	$V_{IN}=0$	-	50	90	mA	
Quiescent Output Voltage	$V_O$	-		-	8.5	-	V	
Output Power	$P_{OUT}$ (1)	-	$f=100Hz\sim 6kHz$ , $V_{CC}=18V$ , $R_L=4\Omega$ , $THD=0.5\%$	5.0	6	-	W	
	$P_{OUT}$ (2)	-	$f=100Hz\sim 6kHz$ , $V_{CC}=22V$ , $R_L=8\Omega$ , $THD=0.5\%$	5.0	6	-		
Total Harmonic Distortion	THD(1)	-	$V_{CC}=18V$ , $R_L=4\Omega$ $P_{OUT}=100mW$ to $3W$	-	0.1	-	%	
	THD(2)	-	$V_{CC}=22V$ , $R_L=8\Omega$ $P_{OUT}=100mW$ to $3W$	-	0.05	-		
Cross Talk	C.T	-	$R_g=10k\Omega$ , $V_{OUT}=0.775V_{rms}$	$f=1kHz$	50	60	-	dB
				$f=10kHz$	40	50	-	
Input Saturation Voltage	$V_{IN}$	-		300	-	-	$mV_{rms}$	
Input Resistance	$R_{IN}$	-		70	200	-	$k\Omega$	
Voltage Gain	$G_V$	-	$V_{OUT}=0.775V_{rms}$	35.5	36	36.5	dB	
Input Noise voltage	$V_{NI}$	-	$R_g=10k\Omega$ , $BW=20Hz\sim 20kHz$	-	2.5	8.0	$\mu V_{rms}$	
Ripple Rejection Ratio	R.R	-	$R_g=10k\Omega$ , $V_{ripple}=0.5V$ , $f=100Hz$	-	-55	-	dB	
Thermal Shut-down Junction Temperature	$T_j$	-		-	145	-	$^\circ C$	

# KIA6240K

## EXTERNAL PARTS TABLE

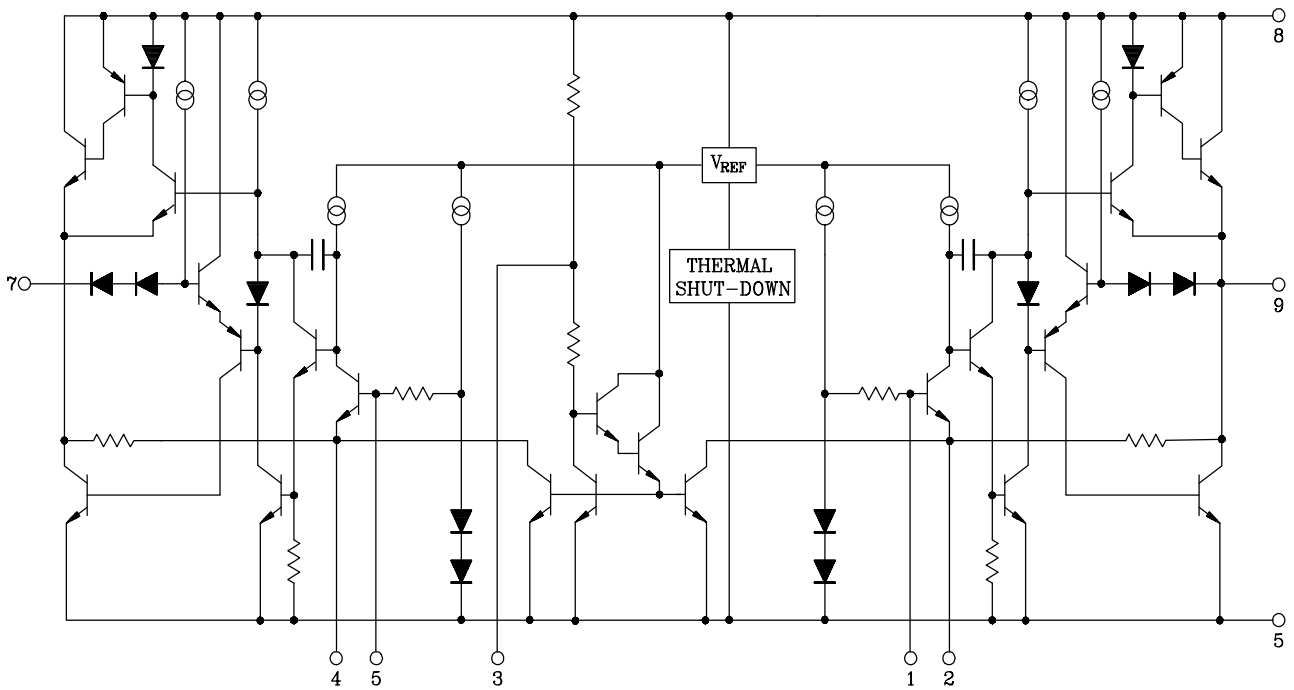
The recommended values of the components are those shown on application circuit.  
Different values can be used; the following table can help the designer.

Parts Number	Typical	Purpose	Influence		Note
			Smaller Than Typ.	Larger Than Typ.	
R <sub>1</sub> , R <sub>3</sub>	1.3kΩ	Close Loop Gain Setting *	Decrease of Gain	Increase of Gain	
R <sub>2</sub> , R <sub>4</sub>	18Ω		Increase of Gain	Decrease of Gain	
R <sub>5</sub> , R <sub>6</sub>	1Ω	Frquency Stability		Danger of Oscillation at High Frequency with inductive load	
C <sub>1</sub> , C <sub>2</sub>	2.2μF	Input D.C Decoupling	High Turn-on Pop Higher Low Frquency Cutooff Increase of Noise	High Turn-on Delay	
C <sub>3</sub>	22μF	Ripple Rejection	Degradation of Ripple Rejection	Better Ripple Rejection Ratio increase of the Switch-on time	
C <sub>6</sub> , C <sub>7</sub>	220μF	Feedback Input D.C Decoupling			
C <sub>8</sub> , C <sub>9</sub>	0.1μF	Frequency Stability	Danger of Oscillation		

\* : The closed loop gain must be higher than 26dB.

# KIA6240K

## SCHEMATIC DIAGRAM



## APPLICATION INFORMATION

12W Bridge Amplifier (THD=0.5%,  $G_V=40\text{dB}$ )

