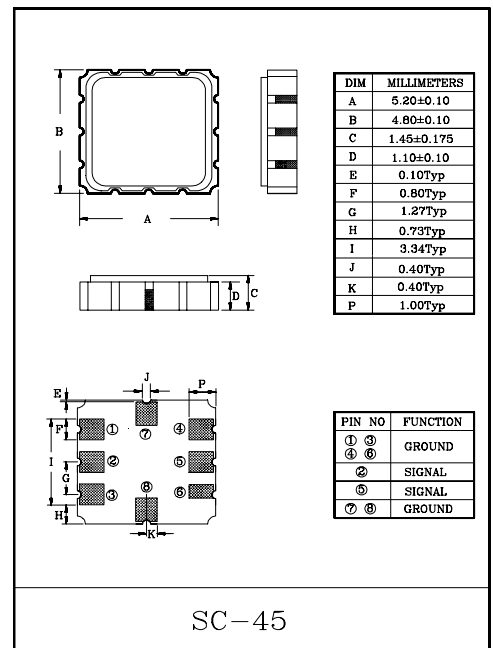
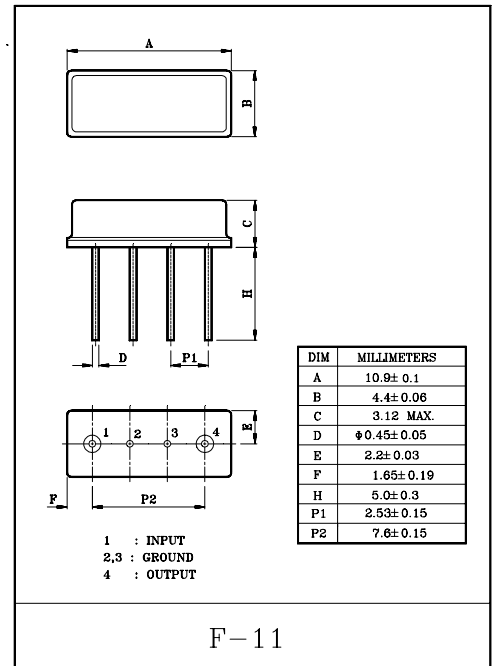


Band pass filters for the receiving RF circuits of pager

- High stability and reliability with good performance.
- Low insertion loss and deep stop band attenuation for interference.

MAXIMUM RATINGS (T_a=25°C)

ITEM	SYMBOL	RATING	UNIT
Input Signal Level	IS _{max}	0	dBm
DC Permissive Voltage	V _{DC}	+10	V
Operating Temperature Range	T _{opr}	-10~+50	°C
Storage Temperature Range	T _{stg}	-30~+85	°C

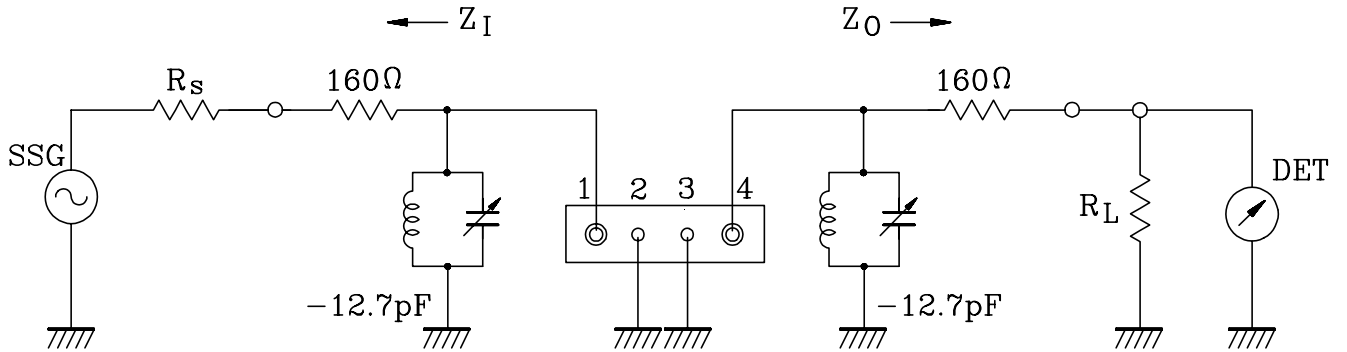


ELECTRICAL CHARACTERISTICS (Temperature 20±2°C, Humidity 65±5%)

ITEMS	SYMBOL	TEST CONDITION	MIN.	TYP.	MAX.	UNIT
Nominal Center Frequency	f ₀		-	171	-	MHz
Bandwidth	BW _{3dB}		f ₀ ±4.0	-	-	MHz
Insertion Loss	IL _{PASS}	f ₀ ±4.0MHz	-	-	6.0	dB
Rejection Level	IL _{STOP}	f ₀ -100~f ₀ -38.8MHz	50	-	-	dB
		f ₀ +38.8~f ₀ +100MHz	42	-	-	dB
Input/Output Impedance	Z _i (Z _o)		-	210Ω// -12.7pF	-	-

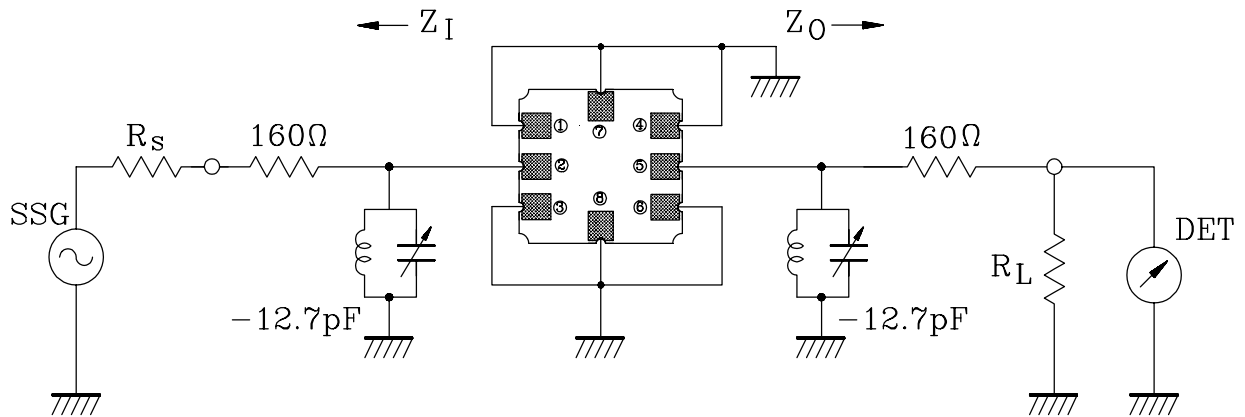
KF171/S

TEST CIRCUIT



1 : Input 2,3 : Ground 4 : Output

$R_s, R_L : 50\Omega$ (Internal Impedance of Source and Load)



② : INPUT ①, ③, ④, ⑥, ⑦, ⑧ : GROUND ⑤ : OUTPUT

KF171/S

