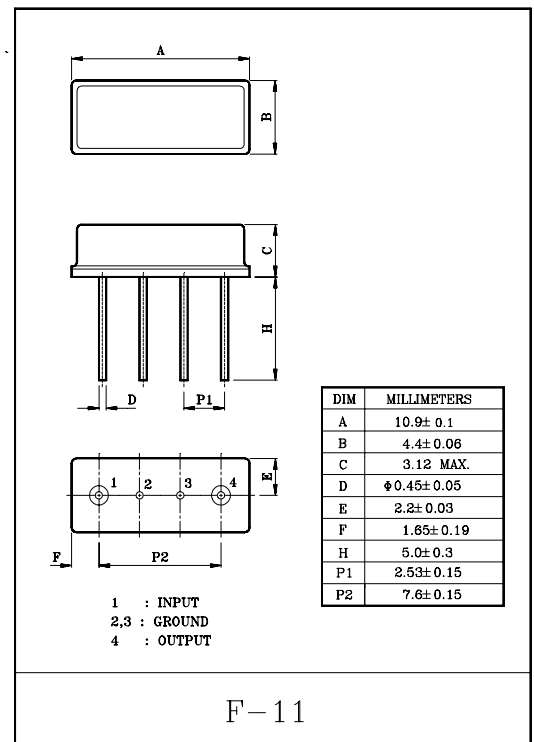


Band pass filters for the receiving RF circuits of transceiver

- High stability and reliability with good performance and no adjustment.
- Wide and sharp pass band characteristics.
- Low insertion loss and deep stop band attenuation for interference.
- Terminating Impedance : $50\Omega//0pF$
- SMD Package Type : (SC-45)KF448AS, (SC-44)KF448AV.
- $150\Omega//0pF$ Terminating Impedance Type : KF448B.

MAXIMUM RATINGS ($T_a=25^\circ C$)

ITEM	SYMBOL	RATING	UNIT
Input Signal Level	$I_{S_{max}}$	0	dBm
DC Permissive Voltage	V_{DC}	+10	V
Operating Temperature Range	T_{opr}	-20~+60	$^\circ C$
Storage Temperature Range	T_{stg}	-30~+85	$^\circ C$



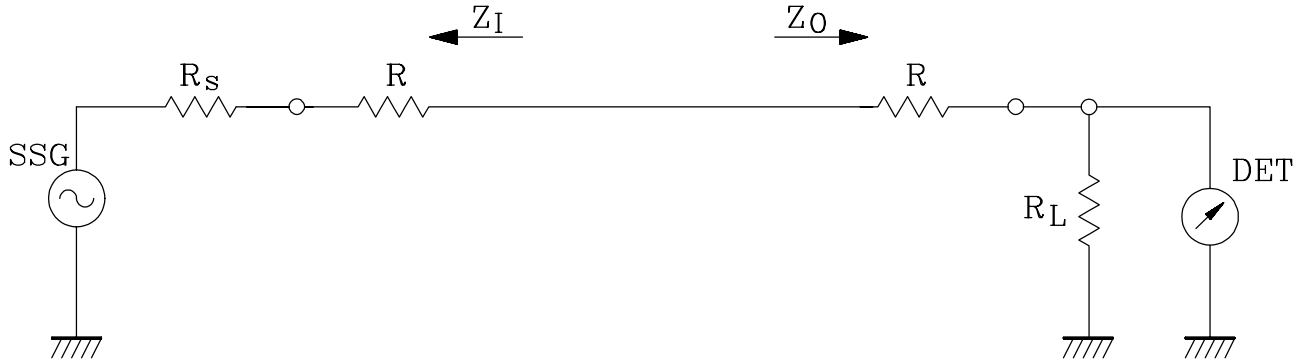
ELECTRICAL CHARACTERISTICS (Temperature $20\pm 2^\circ C$, Humidity $65\pm 5\%$)

ITEMS	SYMBOL	TEST CONDITION	MIN.	TYP.	MAX.	UNIT
Nominal Center Frequency	f_0	-	-	448	-	MHz
Bandwidth	BW_{3dB}	-	$f_0\pm 2.0$	-	-	MHz
Insertion Loss	IL_{PASS}	$f_0\pm 2.0MHz$	-	-	4.0	dB
Ripple Level	A_{RIP}	$f_0\pm 2.0MHz$	-	-	2.0	dB
Rejection Level	IL_{STOP}	$f_0-44.8\sim f_0-40.8MHz$	50	-	-	dB
		$f_0+40.8\sim f_0+44.8MHz$	45	-	-	dB
Input/Output Impedance	$Z_I(Z_O)$	-	-	$50\Omega//0pF$	-	-

KF448A

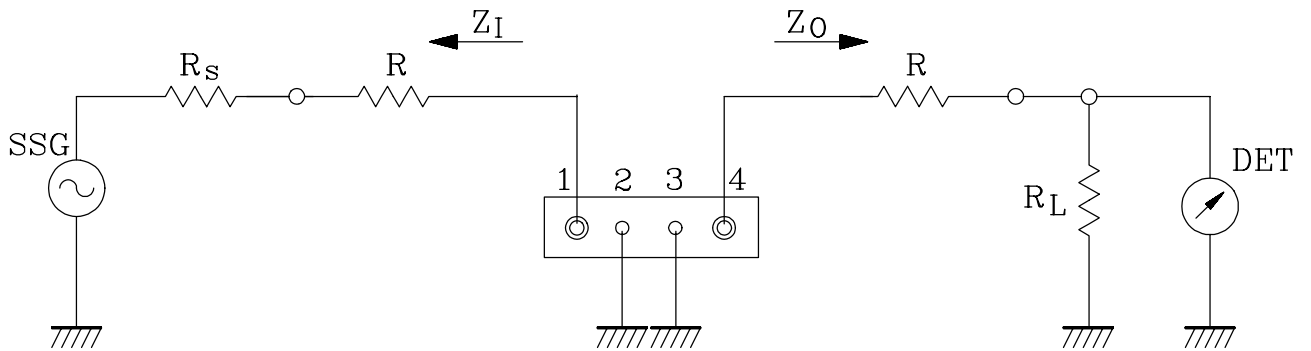
TEST CIRCUIT

REFERENCE LEVEL TEST CIRCUIT



$R_s, R_L : 50\Omega$ (Internal Impedance of Source and Load)
 $R : 0\Omega$
 $Z_I(Z_O)=R_s(R_L)+R$

MEASUREMENT CIRCUIT



1:Input 2,3:Ground 4:Output

$R_s, R_L : 50\Omega$ (Internal Impedance of Source and Load)
 $R : 0\Omega$
 $Z_I(Z_O)=R_s(R_L)+R$