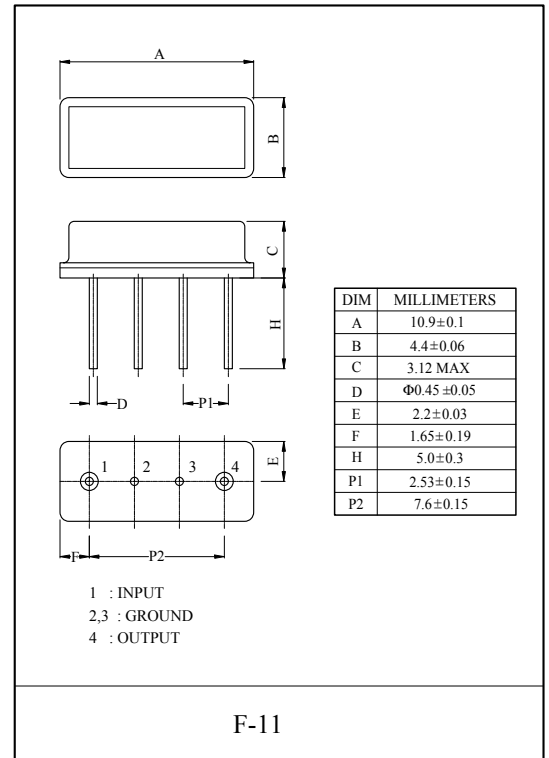


Band pass filter for the IF circuits of cordless phone

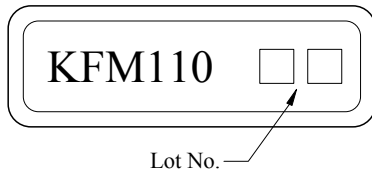
- Low insertion loss.
- High selectivity.

MAXIMUM RATING (Ta=25°C)

| ITEM | SYMBOL | RATING | UNIT |
|-----------------------------|-------------------|-----------|------|
| Input Signal Level | IS _{max} | 0 | dBm |
| DC Permissive Voltage | V _{DC} | +10 | V |
| Operating Temperature Range | T _{opr} | -10 ~ +60 | °C |
| Storage Temperature Range | T _{stg} | -40 ~ +85 | °C |



MARKING



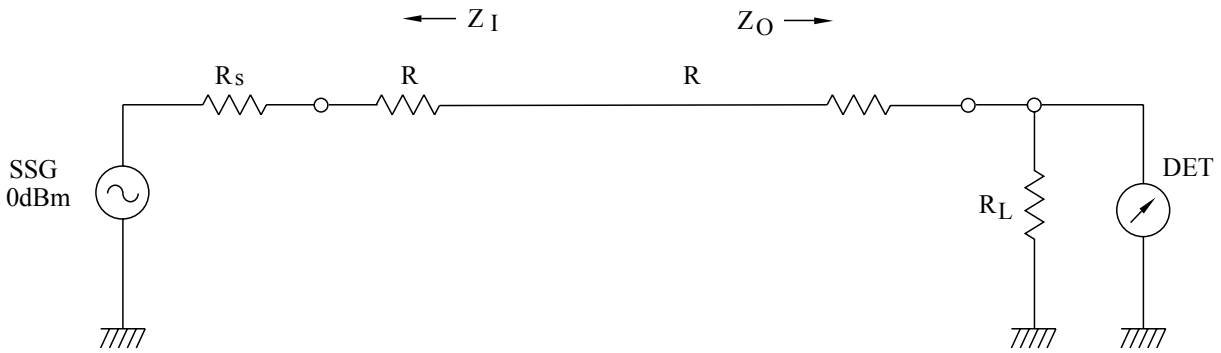
ELECTRICAL CHARACTERISTICS (Temperature 25°C)

| ITEMS | SYMBOL | TEST CONDITION | MIN. | TYP. | MAX. | UNIT |
|--|----------------------------------|------------------------------|----------------------|-----------------|------|-------|
| Nominal Center Frequency | f ₀ | - | - | 110.592 | - | MHz |
| Bandwidth | BW _{3dB} | - | f ₀ ± 0.4 | - | - | MHz |
| Insertion Loss | IL | at minimum loss point | - | 3.0 | 4.0 | dB |
| Rejection Level (from minimum loss point) | IL _{STOP} | f ₀ -3 × 1.728MHz | 41 | 46 | - | dB |
| | | f ₀ -2 × 1.728MHz | 30 | 35 | - | |
| | | f ₀ -1.728MHz | 29 | 34 | - | |
| | | f ₀ -1.15MHz | 6 | 17 | - | |
| | | f ₀ +1.15MHz | 6 | 10 | - | |
| | | f ₀ +1.728MHz | 25 | 30 | - | |
| | | f ₀ +2 × 1.728MHz | 27 | 32 | - | |
| Group Delay Time Deviation | G.D.T | f ₀ ± 0.4MHz | - | - | 0.75 | μsec. |
| Input/Output Impedance | Z _I (Z _O) | - | - | 300 Ω // 1.2 μH | - | - |

KFM110

TEST CIRCUIT

REFERENCE LEVEL TEST CIRCUIT

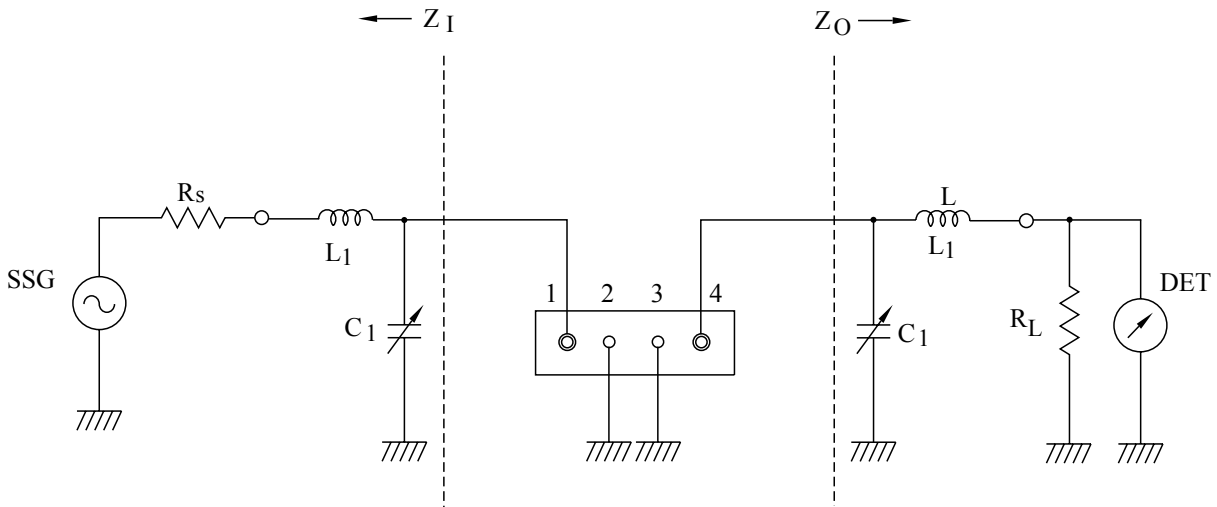


$R_s, R_L : 50\Omega$ (Internal Impedance of Source and Load)

$R : 0\Omega$

$$Z_I(Z_O) = R_s(R_L) + R$$

MEASUREMENT CIRCUIT



1: Input 2, 3 : Ground 4: Output

$R_s, R_L : 50\Omega$ (Internal Impedance of Source and Load)

$C_1 : 7\text{pF}$ (Reference value)

$L_1 : 150\text{nH}$ (Reference value)