

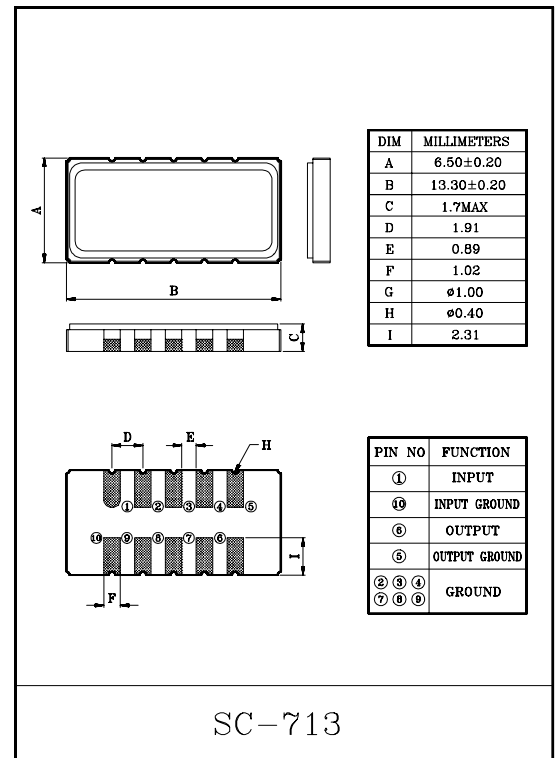
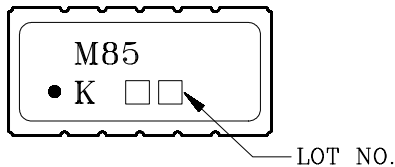
Band pass filter for CDMA IF stage.

- Low Insertion Loss.
- Balanced or Unbalanced operation possible.
- Source impedance : 50Ω single or 500Ω balanced and matching circuit.
- Load impedance : 50Ω single or 500Ω balanced and matching circuit.

MAXIMUM RATINGS

ITEM	SYMBOL	RATING	UNIT
Input Signal Level	IS_{max}	+10	dBm
DC Permissive Voltage	V_{DC}	0	V
Operating Temperature Range	T_{opr}	-30~+80	°C
Storage Temperature Range	T_{stg}	-40~+85	°C

Marking



ELECTRICAL CHARACTERISTICS

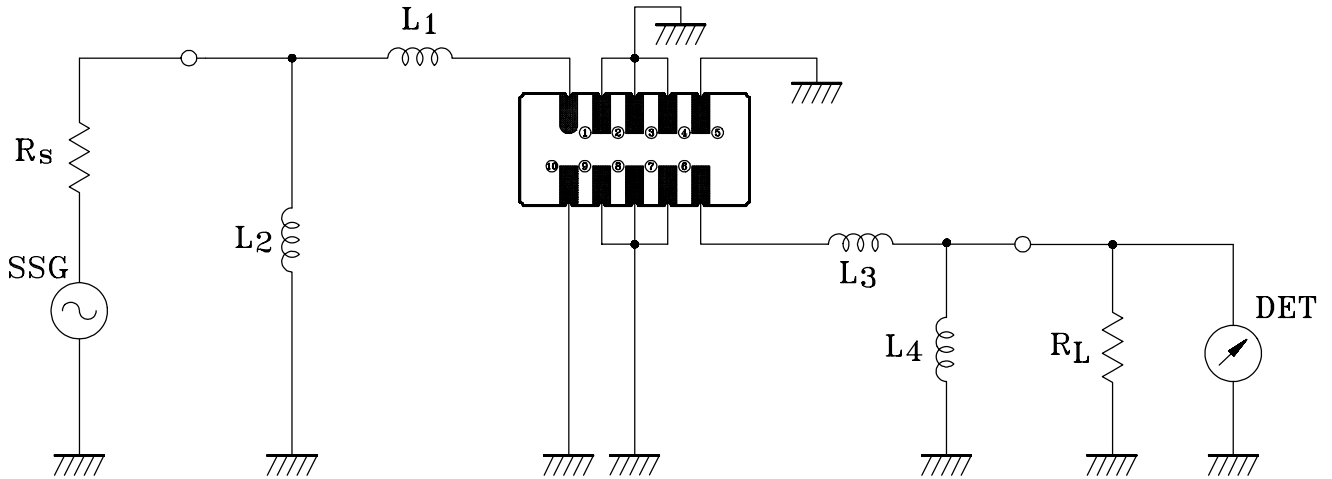
ITEMS	SYMBOL	TEST CONDITION	MIN.	TYP.	MAX.	UNIT
Nominal Center Frequency	f_0	-	-	85.38	-	MHz
Insertion Loss	IL	-	-	10.7	12	dB
Relative Attenuation (Ref. : IL)	IL_{STOP}	$f_0-0.630\text{MHz}$	-	3.5	5	dB
		$f_0+0.630\text{MHz}$	-	3.5	5	
		$f_0-0.900\text{MHz}$	33	40~50	-	
		$f_0+0.900\text{MHz}$	33	40~50	-	
		$f_0-1.250\text{MHz}$	33	35~40	-	
		$f_0+1.250\text{MHz}$	33	35~40	-	
		$f_0-1.700\text{MHz}$	33	46~48	-	
		$f_0+1.700\text{MHz}$	33	46~48	-	
		$f_0-2.050\text{MHz}$	33	40~43	-	
		$f_0+2.050\text{MHz}$	33	40~43	-	
		$f_0-9.000\text{MHz}$	45	55	-	
$f_0+9.000\text{MHz}$	45	55	-			
Amplitude Ripple	A_{rip}	at $f_0 \pm 0.300\text{MHz}$	-	0.35	0.7	dB _(p-p)
Phase Linearity	PL	at $f_0 \pm 0.630\text{MHz}$	-	1.9	3	deg rms
Source/Load Impedance	-	-	-	$50\Omega/50\Omega$ $500\Omega/500\Omega$	-	Ω

note) "*" : Can be used 50Ω to $1k\Omega$ with degradation in Insertion Loss.

KFM85M

Matching Configuration

Matching circuit for $50\Omega/50\Omega$ single ended loads



$R_s, R_L : 50\Omega$ (Internal Impedance of Source and Load)

$L_1=248\text{nH}$

$L_2=44\text{nH}$

$L_3=94\text{nH}$

$L_4=50\text{nH}$