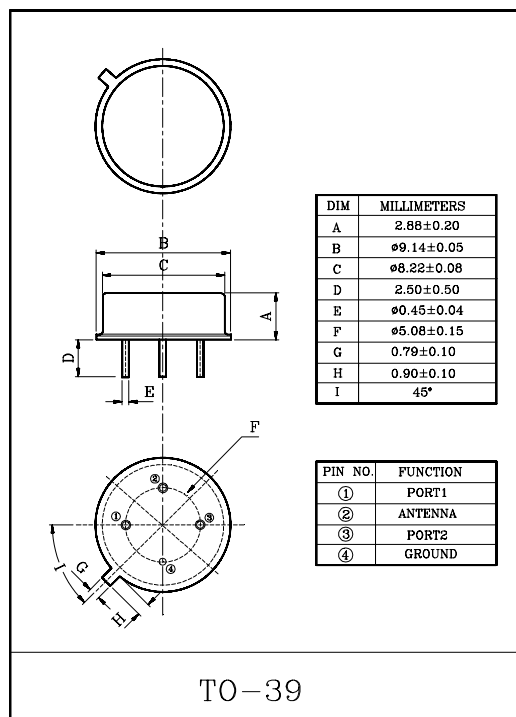


RF Duplexer for Cordless phone (CT-1+)

- High stability and reliability with good performance and no adjustment.
- Wide and sharp pass band characteristics.
- Low insertion loss and deep stop band attenuation for interference.

MAXIMUM RATINGS (Ta=25°C)

ITEM	SYMBOL	RATING	UNIT
Input Signal Level	IS _{max}	17	dBm
DC Permissive Voltage	V _{DC}	3	V
Operating Temperature Range	T _{opr}	0~+60	°C
Storage Temperature Range	T _{stg}	-40~+85	°C



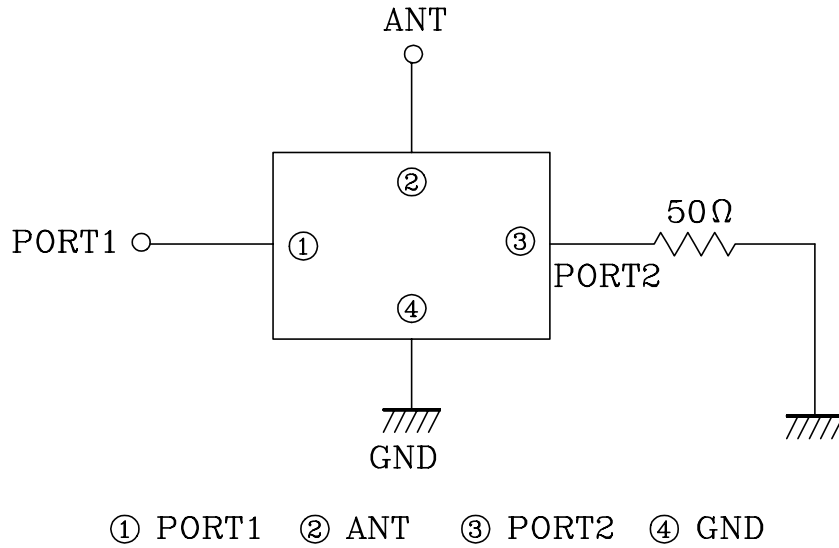
ELECTRICAL CHARACTERISTICS (Temperature 25±2°C, Humidity 65±5%)

ITEMS	SYMBOL	PORT 1				PORT 2				UNIT
		TEST CONDITION	MIN.	TYP.	MAX.	TEST CONDITION	MIN.	TYP.	MAX.	
Center Frequency	f ₀	-	-	886.0	-	-	-	931.0	-	MHz
Bandwidth	BW _{3dB}	-	f ₀ ±1.0	-	-	-	f ₀ ±1.0	-	-	MHz
Insertion Loss	IL _{PASS}	f ₀ ±1.0MHz	-	-	4.0	f ₀ ±1.0MHz	-	-	4.0	dB
Ripple Level	A _{RIP}	f ₀ ±1.0MHz	-	-	2.0	f ₀ ±1.0MHz	-	-	2.0	dB
Rejection Level	IL _{STOP}	450.00~844.20MHz	42	-	-	450.00~859.00MHz	45	-	-	dB
		844.20~865.60MHz	32	-	-	859.00~889.20MHz	40	-	-	dB
		865.60~876.30MHz	5	-	-	889.20~910.60MHz	32	-	-	dB
		895.70~904.00MHz	6	-	-	910.60~921.30MHz	5	-	-	dB
		904.00~908.40MHz	32	-	-	940.70~949.00MHz	8	-	-	dB
		908.40~927.80MHz	26	-	-	949.00~951.40MHz	20	-	-	dB
		927.80~930.00MHz	29	-	-	951.40~953.40MHz	29	-	-	dB
		930.00~932.00MHz	39	-	-	953.40~972.80MHz	23	-	-	dB
		932.00~951.00MHz	41	-	-	972.80~980.00MHz	26	-	-	dB
		951.00~1000.00MHz	45	-	-	980.00~1022.00MHz	42	-	-	dB
		1000.00~1350.00MHz	40	-	-	1022.00~1350.00MHz	41	-	-	dB
1350.00~1800.00MHz	27	-	-	1350.00~1800.00MHz	28	-	-	dB		
Input/Output Impedance	Z _i (Z _o)	-	-	50Ω	-	-	50Ω	-	-	

KFX8631T

MEASUREMENT CIRCUIT

(1) BETWEEN PORT1 AND ANTENNA



(2) BETWEEN PORT2 AND ANTENNA

