

CDI CONTROL SYSTEM IC

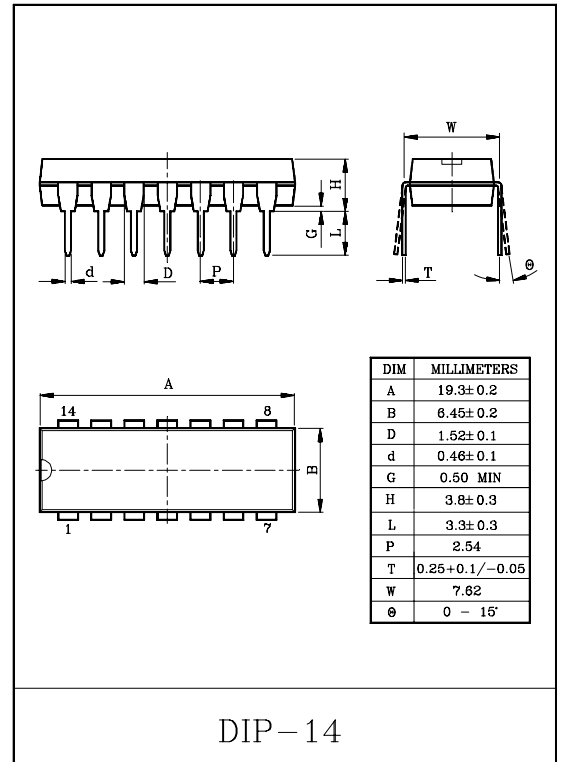
The KIA6988P is designed for motor cycle condenser discharge ignition system application

FEATURES

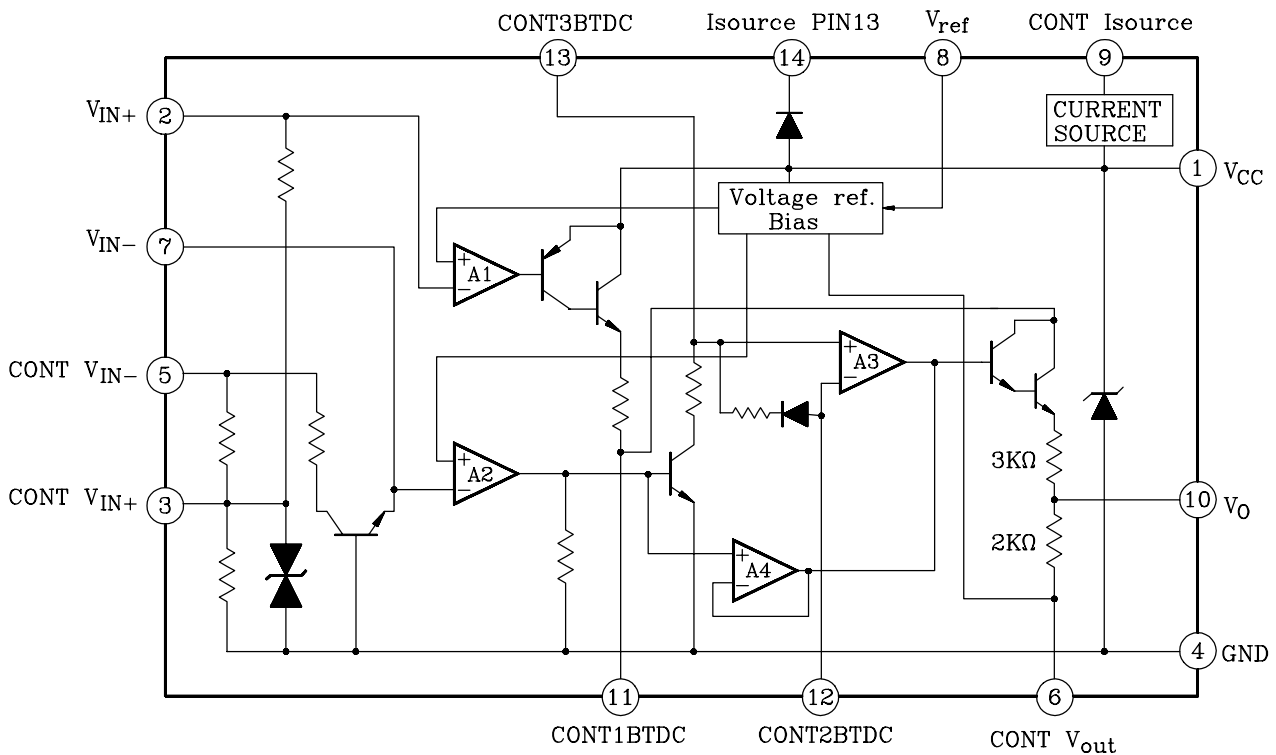
- 14-Pin Dual in line Package.

MAXIMUM RATINGS (Ta=25°C).

CHARACTERISTIC	SYMBOL	RATING	UNIT
Supply Current	I_{CC}	30	mA
Power Dissipation	P_D	480	mW
Operating Temperature	T_{opr}	-20~85	°C
Storage Temperature	T_{stg}	-55~125	°C

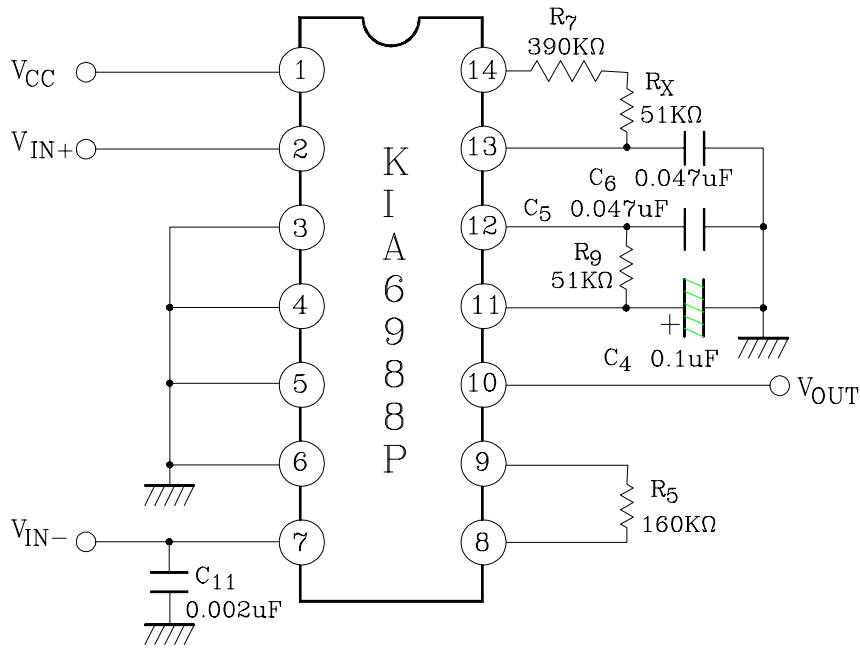


BLOCK DIAGRAM



KIA6988P

TEST CIRCUIT



ELECTRICAL CHARACTERISTICS (Ta=25°C, VCC=8.8V)

CHARACTERISTIC	SYMBOL	TEST CONDITION	MIN.	TYP.	MAX.	UNIT
Regulated Voltage	V _Z	I _{CCZ} =2mA	7.8	8.6	9.4	V
② pin V _{IN} ON	V _{INH+}	V _{IN7} =-0.2V	0.7	-	-	V
② pin V _{IN} OFF	V _{INL+}	V _{IN7} =-0.2V	-	-	0.4	V
⑦ pin V _{IN} ON	V _{INH-}	V _{IN2} =0.85V	-1.0	-	-0.2	V
⑦ pin V _{IN} OFF	V _{INL-}	V _{IN2} =0.85V	0.7	-	-	V
⑧ pin V _{OUT} HIGH	V _{OH8}	V _{IN2} =0.85V, V _{IN7} =-0.2V	1.0	1.3	1.6	V
⑧ pin V _{OUT} LOW	V _{OL8}	V _{IN2} =0V, V _{IN7} =-0.2V	0.6	0.9	1.2	V
⑩ pin OUTPUT CURRENT	I _{OH10}	V _{IN2} =0.85V, V _{IN7} =-0.2V	1.9	2.5	-	mA
⑩ pin V _{OUT} HIGH	V _{OH10}	V _{IN2} =0.85V, V _{IN7} =-0.2V, I _L =0mA	2.4	3.0	4.5	V
⑩ pin V _{OUT} LOW	V _{OL10}	V _{IN2} =0V, V _{IN7} =-0.2V, I _L =0mA	-	-	0.4	V
⑪ pin V _{OUT} HIGH	V _{OH11}	V _{IN2} =0.85V, V _{IN7} =-0.2V	-	7.8	-	V
⑫ pin V _{OUT} HIGH	V _{OH12}	V _{IN2} =0.85V, V _{IN7} =-0.2V	-	3.9	-	V
⑬ pin V _{OUT} HIGH	V _{OH13}	V _{IN2} =0V, V _{IN7} =0.8V	-	6.7	-	V
⑬ pin V _{OUT} LOW	V _{OL13}	V _{IN2} =0.85V, V _{IN7} =-0.2V	-	0.2	-	V

KIA6988P

APPLICATION CIRCUIT

