

ALTERNATOR DIODE FOR AUTOMOTIVE APPLICATION.

FEATURES

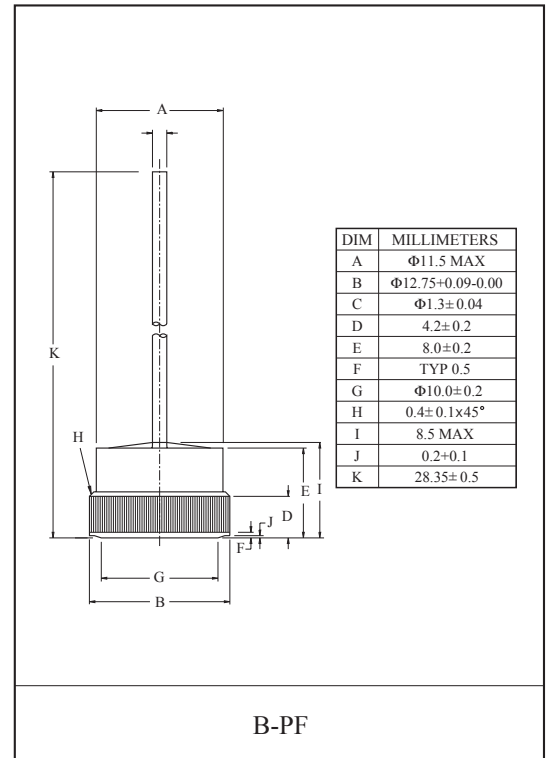
- Average Forward Current : $I_O=35A$.
- Repetitive Peak Reverse Voltage : $V_{RRM}=200V$

POLARITY

E35A2CBS E35A2CBR
(+ Type) (- Type)

MAXIMUM RATING (Ta=25°C)

| CHARACTERISTIC | SYMBOL | RATING | UNIT |
|---------------------------------|-------------|------------|------|
| Average Forward Current | $I_{F(AV)}$ | 35 | A |
| Peak 1 Cycle Surge Current | I_{FSM} | 300 (60Hz) | A |
| Repetitive Peak Reverse Voltage | V_{RRM} | 200 | V |
| Junction Temperature | T_j | -40~215 | °C |
| Storage Temperature Range | T_{stg} | -40~215 | °C |



ELECTRICAL CHARACTERISTICS (Ta=25°C)

| CHARACTERISTIC | SYMBOL | TEST CONDITION | MIN. | TYP. | MAX. | UNIT |
|--|--------------|-------------------------------------|------|------|------|------|
| Forward Voltage | V_F | $I_{FM}=100A$ | - | - | 1.10 | V |
| Reverse Voltage | V_R | $I_R=5mA$ | 200 | - | - | V |
| Reverse Current | I_R | $V_R=200V$ | - | - | 50 | μA |
| Transient Thermal Resistance | ΔV_F | $I_{FM}=100A, I_M=100mA, P_w=100ms$ | - | - | 100 | mV |
| Reverse Leakage Current Under High Temperature | HI_R | $T_a=150^\circ C, V_R=200V$ | - | - | 2.5 | mA |
| Reverse Recovery Time | t_{rr} | $I_F=0.1A, I_R=0.1A$ | - | - | 15 | μs |
| Temperature Resistance | R_{th} | DC total Junction to case | - | - | 0.8 | °C/W |