

AA3528F3C

AA3528SF4C

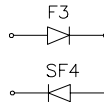
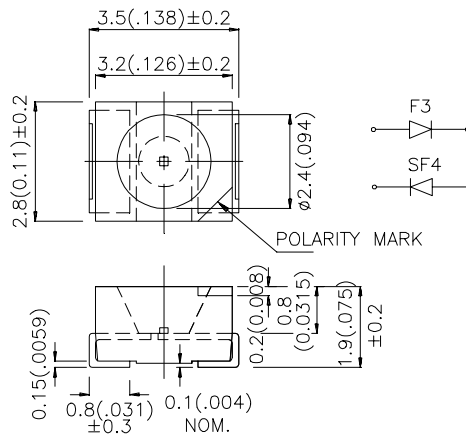
Features

- SUITABLE FOR ALL SMT ASSEMBLY AND SOLDER PROCESS.
- AVAILABLE ON TAPE AND REEL.
- COMPATIBLE WITH AUTOMATIC PLACEMENT EQUIPMENT.
- HIGH RELIABILITY AND LONG LIFETIME.
- PACKAGE: 1500 PCS/REEL.

Description

F3 Made with Gallium Arsenide Infrared Emitting diodes.
 SF4 Made with Gallium Aluminum Arsenide Infrared Emitting diodes.

Package Dimensions



Notes:

1. All dimensions are in millimeters (inches).
2. Tolerance is $\pm 0.25(0.01)$ " unless otherwise noted.
3. Lead spacing is measured where the lead emerge package.
4. Specifications are subject to change without notice.

Selection Guide

| Part No. | Dice | Lens Type | Po= (mW/sr) @20mA *50mA | | Viewing Angle |
|------------|--------|-------------|----------------------------|------|------------------|
| | | | Min. | Typ. | θ1/2 |
| AA3528F3C | GaAs | WATER CLEAR | 1 | 3 | 120° |
| | | | *3 | *8 | 120° |
| AA3528SF4C | GaAlAs | WATER CLEAR | 0.8 | 1.5 | 120° |
| | | | *2 | *4 | 120° |

Note:

1. θ1/2 is the angle from optical centerline where the luminous intensity is 1/2 the optical centerline value.

Electrical / Optical Characteristics at T_A=25°C

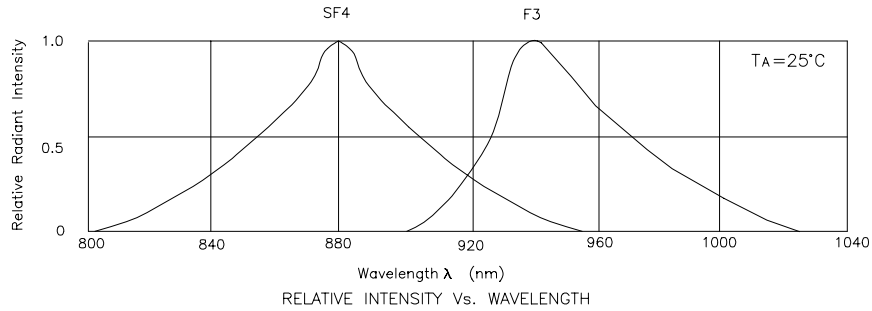
| Item | P/N | Symbol | Typ. | Max. | Unit | Condition |
|--------------------------|-----------|----------------|------------|------------|------|------------|
| Forward Voltage | F3 SF4 | V _F | 1.2 1.3 | 1.5 1.7 | V | IF=20mA |
| Reverse Current | F3 SF4 | I _r | - | 10 10 | uA | VR=5V |
| Junction Capacitance | F3 SF4 | C | 90 90 | - | pF | V=0 f=1MHz |
| Peak Spectral Wavelength | F3 SF4 | λ _P | 940 880 | - | nm | IF=20mA |
| Spectral Bandwidth | F3 SF4 | Δλ | 50 50 | - | nm | IF=20mA |

Absolute Maximum Ratings at T_A=25°C

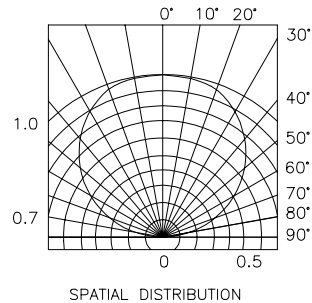
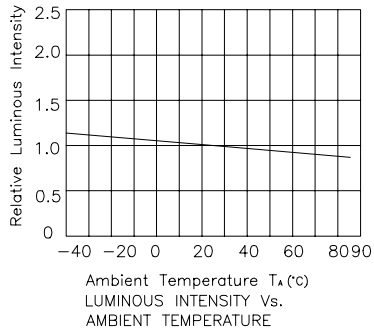
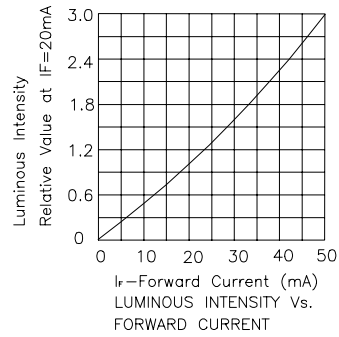
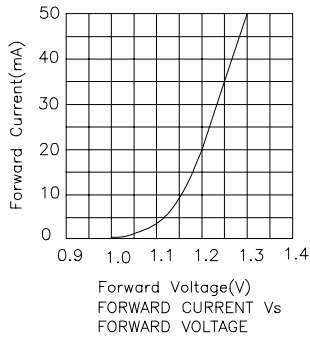
| Item | Symbol | Maximum Rating | Units |
|-----------------------|------------------|----------------|-------|
| Power Dissipation | P _T | 100 | mW |
| Forward Current | I _F | 50 | mA |
| Peak Forward Current | i _{FS} | 1.2 | A |
| Reverse Voltage | V _R | 5 | V |
| Operating Temperature | T _A | -40~ +85 | °C |
| Storage Temperature | T _{STG} | -40~ +85 | °C |

Note:

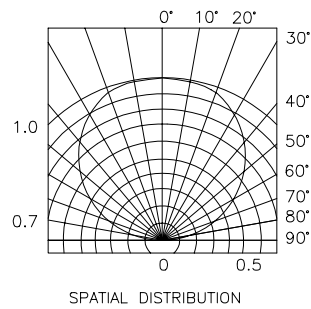
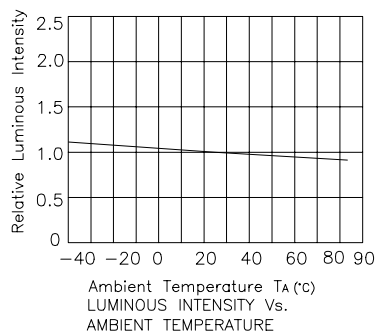
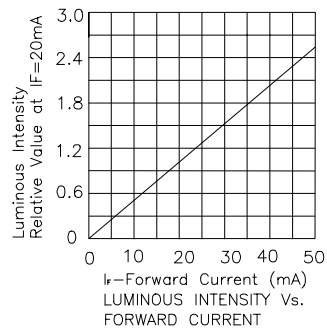
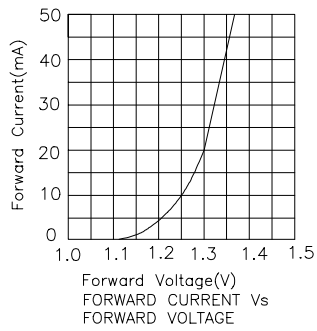
1. Ip Condition : 1/100 Duty Cycle, 10us Pulse Width.



AA3528F3C

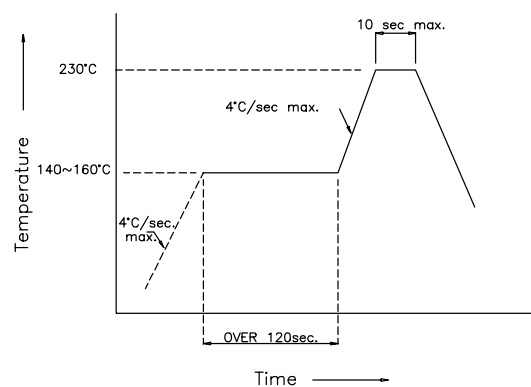


AA3528SF4C

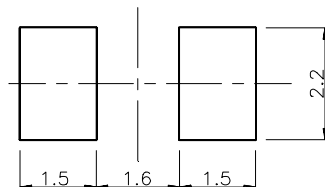


AA3528F3C,AA3528SF4C SMT Reflow Soldering Instructions

Number of reflow process shall be less than 2 times and cooling process to normal temperature is required between first and second soldering process.



KA-3528F3C,KA-3528SF4C Recommended Soldering Pattern (Units : mm)



AA3528F3C,AA3528SF4C Tape Specifications (Units : mm)

