

BL0307-50-44

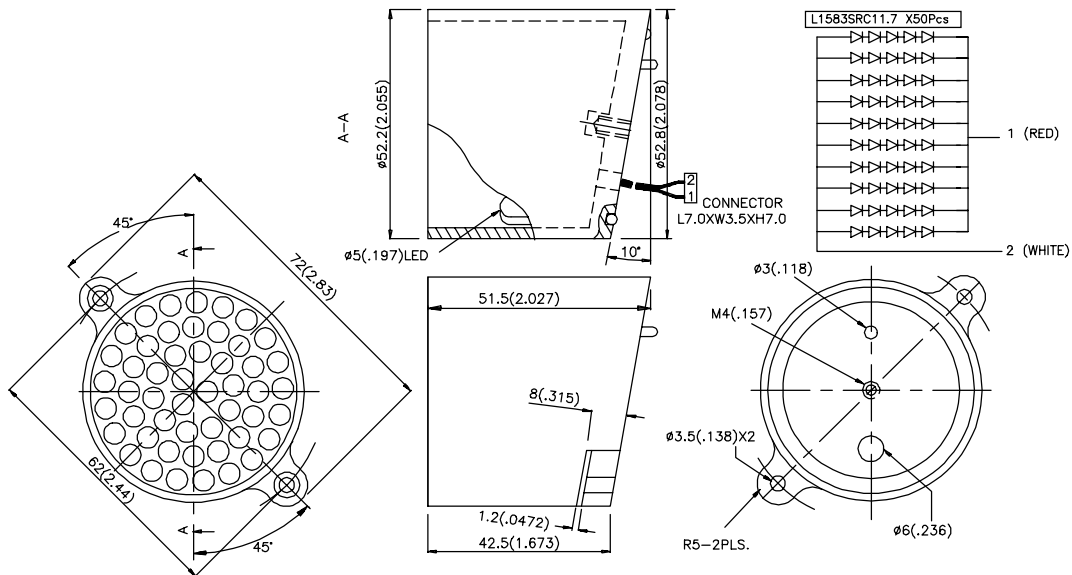
Features

- WATERPROOF CONSTRUCTION.
- SUITABLE FOR OUTDOOR APPLICATIONS, SIGNBOARD OR MESSAGE BOARD, ETC.
- BOTH SINGLE COLOR AND MULTI-COLOR (RED, GREEN & ORANGE) ARE AVAILABLE.

Description

The Super Bright Red source color devices are made with Gallium Aluminum Arsenide Red Light Emitting Diode.

Package Dimensions



Notes:

1. All dimensions are in millimeters (inches).
2. Tolerance is $\pm 0.25(0.01)$ unless otherwise noted.
3. Lead spacing is measured where the lead emerge package.
4. Specifications are subjected to change without notice.

Electrical / Optical Characteristics at T_A=25°C

Symbol	Parameter	Device	Min.	Typ.	Max.	Units	Test Conditions
I _V	Luminous Intensity	BL0307-50-44	16000	20000	-	mcd	IF=200mA
θ	Viewing Angle		-	40	-	Deg	-
V _F	Forward Voltage		-	9.6	11.2	V	IF=200mA
λ _{peak}	Peak Wavelength		-	660	-	nm	IF=200mA
Δλ _{1/2}	Spectral Line Halfwidth		-	20	-	nm	IF=200mA
I _R	Reverse Current		-	-	100	uA	VR = 18V
F _C	Response Frequency		-	8	-	MHz	-

Absolute Maximum Ratings at T_A=25°C

Parameter	Super Bright Red	Units
Power dissipation	2.5	W
DC Forward Current	250	mA
Reverse Voltage	5	V
Operation Temperature	-5 to +65	°C
Storage Temperature	-10 to +85	°C