

Selection Guide

Part No.	Dice	Lens Type	Po (mW/sr) @20mA		Po (mW/sr) @50mA		Viewing Angle
			Min.	Typ.	Min.	Typ.	θ1/2
L34F3C	GaAs	WATER CLEAR	2	10	5	20	50°
L34F3BT	GaAs	BLUE TRANSPARENT	2	5	8	20	50°
L34SF4C	GaAlAs	WATER CLEAR	2	10	5	20	50°
L34SF4BT	GaAlAs	BLUE TRANSPARENT	2	4	8	20	50°

Note:

1. θ1/2 is the angle from optical centerline where the luminous intensity is 1/2 the optical centerline value.

Electrical / Optical Characteristics at T_A=25°C

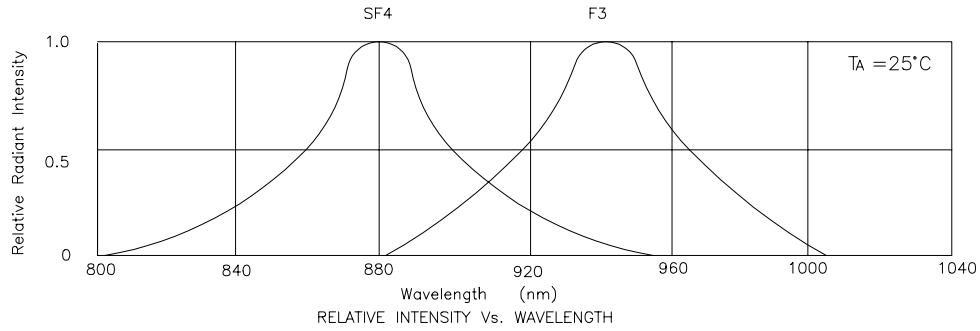
Item	P/N	Symbol	Typ.	Max.	Unit	Condition
Forward Voltage	F3 SF4	V _F	1.2 1.3	1.5 1.7	V	IF=20mA
Reverse Current	F3 SF4	I _R	-	10 10	μA	VR=5V
Junction Capacitance	F3 SF4	C	90 90	-	pF	V=0 f=1MHz
Peak Spectral Wavelength	F3 SF4	λ _P	940 880	-	nm	IF=20mA
Spectral Bandwidth	F3 SF4	Δλ	50 50	-	nm	IF=20mA

Absolute Maximum Ratings at T_A=25°C

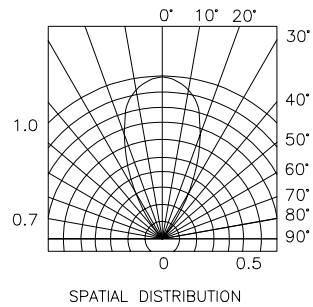
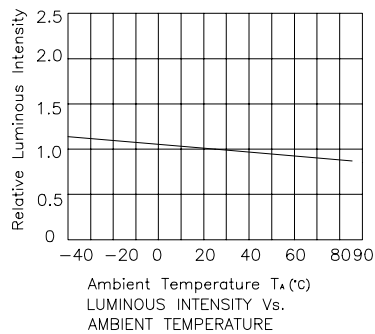
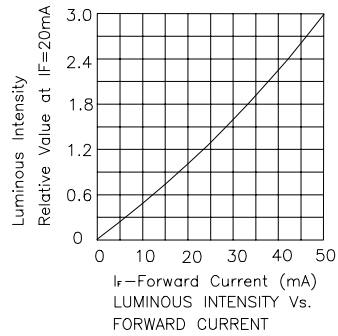
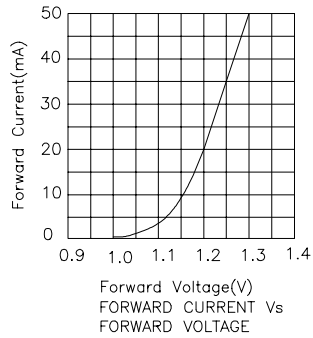
Item	Symbol	F3&SF4	Units
Power Dissipation	PT	100	mW
Forward Current	I _F	50	mA
Peak Forward Current	I _p	1.2	A
Reverse Voltage	V _R	5	V
Operating Temperature	T _A	-40~ +85	°C
Storage Temperature	T _{stg}	-40~ +85	°C

Notes:

1. 1/10 Duty Cycle, 0.1ms Pulse Width.
2. 4mm below package base.



L34F3C, L34F3BT



L34SF4C, L34SF4BT

