

L7104PBD	BLUE
L7104PBT	BLUE
L7104PBC	BLUE

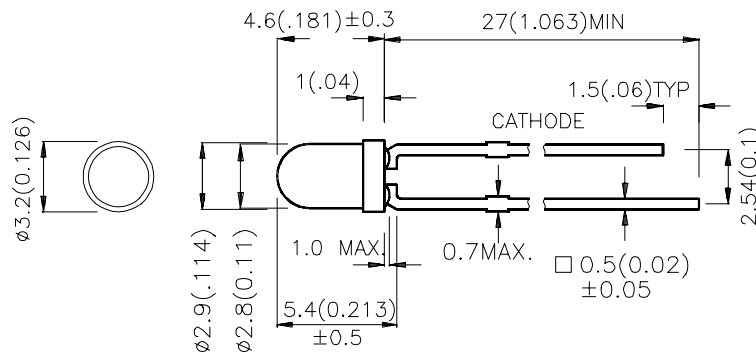
### Features

- LOW POWER CONSUMPTION.
- SOLID STATE BLUE LIGHT SOURCE.
- SUITABLE FOR FULL COLOR LED DISIPLAYS AND INDICATORS DIAGNOSTIC/ANALYTICAL EQUIPMENT.

### Description

The Blue source color devices are made with InGaN on SiC Light Emitting Diode.

### Package Dimensions



#### Notes:

1. All dimensions are in millimeters (inches).
2. Tolerance is  $\pm 0.25(0.01)$  unless otherwise noted.
3. Lead spacing is measured where the lead emerge package.
4. Specifications are subject to change without notice.

## Selection Guide

Part No.	Dice	Case-Color	Iv (mcd) @ 20 mA		Viewing Angle
			Min.	Typ.	θ1/2
L7104PBD	Blue (InGaN)	BLUE DIFFUSED	70	200	30°
L7104PBT	Blue (InGaN)	BLUE TRANSPARENT	110	250	20°
L7104PBC	Blue (InGaN)	WATER CLEAR	110	350	20°

Note:

1. θ1/2 is the angle from optical centerline where the luminous intensity is 1/2 the optical centerline value.

## Electrical / Optical Characteristics at T<sub>A</sub>=25°C

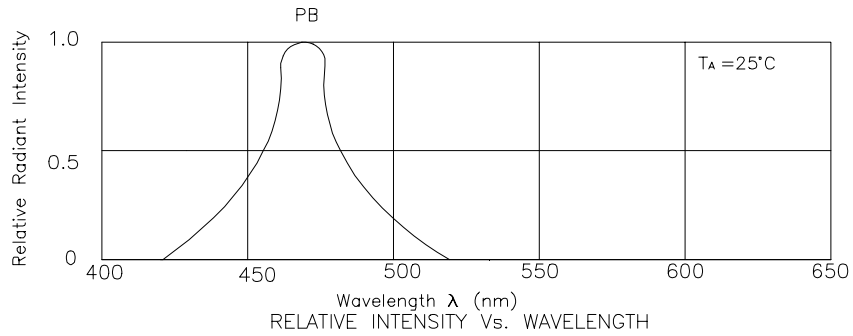
Symbol	Parameter	Device	Typ.	Max.	Units	Test Conditions
λ <sub>peak</sub>	Peak Wavelength	Blue	468		nm	IF=20mA
λ <sub>D</sub>	Dominate Wavelength	Blue	465		nm	IF=20mA
Δλ <sub>1/2</sub>	Spectral Line Halfwidth	Blue	25		nm	IF=20mA
C	Capacitance	Blue	65		pF	VF=0V;f=1MHz
V <sub>F</sub>	Forward Voltage	Blue	3.65	4.2	V	IF=20mA
I <sub>R</sub>	Reverse Current	Blue		10	uA	VR = 5V

## Absolute Maximum Ratings at T<sub>A</sub>=25°C

Parameter	Blue	Units
Power dissipation	102	mW
DC Forward Current	30	mA
Peak Forward Current [1]	160	mA
Reverse Voltage	5	V
Operating Temperature	-20°C To +80°C	
Storage Temperature	-30°C To +85°C	
Lead Solder Temperature [2]	260°C For 5 Seconds	

Notes:

1. 1/10 Duty Cycle, 0.1ms Pulse Width.
2. 4mm below package base.



## Blue L7104PBD,L7104PBT,L7104PBC

