

Selection Guide

Part No.	Dice	Lens Type	Iv (mcd) @ 20 mA *70mA		Viewing Angle
			Min.	Typ.	
L7676CSEC-E	HYPER ORANGE (InGaAIP)	WATER CLEAR	500	800	70°
			*1500	*2800	70°
L7676CSEC-G	HYPER ORANGE (InGaAIP)	WATER CLEAR	700	1200	70°
			*1200	*3500	70°
L7676CSEC-H	HYPER ORANGE (InGaAIP)	WATER CLEAR	1500	1800	70°
			*5000	*7000	70°
L7676CSYC	SUPER BRIGHT YELLOW (InGaAIP)	WATER CLEAR	200	400	70°
			*300	*700	70°
L7676CSURC	HYPER RED (InGaAIP)	WATER CLEAR	300	500	70°
			*700	*1000	70°
L7676CSURC-E	HYPER RED (InGaAIP)	WATER CLEAR	300	600	70°
			*700	*1000	70°

NOTES FOR L7676C SERIES:

*1. DRIVE CURRENT BETWEEN 10mA AND 30mA ARE RECOMMENDED FOR LONG TERM PERFORMANCE.

*2. OPERATION AT CURRENT BELOW 10mA IS NOT RECOMMENDED.

Absolute Maximum Ratings at T_A=25°C

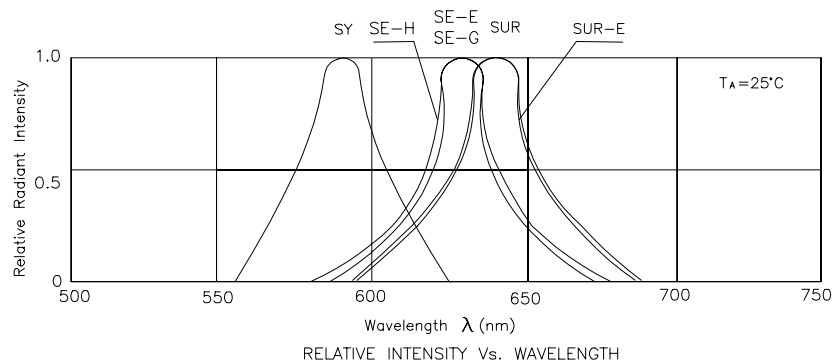
Parameter	Hyper Orange (SE-E)	Hyper Orange (SE-G)	Hyper Orange (SE-H)	Super Bright Yellow	Hyper Red (SUR)	Hyper Red (SUR-E)	Units
Power dissipation	150	125	120	125	170	150	mW
DC Forward Current	40	30	30	30	30	40	mA
Peak Forward Current [1]	195	200	150	175	185	200	mA
Reverse Voltage	5	5	5	5	5	5	V
Operating/Storage Temperature	-40°C To +85°C						
Lead Solder Temperature [2]	260°C For 5 Seconds						

Notes:

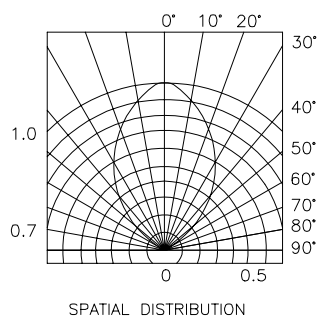
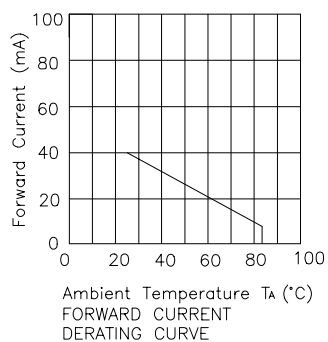
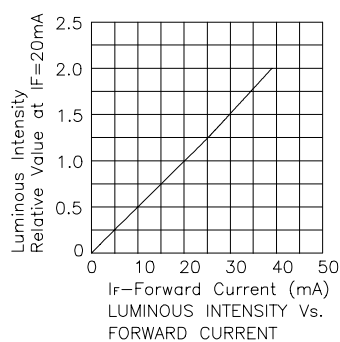
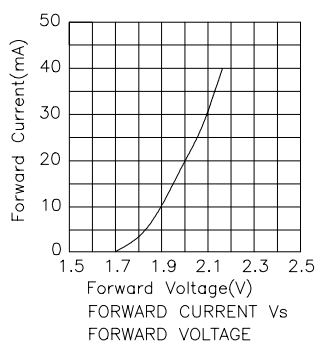
1. 1/10 Duty Cycle, 0.1ms Pulse Width.
2. 4mm below package base.

Electrical / Optical Characteristics at T_A=25°C

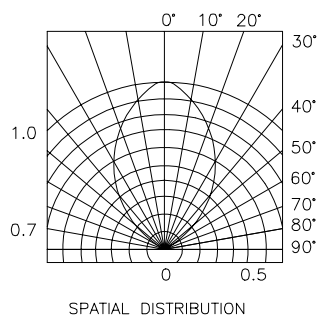
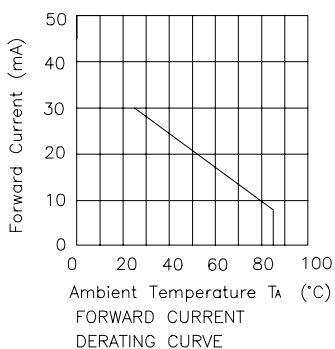
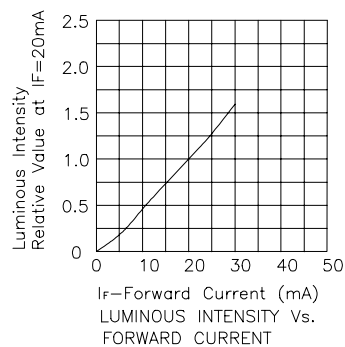
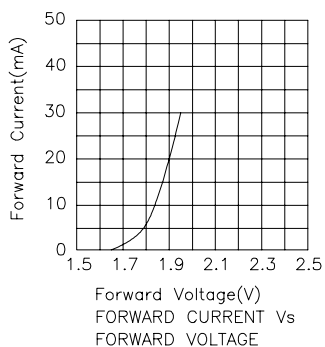
Symbol	Parameter	Device	Typ.	Max.	Units	Test Conditions
λ_{peak}	Peak Wavelength	Hyper Orange (SE-E) Hyper Orange (SE-G) Hyper Orange (SE-H) Super Bright Yellow Hyper Red (SUR) Hyper Red (SUR-E)	630 630 630 590 640 640		nm	IF=20mA
λ_D	Dominate Wavelength	Hyper Orange (SE-E) Hyper Orange (SE-G) Hyper Orange (SE-H) Super Bright Yellow Hyper Red (SUR) Hyper Red (SUR-E)	621 625 630 588 628 630		nm	IF=20mA
$\Delta\lambda_{1/2}$	Spectral Line Halfwidth	Hyper Orange (SE-E) Hyper Orange (SE-G) Hyper Orange (SE-H) Super Bright Yellow Hyper Red (SUR) Hyper Red (SUR-E)	20 20 25 28 27 25		nm	IF=20mA
C	Capacitance	Hyper Orange (SE-E) Hyper Orange (SE-G) Hyper Orange (SE-H) Super Bright Yellow Hyper Red (SUR) Hyper Red (SUR-E)	25 20 27 25 45 45		pF	VR=0V;f=1MHz
V _F	Forward Voltage	Hyper Orange (SE-E) Hyper Orange (SE-G) Hyper Orange (SE-H) Super Bright Yellow Hyper Red (SUR) Hyper Red (SUR-E)	2.0 1.9 2.4 2.0 1.9 1.9	2.5 2.5 2.8 2.5 2.5 2.5	V	IF=20mA
I _R	Reverse Current	All		10	uA	VR = 5V



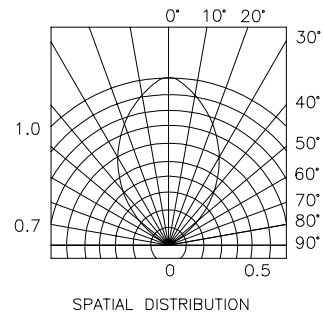
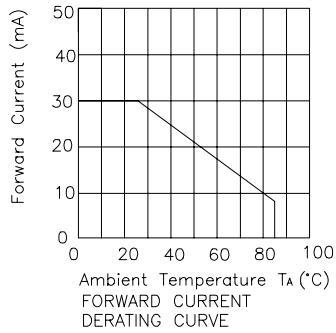
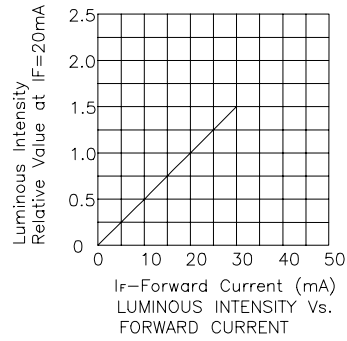
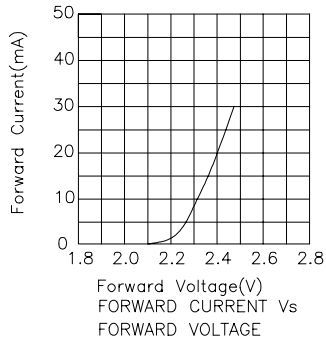
HYPER ORANGE L7676CSEC-E



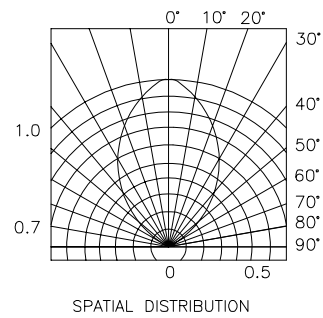
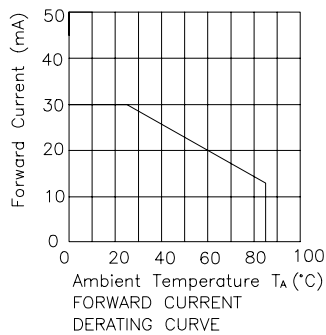
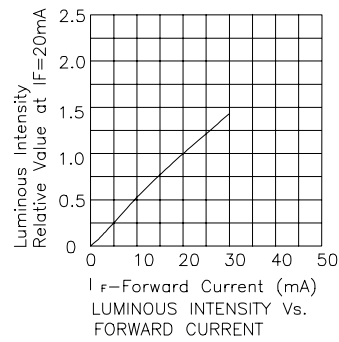
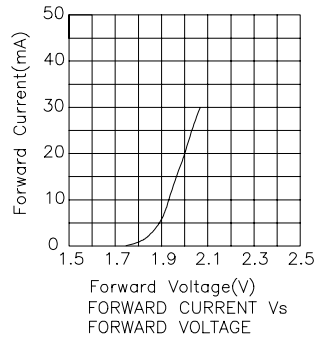
HYPER ORANGE L7676CSEC-G



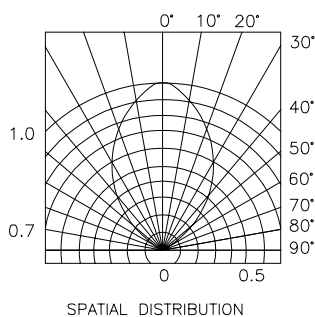
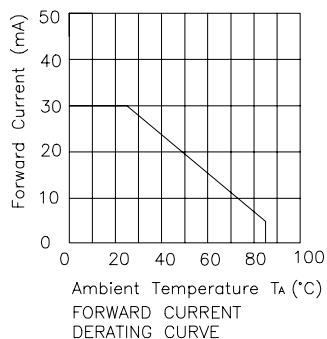
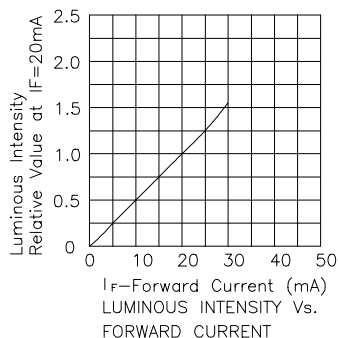
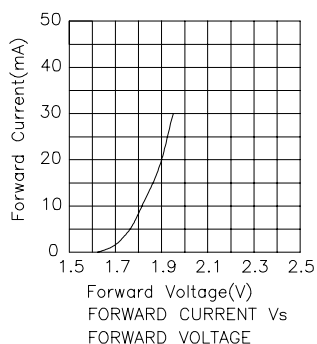
HYPER ORANGE L7676CSEC-H



SUPER BRIGHT YELLOW L7676CSYC



HYPER RED L7676CSURC



HYPER RED L7676CSURC-E

