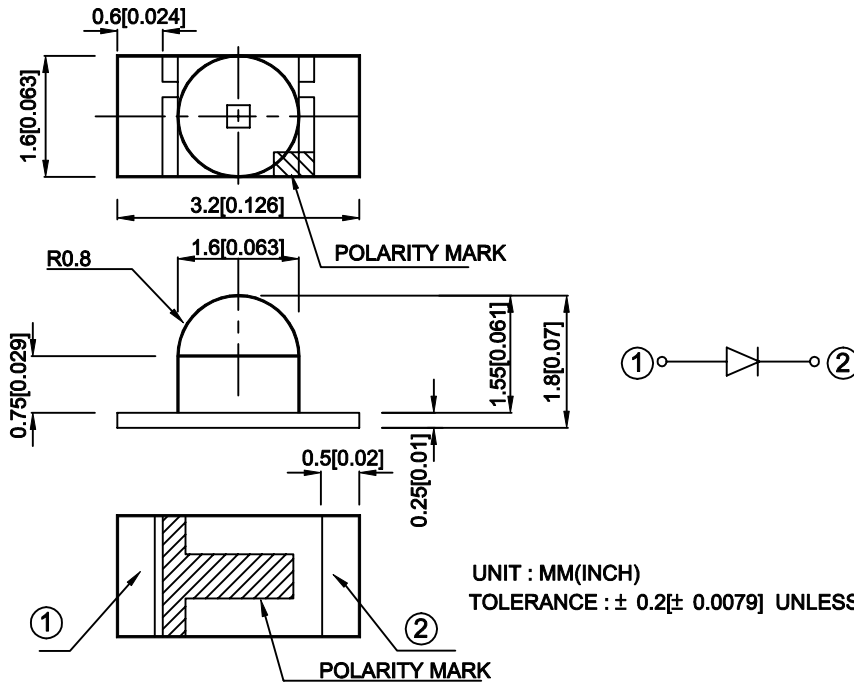


**DOME LENS SMD CHIP LED 3216 (1206)**



**Selection Guide**

Part No.	Dice	Lens Type	Iv (mcd) @20mA		Viewing Angle
			Min.	Typ.	
APTD3216HD	BRIGHT RED (GaP)	RED DIFFUSED	1.2	2	50°
APTD3216HC	BRIGHT RED (GaP)	WATER CLEAR	2	4	50°
APTD3216ID	HIGH EFFICIENCY RED (GaAsP/GaP)	RED DIFFUSED	10	40	50°
APTD3216EC	HIGH EFFICIENCY RED (GaAsP/GaP)	WATER CLEAR	10	50	50°
APTD3216NC	PURE ORANGE (GaAsP/GaP)	WATER CLEAR	10	30	50°
APTD3216SGD	SUPER BRIGHT GREEN (GaP)	GREEN DIFFUSED	5	20	50°
APTD3216QYC	SUPER BRIGHT GREEN (GaP)	WATER CLEAR	5	30	50°
APTD3216QGC	SUPER BRIGHT GREEN (GaP)	WATER CLEAR	5	30	50°
APTD3216PGC	PURE GREEN (GaP)	WATER CLEAR	2	5	50°
APTD3216PYC	PURE YELLOW (GaAsP/GaP)	WATER CLEAR	3	20	50°
APTD3216YD	YELLOW (GaAsP/GaP)	YELLOW DIFFUSED	3	10	50°
APTD3216YC	YELLOW (GaAsP/GaP)	WATER CLEAR	3	30	50°
APTD3216SURC	HYPER RED (InGaAlP)	WATER CLEAR	300	600	50°
APTD3216SURCK	HYPER RED (InGaAlP)	WATER CLEAR	200	500	50°
APTD3216SEC	SUPER BRIGHT ORANGE (InGaAlP)	WATER CLEAR	700	1500	50°
APTD3216SECK	SUPER BRIGHT ORANGE (InGaAlP)	WATER CLEAR	500	1300	50°
APTD3216SYC	SUPER BRIGHT YELLOW (InGaAlP)	WATER CLEAR	100	400	50°
APTD3216SYCK	SUPER BRIGHT YELLOW (InGaAlP)	WATER CLEAR	100	300	50°
APTD3216MBC	BLUE (GaN)	WATER CLEAR	30	60	50°
APTD3216PBC	BLUE (InGaN)	WATER CLEAR	100	250	50°

APPROVED: J. Chuang	CHECKED: J. Chao	DRAWN : L.N. Sheu	SCALE : 10 : 1	DATA NO. : F2889 DATE : JAN/06/2000
------------------------	---------------------	----------------------	-------------------	--