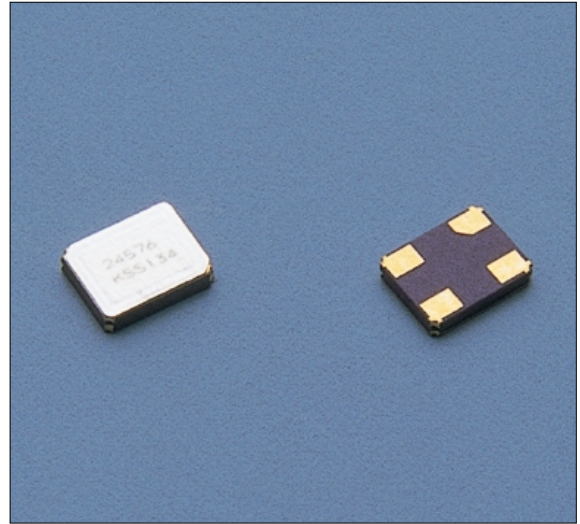


CX-101F

SMD

■Features

- Ultra-thin, thickness 0.75mm. (3.2×2.5×0.75mm)
- Because it is the leadless type, automatic mounting is possible.
- Excels even in an environment that requires reliability.
- Reflow is possible.



■Specifications

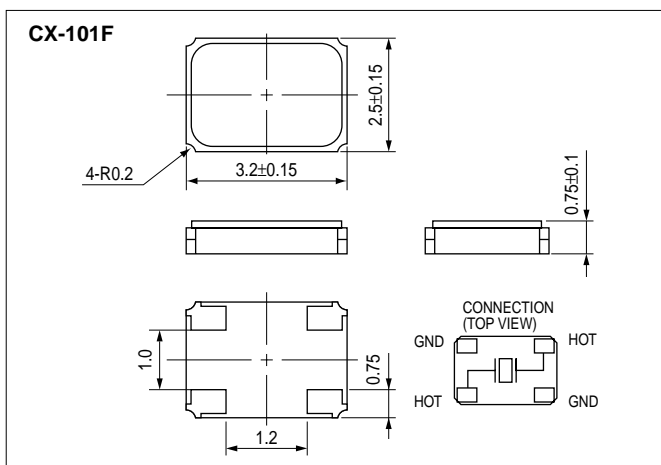
Type		CX-101F
Frequency Range		16~54MHz
Standard Frequency		Table 1
Operating Temp. Range		-10~+70°C
Storage Temp. Range		-10~+70°C
Frequency Tolerance	at 25°C	±15, ±20, ±30, ±50×10 ⁻⁶
	Over The Oper. Temp. Range	±15, ±20, ±30, ±50×10 ⁻⁶ (referred to 25°C)
Load Capacitance		12pF
Equivalent Series Resistance		16~30MHz 100Ω 30~54MHz 50Ω
Shunt Capacitance		7pF MAX.
Drive Level		0.1mW MAX.
Shock		Three drops onto a hard wood board from the height of 20cm
Vibration		10~55Hz, amplitude 1.5mm, each to 3 directions, 2 hours each

■Table 1
Standard Frequencies

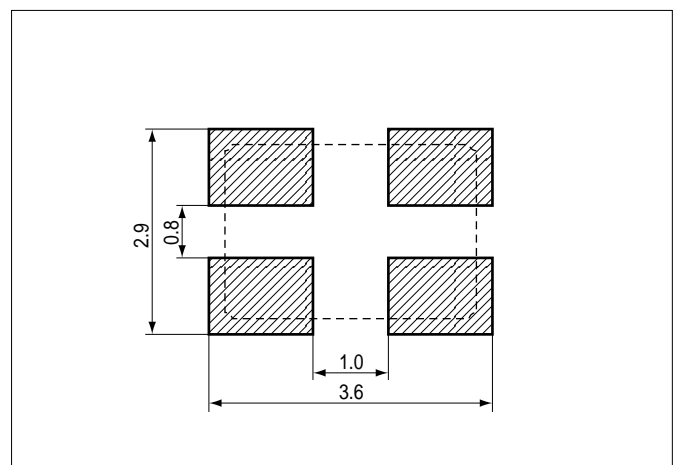
Standard Frequency (MHz)
20.000
22.57954
24.576
27.000
32.000
45.1584
48.000

*Taping item packaging : one unit 1,000 pcs or 3,000 pcs

■Outline



■Land Pattern(reference)



Dimensions(mm)