



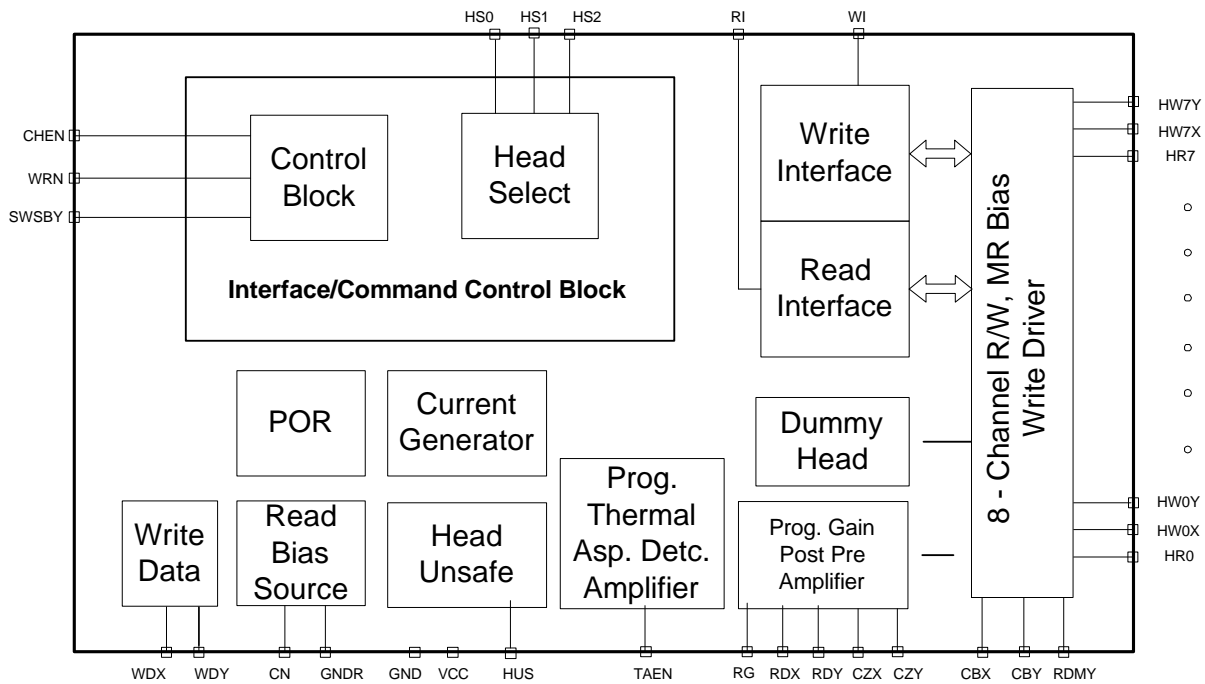
**LD3501-XX**  
**2, 4, 6, 8, up to 16-Channel**  
**+5V, MR Head Preamplifier**

**DESCRIPTION**

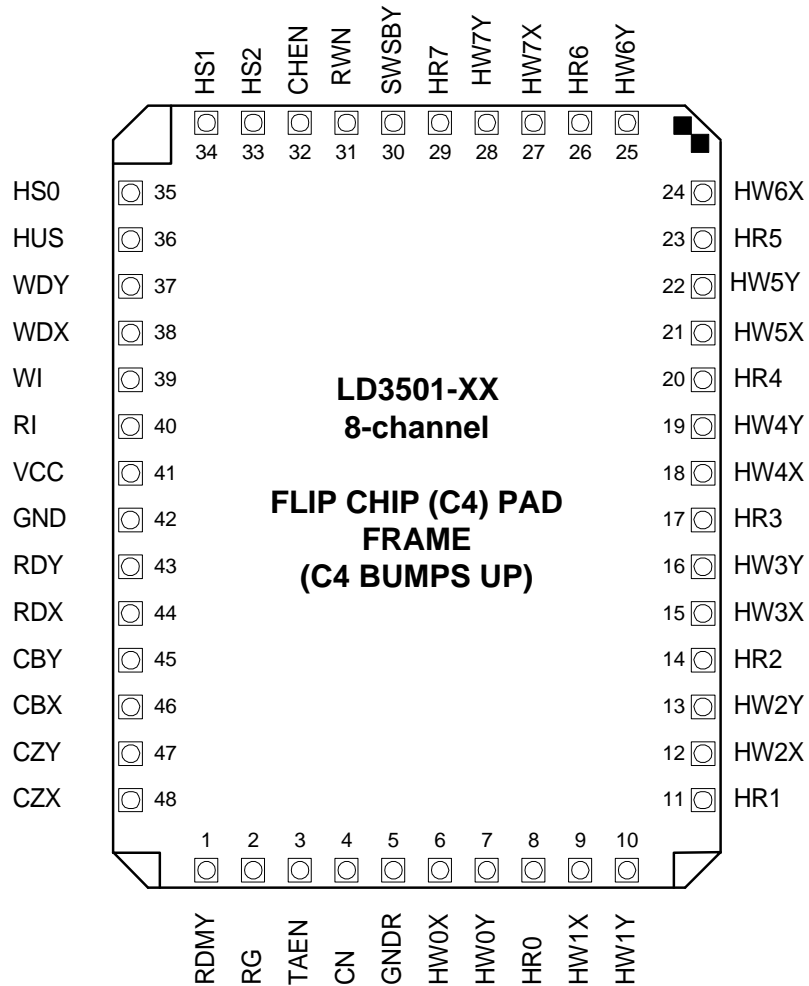
The LD3508 is a 5-Volt only 8-channel MR Pre-Amp, one of the families of LD35XX MR Pre-Amp integrated circuit products designed for use with Magneto-Resistive recording heads. It is based on external component design to provide maximum programmability. These devices support 2, 4, 6, 8, 10 up to 16-channel MR Heads. It contains an MR low noise read amplifier, a thin film head write driver and mode select to provide the ability to control the multiple operation modes. External components provide programmable Read Gain, Programmable Thermal Asperity Threshold Detection, and Correction, Write Currents and MR bias current. This product family requires 5V-supply voltage. These devices are available in VQFP, or flip chip.

**FEATURES**

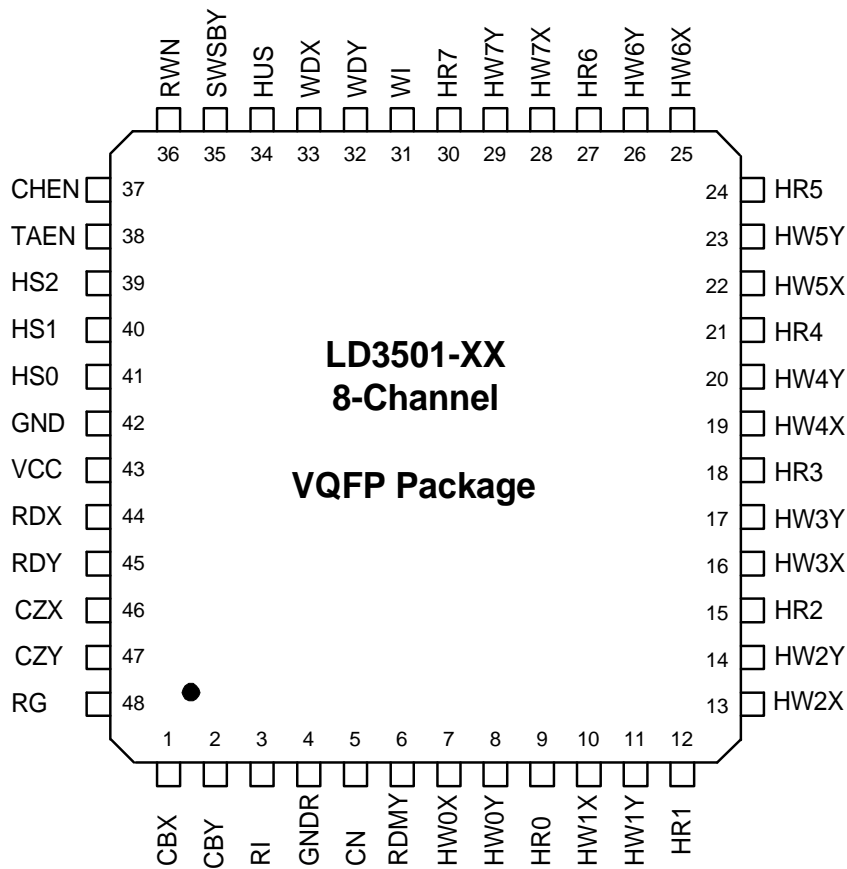
- 70 to 120Mhz - 3db Bandwidth
- Typical write current rise/fall time = 3.5ns (typical conditions)
- Programmable Read Amplifier Gain through external voltage.
- Programmable Thermal Asperity Threshold Detection and correction through external resistor.
- MR Head: Differential current bias, Voltage sense MR Head Read Amp.
- Programmable MR head bias current range 6-16 mA
- MR read input noise =  $0.6\text{nv}/\sqrt{\text{Hz}}$
- Programmable write current range 15 - 45 mA
- Write head unsafe sensing
- Head Swing = 8Vp-p differential
- Servo write capability
- Power on Reset
- Power supply fault protection



**BLOCK DIAGRAM**



**Preliminary (Subject to change)**



**Preliminary (Subject to change)**

This document may contain preliminary information and is subject to change by LDIC without notice. LDIC assumes no responsibility or liability for any use of this information herein. Nothing in this document shall operate as an express or implied license of indemnity under the intellectual property rights of LDIC or third parties. NO WARRANTIES OF ANY KIND, INCLUDING, BUT NOT LIMITED TO, THE IMPLIED WARRANTIES OF MERCHANTABILITY OR FITNESS FOR A PARTICULAR PURPOSE, ARE OFFERED IN THIS DOCUMENT.