

SCHOTTKY BARRIER RECTIFIERS

REVERSE VOLTAGE - 30 to 45 Volts
FORWARD CURRENT - 16 Amperes

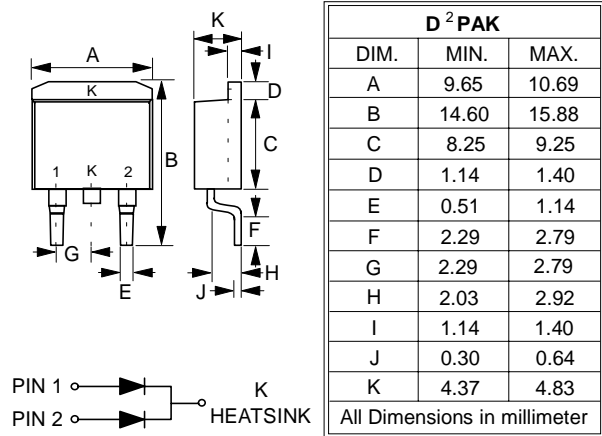
FEATURES

- Metal of silicon rectifier, majority carrier conduction
- Guard ring for transient protection
- Low power loss, high efficiency
- High current capability, low VF
- High surge capacity
- Plastic package has UL flammability classification 94V-0
- For use in low voltage, high frequency inverters, free wheeling, and polarity protection applications

MECHANICAL DATA

- Case : D²PAK molded plastic
- Polarity : As marked on the body
- Weight : 0.06 ounces, 1.7 grams

D²PAK



MAXIMUM RATINGS AND ELECTRICAL CHARACTERISTICS

Ratings at 25°C ambient temperature unless otherwise specified.
Single phase, half wave, 60Hz, resistive or inductive load.
For capacitive load, derate current by 20%

CHARACTERISTICS	SYMBOL	SBG1630CT	SBG1635CT	SBG1640CT	SBG1645CT	UNIT
Maximum Recurrent Peak Reverse Voltage	V _{RRM}	30	35	40	45	V
Maximum RMS Voltage	V _{RMS}	21	24.5	28	31.5	V
Maximum DC Blocking Voltage	V _{DC}	30	35	40	45	V
Maximum Average Forward Rectified Current (See Fig.1) @T _C =95°C	I _(AV)	16				A
Peak Forward Surge Current 8.3ms single half sine-wave superimposed on rated load (JEDEC METHOD)	I _{FSM}	175				A
Maximum Forward Voltage at 8.0A DC (Note 1)	V _F	0.55				V
Maximum DC Reverse Current at Rated DC Blocking Voltage @T _J =25°C @T _J =100°C	I _R	0.5 50				mA
Typical Junction Capacitance per element (Note 2)	C _J	275				pF
Typical Thermal Resistance (Note 3)	R _{θJC}	3.0				°C/W
Operating Temperature Range	T _J	-55 to +125				°C
Storage Temperature Range	T _{STG}	-55 to +150				°C

NOTES : 1. 300us Pulse Width, 2% Duty Cycle.
2. Measured at 1.0MHz and applied reverse voltage of 4.0V DC.
3. Thermal Resistance Junction to Case.

