

SCHOTTKY BARRIER RECTIFIERS

REVERSE VOLTAGE - 30 to 60 Volts
FORWARD CURRENT - 30 Amperes

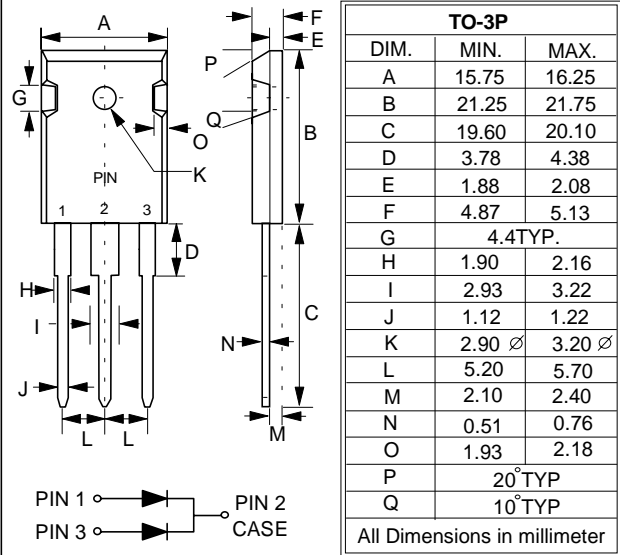
FEATURES

- Metal of silicon rectifier, majority carrier conduction
- Guard ring for transient protection
- Low power loss, high efficiency
- High current capability, low VF
- High surge capacity
- Plastic package has UL flammability classification 94V-0
- For use in low voltage, high frequency inverters, free wheeling, and polarity protection applications

MECHANICAL DATA

- Case : TO-3P molded plastic
- Polarity : As marked on the body
- Weight : 0.2 ounces, 5.6 grams
- Mounting position : Any

TO-3P



MAXIMUM RATINGS AND ELECTRICAL CHARACTERISTICS

Ratings at 25°C ambient temperature unless otherwise specified.
Single phase, half wave, 60Hz, resistive or inductive load.
For capacitive load, derate current by 20%

CHARACTERISTICS	SYMBOL	SBL 3030PT	SBL 3035PT	SBL 3040PT	SBL 3045PT	SBL 3050PT	SBL 3060PT	UNIT
Maximum Recurrent Peak Reverse Voltage	VRRM	30	35	40	45	50	60	V
Maximum RMS Voltage	VRMS	21	24.5	28	31.5	35	42	V
Maximum DC Blocking Voltage	VDC	30	35	40	45	50	60	V
Maximum Average Forward Rectified Current @TC=90°C	IAV	30						A
Peak Forward Surge Current 8.3ms single half sine-wave superimposed on rated load (JEDEC METHOD)	IFSM	275						A
Maximum forward Voltage at 15.0A DC	VF	0.55				0.70		V
Maximum DC Reverse Current at Rated DC Blocking Voltage @TJ=25°C @TJ=100°C	IR	1				75		mA
Typical Junction Capacitance per element (Note1)	CJ	700						pF
Typical Thermal Resistance (Note 2)	RθJC	2.0						°C/W
Operating Temperature Range	TJ	-55 to +125						°C
Storage Temperature Range	TSTG	-55 to +150						°C

NOTES : 1. Measured at 1.0MHz and applied reverse voltage of 4.0V DC.
2. Thermal Resistance Junction to Case.

