

**GLASS PASSIVATED BRIDGE RECTIFIERS**

REVERSE VOLTAGE - 50 to 1000 Volts  
FORWARD CURRENT - 1.5 Amperes

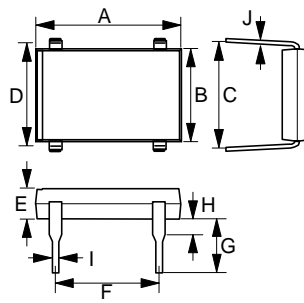
**FEATURES**

- Rating to 1000V PRV
- Ideal for printed circuit board
- Low forward voltage drop, high current capability.
- Reliable low cost construction utilizing molded plastic technique results in inexpensive product
- Lead Pb/Sn copper
- The plastic material has UL flammability classification 94V-0
- UL recognized file # E95060

**MECHANICAL DATA**

- Polarity : As marked on Body
- Weight : 0.02 ounces, 0.38 grams
- Mounting position : Any

**DF**



DF		
DIM.	MIN.	MAX.
A	8.20	8.50
B	6.20	6.50
C	7.60	8.90
D	7.40	7.60
E	2.40	2.60
F	5.00	5.20
G	4.10	4.60
H	1.50	1.70
I	0.41	0.51
J	0.22	0.30

All Dimensions in millimeter

**MAXIMUM RATINGS AND ELECTRICAL CHARACTERISTICS**

Ratings at 25°C ambient temperature unless otherwise specified.  
Single phase, half wave, 60Hz, resistive or inductive load.  
For capacitive load, derate current by 20%

CHARACTERISTICS	SYMBOL	DF 15005M	DF 1501M	DF 1502M	DF 1504M	DF 1506M	DF 1508M	DF 1510M	UNIT
Maximum Recurrent Peak Reverse Voltage	V <sub>RRM</sub>	50	100	200	400	600	800	1000	V
Maximum RMS Voltage	V <sub>RMS</sub>	35	70	140	280	420	560	700	V
Maximum DC Blocking Voltage	V <sub>DC</sub>	50	100	200	400	600	800	1000	V
Maximum Average Forward Rectified Current @T <sub>A</sub> =40°C	I <sub>(AV)</sub>	1.5							A
Peak Forward Surge Current 8.3ms single half sine-wave superimposed on rated load (JEDEC METHOD)	I <sub>FSM</sub>	50							A
Maximum forward Voltage at 1.5A DC	V <sub>F</sub>	1.1							V
Maximum DC Reverse Current at Rated DC Blocking Voltage @T <sub>J</sub> =25°C @T <sub>J</sub> =125°C	I <sub>R</sub>	10 500							uA uA
I <sup>2</sup> t Rating for fusing (t < 8.3ms)	I <sup>2</sup> t	10.4							A <sup>2</sup> S
Typical Junction Capacitance per element (Note 1)	C <sub>J</sub>	25							pF
Typical Thermal Resistance (Note 2)	R <sub>θJA</sub>	40							°C/W
Operating Temperature Range	T <sub>J</sub>	-55 to +150							°C
Storage Temperature Range	T <sub>STG</sub>	-55 to +150							°C

NOTES : 1. Measured at 1.0MHz and applied reverse voltage of 4.0V DC.  
2. Thermal resistance from junction to ambient mounted on P.C.B with 0.5 x 0.5"(13x13mm) copper pads.

REV. 2, 01-Dec-2000, KBDC02

