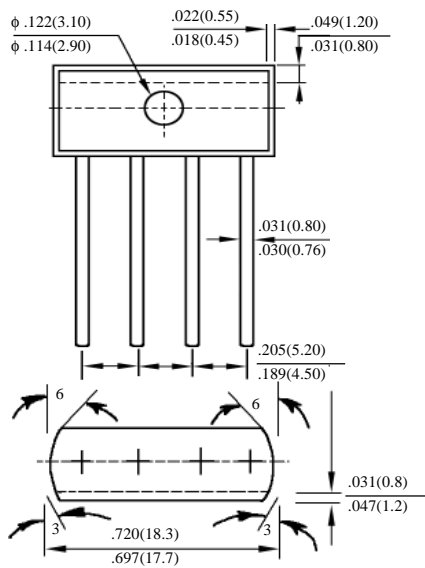


RB201 – RB209  
 RB201S – RB209S  
 RB304S – RB309S

## 2.0/3.0A RB 系列 SIP 桥式整流器

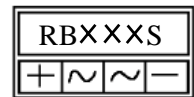
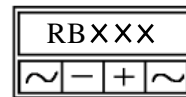
## 2.0/3.0A RB SERIES SIP BRIDGE RECTIFIERS

| 型号<br>TYPE |        | 最大反向<br>峰值电压<br>Maximum<br>Peak<br>Reverse<br>Voltage | 最大平均<br>正向电流<br>Maximum<br>Average<br>Forward<br>Output<br>Current<br>@T <sub>A</sub> =60°C | 最大正向<br>浪涌电流<br>Maximum<br>Forward<br>Surge Current<br>@ 8.3ms<br>Superimposed | 最大正向<br>峰值电压<br>Maximum DC<br>Forward Voltage<br>drop per element | 最大反向<br>电 流<br>Maximum DC<br>Reverse Current<br>at rated DC<br>Blocking Voltage<br>per element |                              | 结 温<br>Operating<br>Junction<br>Temperature | 外型尺寸<br>Package<br>Dimensions |
|------------|--------|---|---|--|---|--|------------------------------|---|-------------------------------|
|            |        | PRV   | I <sub>O</sub>  | I <sub>FM</sub> (Surge)  | V <sub>F</sub>  | I <sub>R</sub>   |                              | T <sub>J</sub>                              | RB SERIES                     |
|            |        | V <sub>PK</sub>                                       | A <sub>AV</sub>   | A <sub>PK</sub>  | V <sub>PK</sub>   | 25°C T <sub>A</sub><br>μADC  | 125°C T <sub>A</sub><br>μADC | °C  |                               |
| RB201      | RB201S | 100   | 2.0   | 80   | 1.0<br><small>at I<sub>F</sub>=2.0ADC</small>                     | 10   | 500                          | 125   |                               |
| RB202      | RB202S | 200   |   |  |   |  |                              |   |                               |
| RB204      | RB204S | 400   |   |  |   |  |                              |   |                               |
| RB206      | RB206S | 600   |   |  |   |  |                              |   |                               |
| RB208      | RB208S | 800   |   |  |   |  |                              |   |                               |
| RB209      | RB209S | 1000  |   |  |   |  |                              |   |                               |
| RB304S     |        | 400   | 3.0   | 80   | 1.0<br><small>at I<sub>F</sub>=3.0ADC</small>                     | 10   | 500                          | 125   |                               |
| RB306S     |        | 600   |   |  |   |  |                              |   |                               |
| RB308S     |        | 800   |   |  |   |  |                              |   |                               |
| RB309S     |        | 1000  |   |  |   |  |                              |   |                               |



引脚分布如下:

Pinout:



RB SERIES

RB201-RB209 RB201S-RB209S RB304S-RB309S

桥式整流器额定值与特性曲线

BRIDGE RECTIFIERS RATING & CHARACTERISTIC CURVES

FIG. 1 - DERATING CURVE FOR OUTPUT RECTIFIED CURRENT

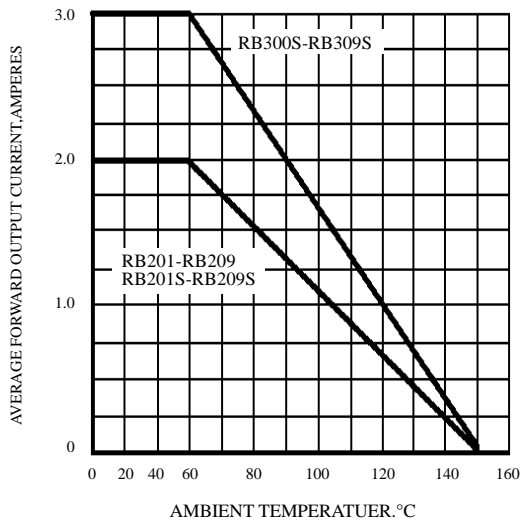


FIG. 2 - MAXIMUM NON-REPETITIVE PEAK FORWARD SURGE CURRENT PER BRIDGE ELEMENT

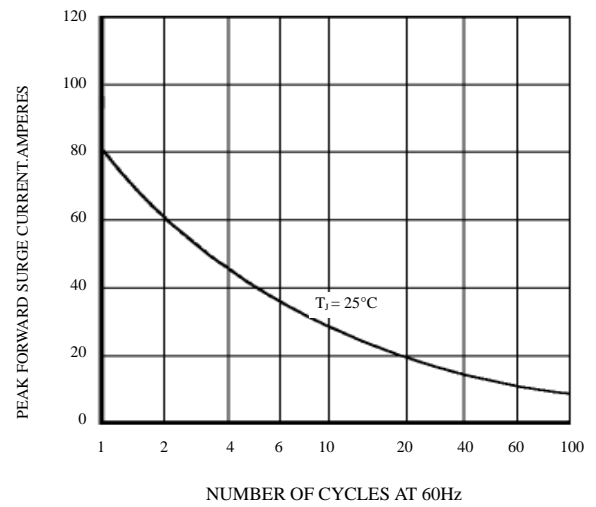


FIG. 3 - TYPICAL REVERSE CHARACTERISTICS PER BRIDGE ELEMENT

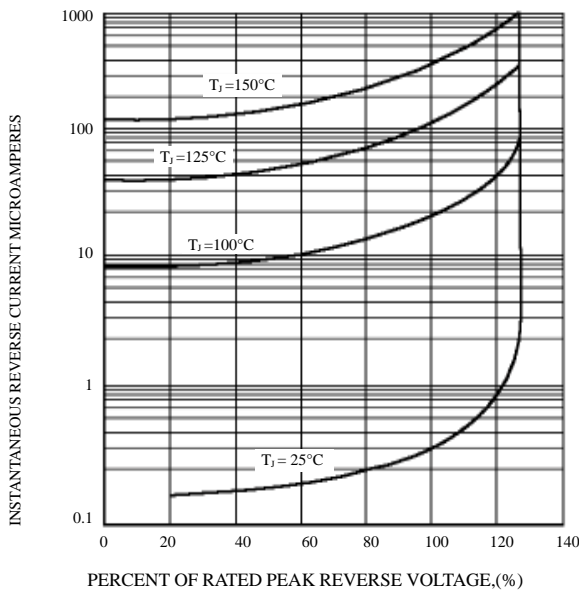


FIG. 4 - TYPICAL FORWARD CHARACTERISTICS PER BRIDGE ELEMENT

