



## 2.4 GHz Patch Antenna for ISM Band



### Features

- Hemispherical/Omnidirectional
- Flat Configuration
- Rugged/Durable
- Low VSWR
- Circular Polarization Minimizes Multipath Effects
- Various Types of Input Connectors Available
- Variety of ISM Applications

### Description

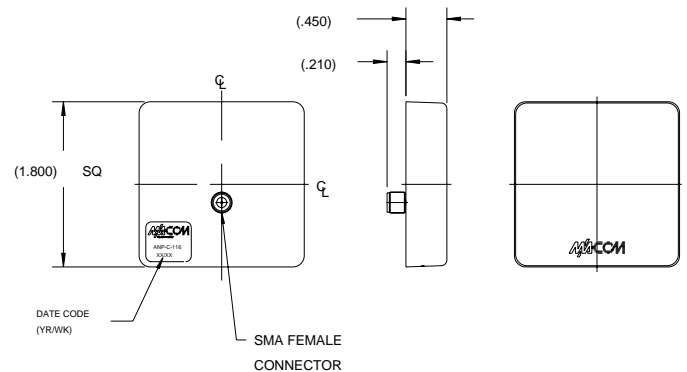
The ANP-C-116 patch antenna is a hemispherical/ omnidirectional antenna. It is circularly polarized to maximize immunity to fading in high multipath environments.

This durable antenna has a flat configuration that makes it suitable for surface mount applications. It can be used for a variety of ISM applications such as bar code scanning, auto toll collection, wireless LAN and medical monitoring devices.



### Specifications

Frequency Range	2400-2485 MHz
Peak Gain	+4 dBic Min
Polarization	Right Hand Circular
Nominal Impedance	50 Ohms
VSWR	2.0:1 Max
R. F. Power Handling	1 W Avg. Max 3 W Peak Max
Connector Type	SMA Female
Weight	1.5 oz Max



### Typical Electrical Performance

