

90° Crossover Hybrid Coupler

800-900, 890-960, or 1700-1900 MHz

3032 Series

V2.00

Features

- Type N jack
- Low Loss
- High Isolation

Description

M/A-COM's 3032 Series of 90° Crossover Hybrid Couplers provide low loss, high isolation answers to your coupling needs.

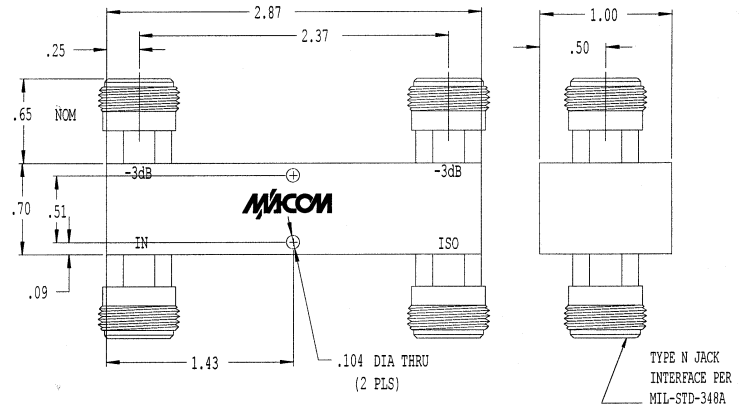


Figure 1

Ordering Information and Typical Performance Specifications

Part Number	Frequency (MHz)	Figure	Coupling (dB) Nom.	VSWR (Max)	Insertion Loss (dB) Max	Isolation (dB) min	Amplitude Balance
3032-6017-00	800-900	1	3	1.2:1	.2	25	.25
3032-6018-00	890-960	1	3	1.2:1	.2	25	.25
3032-6019-00	1700-1900	2	3	1.2:1	.2	25	.5

Input Power 125 Watts maximum.

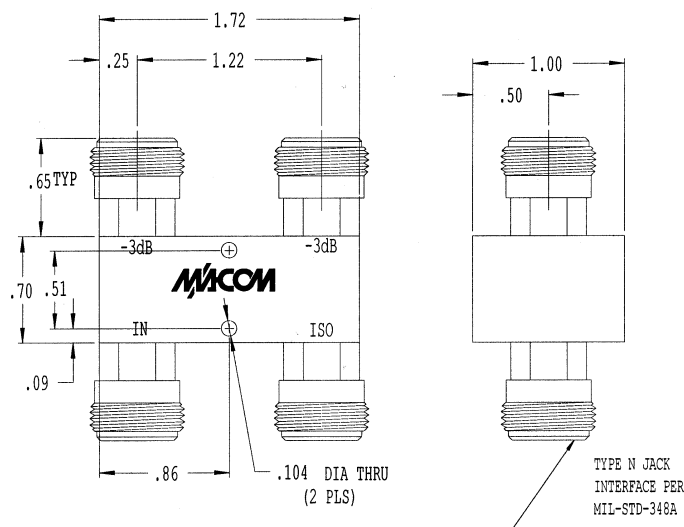


Figure 2