

# Plug-In Two Way Power Divider 5 - 500 MHz

DS-318

V2.00

## Features

- Low Cost
- Convenient Plug-In Mounting

## Guaranteed Specifications\* (From -55°C to +85°C)

Frequency Range	5-500 MHz	
Insertion Loss	10-200MHz	0.5 dB Max
(Less coupling)	5-500 MHz	1.0 dB Max
Isolation	18 dB Min	
Amplitude Balance	0.2 dB Max	
Phase Balance	2° Max	
VSWR (All Ports)	1.5:1 Max	

## Operating Characteristics

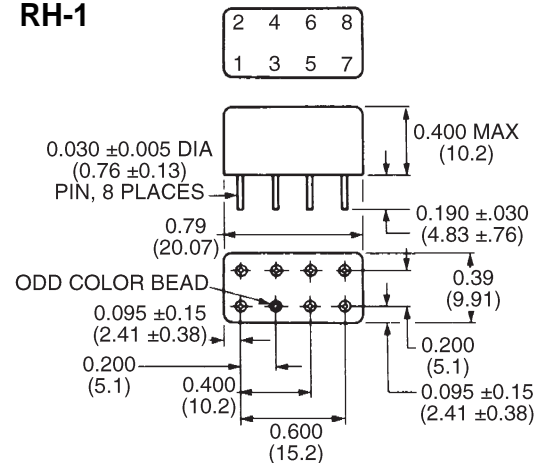
Impedance	50 Ohms Nominal
Maximum Power Rating or Input Power	1 Watt Max
Internal Load Dissipation	0.125 Watts Max
Environmental MIL-STD-202 screening available.	
Pin Configuration	Σ; P1, Outputs P5 & P6 All other pins ground.

\* All specifications apply with 50 ohm source and load impedance.

## Ordering Information

Model No.	Package
DS-318 PIN	Relay Header

## RH-1



Dimensions in ( ) are in mm.  
Unless Otherwise Noted: .xxx = ±0.010 (.xx = ±0.25)  
WEIGHT (APPROX.): 0.23 OUNCES 6.5 GRAMS

## Typical Performance

