



M/A-COM

EIN13

E-Series RF Inductor 50 MHz

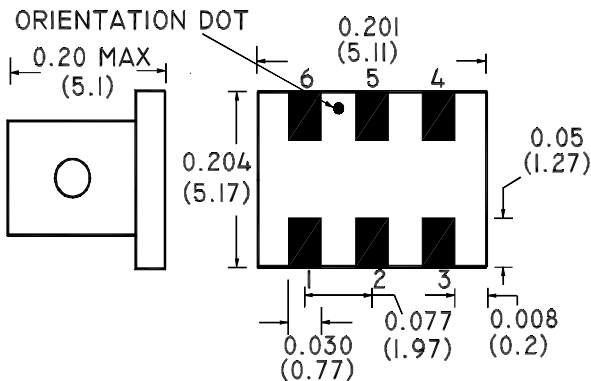


Features

- High Q Value



SM-52 Package



Description

M/A-COM's EIN13 is a high Q Toroidal Inductor on an SM-52 package. This Inductor is particularly suited to applications requiring Inductors with good magnetic field containment.

Electrical Specifications @25°C

Parameter	Typical	Minimum
Guaranteed Performance @ 50 MHz	—	—
Inductance Value	97 nH ±5%	—
Q Value	—	90
Self Resonance	> 970 MHz	—

Absolute Maximum Ratings

Parameter	Absolute Maximum
RF Power	250 mW
DC Current	30 mA
Operating Temperature	-20°C to +85°C
Storage Temperature	-20°C to +85°C

Functional Configuration

Function	Pin No.
Primary Dot	6
Primary	1
Case Ground	—
Not Connected	—

Please Note that the photograph above indicates typical package only, not actual unit.

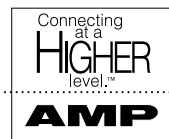
V2.00 S 1298 D



M/A-COM Division of AMP Incorporated ■ North America: Tel. (800) 366-2266, Fax (800) 618-8883 ■ Asia/Pacific: Tel.+85 2 2111 8088, Fax +85 2 2111 8087 ■ Europe: Tel. +44 (1344) 869 595, Fax+44 (1344) 300 020

www.macom.com

AMP and Connecting at a Higher Level are trademarks.
Specifications subject to change without notice.





M/A-COM Division of AMP Incorporated ■ North America: Tel. (800) 366-2266, Fax (800) 618-8883 ■ Asia/Pacific: Tel.+85 2 2111 8088, Fax +85 2 2111 8087 ■ Europe: Tel. +44 (1344) 869 595, Fax+44 (1344) 300 020

www.macom.com

AMP and Connecting at a Higher Level are trademarks.
Specifications subject to change without notice.

