

# E-Series Surface Mount Mixer

## 1 - 1000 MHz

# ESMD-C1MH

V3.00

### Features

- LO Power + 13 dBm
- Up to + 13 dBm RF
- Surface Mount

### Specifications @25°C

Frequency Range		
RF		1 - 1000 MHz
LO		1 - 1000 MHz
IF		DC - 1000 MHz
Conversion Loss (dB)	Typical	Maximum
1 - 1000 MHz	6.5	9.5
Isolation (dB)	Typical	Minimum
LO to RF		
1 - 1000 MHz	45	25
LO to IF		
1 - 1000 MHz	30	15

### Operating Characteristics

Impedance	50 Ohms Nominal
RF input for 1 dB Compression	+ 13 dBm

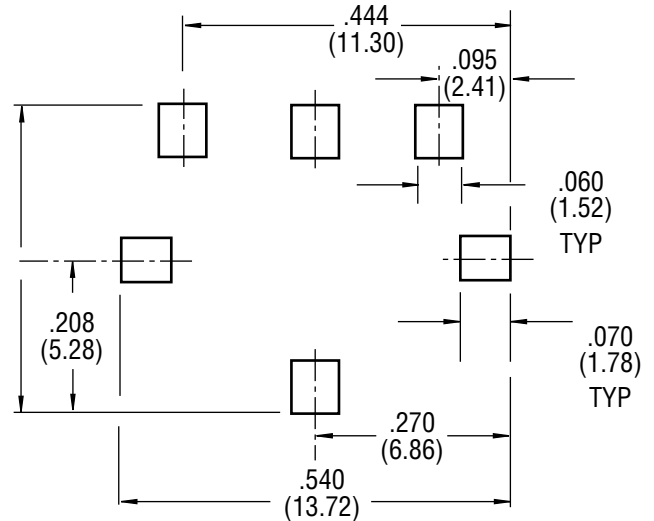
### Ordering Information

<b>Part No.</b>	<b>Packaging</b>
ESMD-C1MH	Tube
ESMD-C1MHTR	Forward Tape & Reel

### Absolute Maximum Ratings

Parameter	Absolute Maximum
RF Power	200 mW
Peak IF Current	40 mA
Storage Temperature	-55°C to 100°C
Operating Temperature	-55°C to 100°C
Pin Temperature (10 sec)	260°C

### SM-2



Dimensions in ( ) are in mm.  
 Unless Otherwise Noted: .x = ±0.04 (1.00)  
 .xx = ±0.02 (0.50)  
 .xxx = ±0.010 (0.250)

### Pin Configuration

Function	Pin No.
LO	2
RF	1
IF	3
Ground	4,5

S 0152 C

Specifications Subject to Change Without Notice.

**M/A-COM, Inc.**

North America: Tel. (800) 366-2266 ■ Asia/Pacific: Tel. +81 (03) 3226-1671 ■ Europe: Tel. +44 (1344) 869 595  
 Fax (800) 618-8883 Fax +81 (03) 3226-1451 Fax +44 (1344) 300 020