



Quad PIN Diode π Attenuator

5 – 3000 MHz

MA4P274-1225T

Features

- 4 PIN Diodes in SOT-25 Plastic Package
- Externally Selectable Bias and RF Match Network
- 5 – 3,000 MHz Useable Frequency Band
- + 43 dBm IP3@ 1 GHz (50 Ω)
- 1.0 dB Loss @ 1 GHz (50 Ω)
- 30 dB Attenuation @ 1 GHz (50 Ω)

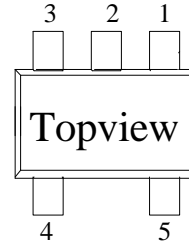
Description

M/A-COM's MA4P274-1225 is a wideband, lower insertion loss, high IP3, Quad PIN Diode π Attenuator in a low-cost, surface mount SOT-25 package. Four PIN Diodes in one package reduce design parasitics and improve circuit density.

Applications

These PIN Diode Attenuators perform well where RF Signal Amplitude Control is required in 50 Ω Handset Circuits and 75 Ω Broadband CATV Systems. Exceptional Insertion Loss, Attenuation Range, and IP3 at <10 mA bias make these devices suitable for better power level control in RF Amplifiers.

Package Outline (Topview)



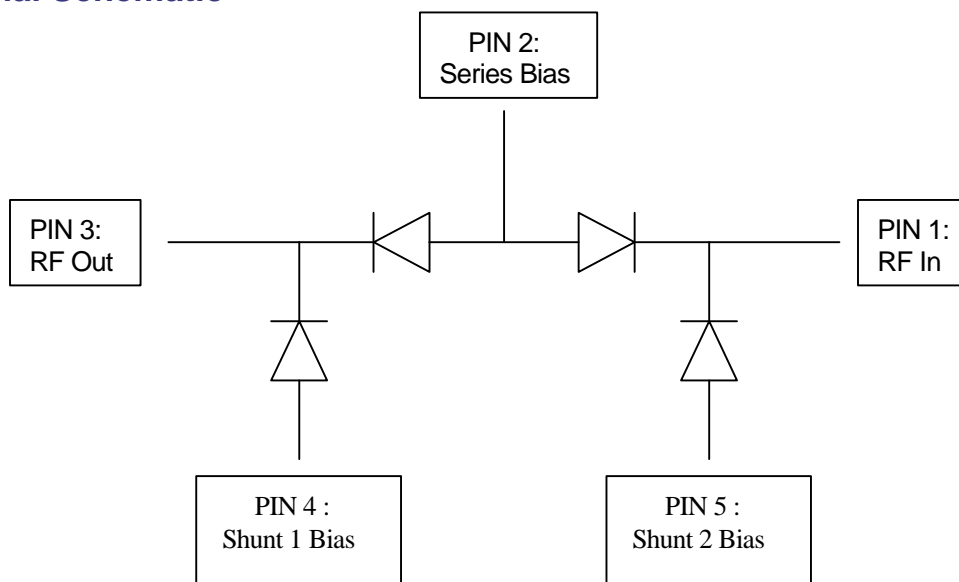
PIN Configuration

PIN	Function	PIN	Function
1	RF In	4	Shunt 1 Bias
2	Series Bias	5	Shunt 2 Bias
3	RF Out		

Guaranteed Electrical Specifications: @ +25 °C

Parameter	Test Conditions	Units	Min.	Typ.	Max.
Ct @ 0 V	100 MHz	pF		0.45	0.50
Rs @ 1 mA	100 MHz	Ω		13	18
Rs @ 10 mA	100 MHz	Ω		2.3	3.0
V _b	D.C.	V	125	150	
Minority Carrier Lifetime	(50 % - 90 %) Voltage If = + 10mA, Ir = - 6mA Pulse @ 100 kHz Sq Wave	nS		1000	2000
Power Dissipation	D.C. and F = 5 – 3,000 MHz Derate linearly to 0 mW at 125 C Using 1,000 deg-C/W Thermal Resistance	mW			100
RF Incident Power	F = 5 – 3,000 MHz Vshunt 1 & 2 Diode Bias = 0.75 V Vseries Diode Bias = 0 to 20 V	dBm			+ 20

Functional Schematic



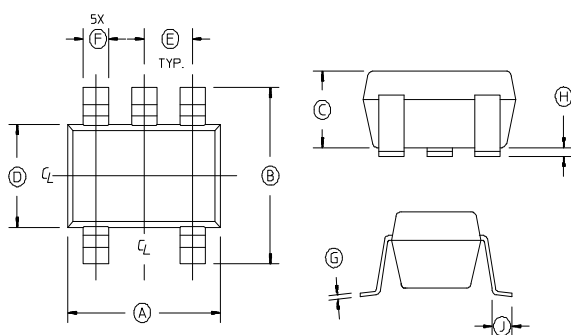
Case Style: SOT 25

Dim	Inches		Millimeters	
	Min.	Max.	Min.	Max.
A	.1103	.1181	2.80	3.10
B	.1023	.1181	2.6	3.00
C	0.0355	.0512	0.9	1.30
D	0.0591	.0669	1.5	1.70
E	.0374 REF.		0.95 REF.	
F	.0138	.0197	.35	.50
G	.0031	0.0079	.08	0.2
H	.0002	.0059	.05	.15
J	.0138	.0216	.35	.55

Absolute Maximum Ratings¹

Parameter	Absolute Maximum
Operating Temperature	-65 °C to +125 °C
Storage Temperature, No Dissipated Power	-65 °C to +150 °C
DC Voltage at Temperature Extremes	-100 V
DC Current at 25 °C	75 mA
Mounting Temperature	+235 °C for 10 seconds

1. Exceeding any one or combination of these limits may cause permanent damage.



1. Dimensions do not include mold peaks, protrusion or gate burrs which shall not exceed 0.0098 in. (.25) mm per side.
2. Leads Coplanarity should be 0.003 (0.08) mm Max.

Specifications subject to change without notice.

- North America: Tel. (800) 366-2266
- Asia/Pacific: Tel.+81-44-844-8296, Fax +81-44-844-8298
- Europe: Tel. +44 (1344) 869 595, Fax+44 (1344) 300 020

Visit www.macom.com for additional data sheets and product information.

Typical 50 W SOT-25 RF Performance @ +25 °C using Wideband RF Circuit Design (Values Shown include Through Loss Calibrated Out of RF Test Circuit)

Parameter	Frequency Range	Test Conditions	Units	Min.	Typ.	Max.
Insertion Loss	5 – 1,000 MHz	+ 3 mA / Series Diode and 0.75 V Shunt 1 and 2 Bias F = 1 GHz	dB		-2.0	
Insertion Loss	5 – 1,000 MHz	+ 6.5 mA / Series Diode and 0.75 V Shunt 1 and 2 Bias F = 1 GHz	dB		-1.0	
Return Loss	5 – 1,000 MHz	+ 6.5 mA / Series Diode and 0.75 V Shunt 1 and 2 Bias F = 1 GHz	dB		-10	
Attenuation	5 – 1,000 MHz	0 mA / Series Diode and 0.75 V Shunt 1 and 2 Bias F = 1 GHz	dB		-29	
Input IP3	5 – 1,000 MHz	0 mA / Series Diode and 0.75 V Shunt 1 and 2 Bias F1 = 1000 MHz, F2 = 1100 MHz	dBm		43	
Input IP3	5 – 1,000 MHz	+ 6.5 mA / Series Diode and 0.75 V Shunt 1 and 2 Bias F1 = 1000 MHz, F2 = 1100 MHz	dBm		43	
Input IP3	5 – 1,000 MHz	0 mA / Series Diode and 0.75 V Shunt 1 and 2 Bias F1 = 100 MHz, F2 = 110 MHz	dBm		43	
Input IP3	5 – 1,000 MHz	+ 6.5 mA / Series Diode and 0.75 V Shunt 1 and 2 Bias F1 = 100 MHz, F2 = 110 MHz	dBm		33	
Settling Time	5 – 1,000 MHz	Within 1 dB of Final Attenuation Value F = 1 GHz	uS		3	
RF C.W. Incident Power	5 – 1,000 MHz	0 – 20 V Series Diode Bias and 0.75 V Shunt 1 and 2 Bias	dBm		+ 20	

Typical 75 W SOT-25 RF Performance @ +25 °C using Wideband RF Circuit Design (Values Shown include Through Loss Calibrated Out of RF Test Circuit)

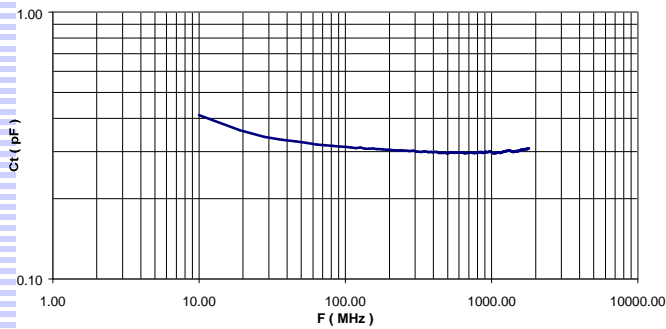
Parameter	Frequency Range	Test Conditions	Units	Min.	Typ.	Max.
Insertion Loss	5 – 1,000 MHz	+ 2 mA / Series Diode and 1.0 V Shunt 1 and 2 Bias F = 1 GHz	dB		-1.1	
Insertion Loss	5 – 1,000 MHz	+ 4.5 mA / Series Diode and 1.0 V Shunt 1 and 2 Bias F = 1 GHz	dB		-0.6	
Attenuation	5 – 1,000 MHz	0 mA / Series Diode and 1 V Shunt 1 and 2 Bias F = 1 GHz	dB		-27	
Return Loss	5 – 1,000 MHz	+ 4.5 mA / Series Diode and 1.0 V Shunt 1 and 2 Bias F = 1 GHz	dB		-10	

Specifications subject to change without notice.

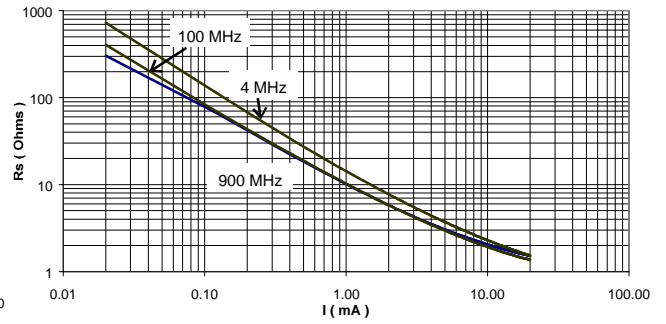
- North America: Tel. (800) 366-2266
- Asia/Pacific: Tel.+81-44-844-8296, Fax +81-44-844-8298
- Europe: Tel. +44 (1344) 869 595, Fax+44 (1344) 300 020

Visit www.macom.com for additional data sheets and product information.

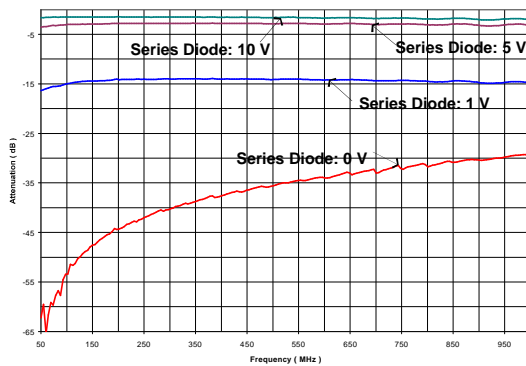
MA4P274-1225 Diode C_t vs Frequency @ 0 V



MA4P274-1225 Diode R_s vs I

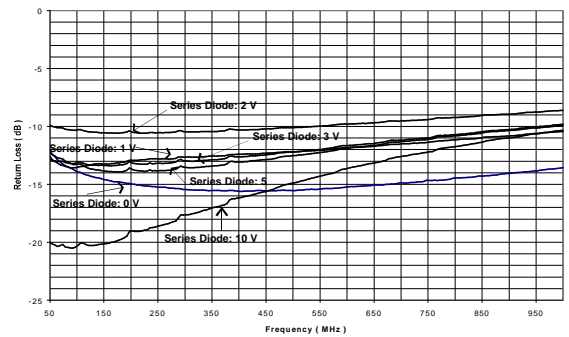


MA4P274-1225 Attenuation vs Frequency in 50 Ohms, Shunt Bias = 0.75 V



R_s vs. I_f @ 100 MHz and 1 GHz

MA4P274-1225 Return Loss vs Frequency in 50 Ohms, Shunt Bias = 0.75 V



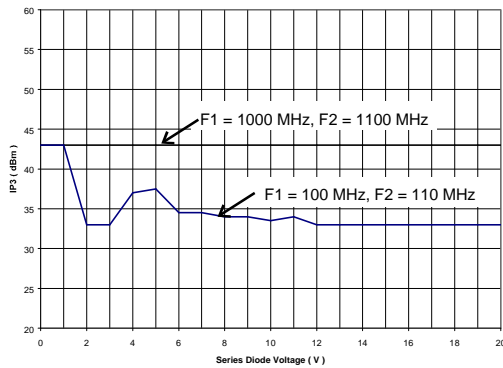
L_s vs. Frequency @ 10 mA

Specifications subject to change without notice.

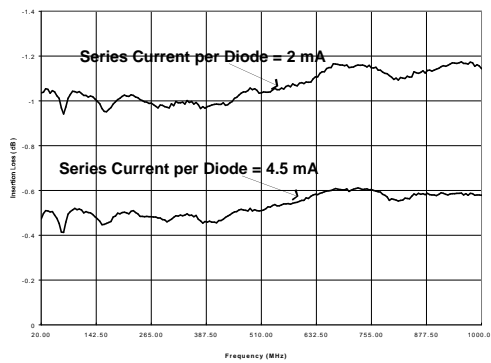
- North America: Tel. (800) 366-2266
- Asia/Pacific: Tel.+81-44-844-8296, Fax +81-44-844-8298
- Europe: Tel. +44 (1344) 869 595, Fax+44 (1344) 300 020

Visit www.macom.com for additional data sheets and product information.

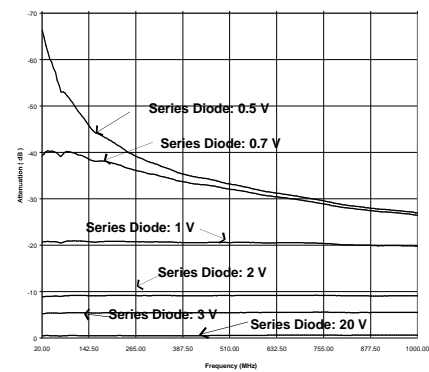
**MA4P274-1225 IP3 vs Series Voltage,
Vshunt = .075 V**



MA4P274-1225 Insertion Loss vs Frequency in 75 Ohms, Shunt Bias = 1 V



MA4P274-1225 Attenuation vs Frequency in 75 Ohms, Shunt Bias = 1 V

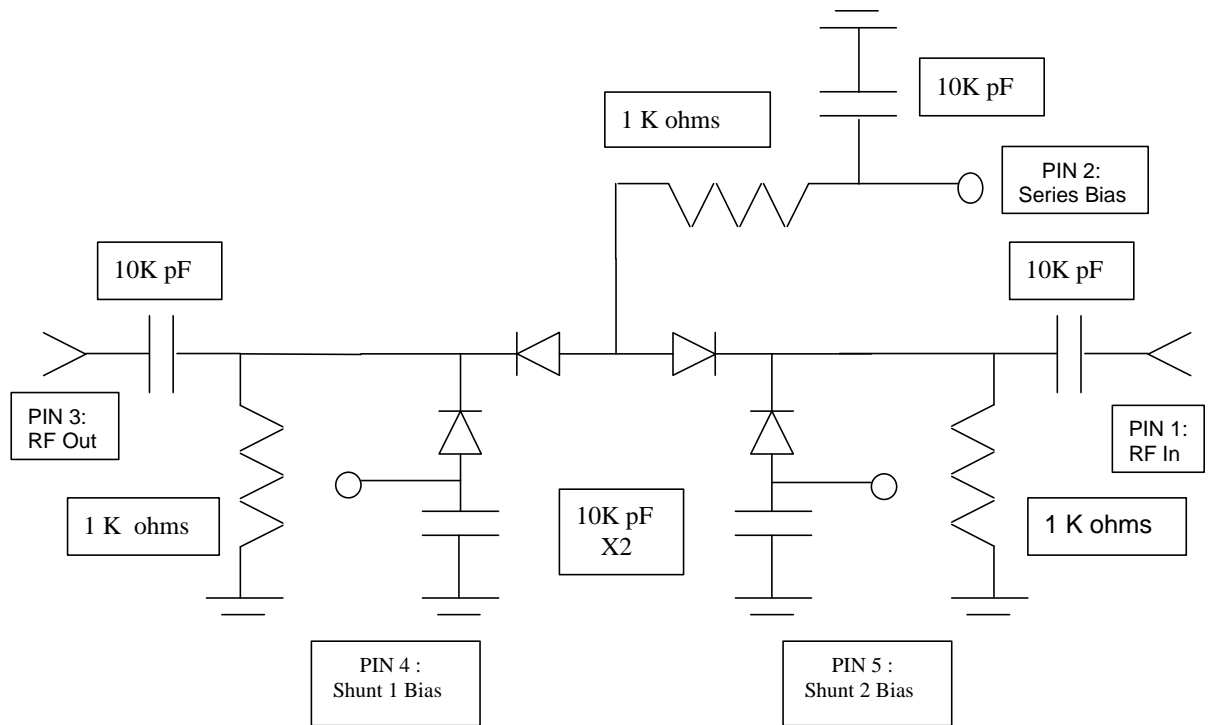


Specifications subject to change without notice.

- North America: Tel. (800) 366-2266
- Asia/Pacific: Tel.+81-44-844-8296, Fax +81-44-844-8298
- Europe: Tel. +44 (1344) 869 595, Fax+44 (1344) 300 020

Visit www.macom.com for additional data sheets and product information.

5 - 1,000 MHz Wideband RF Circuit



Note : Keeping PIN 4 & PIN 5 as Separate Bias Points (Same V) reduces RF leakage (increases attenuation) through an otherwise connected Common Anode Bias Node.

10 - 1,000 MHz Wideband RF Circuit Parts List

Item	Supplier	Supplier P/N
4003 or 4350 Circuit Board 4003 ($\epsilon_r = 3.38$), 4350 ($\epsilon_r = 3.48$)	Rogers Corporation www.rogers-corp.com	RO4003 , RO4350
Capacitor, 10 K pF 3.2 mm L x 1.6 mm W x 1.15 mm H	Murata www.murata.com	GRM42-6COH103K25PB
Resistor, 1K Ω 1.0 mm L x 0.5 mm w x 0.25 mm H	Piconics www.piconics.com	C1001BC42KSA

Specifications subject to change without notice.

- North America: Tel. (800) 366-2266
- Asia/Pacific: Tel.+81-44-844-8296, Fax +81-44-844-8298
- Europe: Tel. +44 (1344) 869 595, Fax+44 (1344) 300 020

Visit www.macom.com for additional data sheets and product information.

**Series and Shunt Diode Bias Currents as a Function of Vseries and Vshunt Voltage Using Wideband RF Circuit
(Values shown are PER DIODE)**

Vshunt Bias (V)	Vseries Bias (V)	Iseries Diode (mA)	Ishunt Diode (mA)
0.75	0	0.000	0.192
0.75	1	0.106	0.120
0.75	2	0.443	0.048
0.75	3	0.773	0
0.75	4	1.099	0
0.75	5	1.426	0
0.75	6	1.750	0
0.75	7	2.092	0
0.75	8	2.424	0
0.75	9	2.756	0
0.75	10	3.088	0
0.75	11	3.421	0
0.75	12	3.754	0
0.75	13	4.087	0
0.75	14	4.410	0
0.75	15	4.743	0
0.75	16	5.081	0
0.75	17	5.406	0
0.75	18	5.750	0
0.75	19	6.079	0
0.75	20	6.413	0

Specifications subject to change without notice.

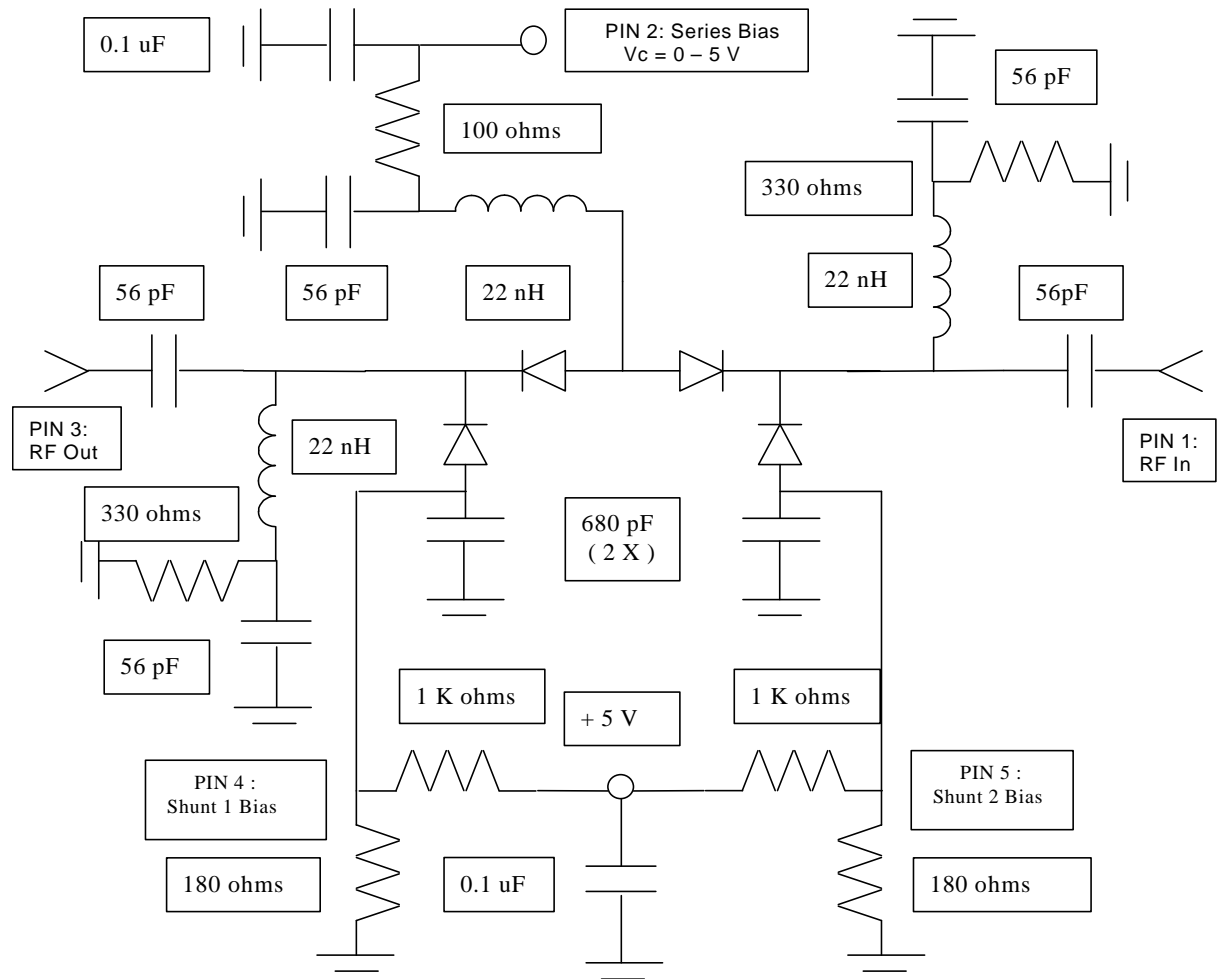
- North America: Tel. (800) 366-2266
- Asia/Pacific: Tel.+81-44-844-8296, Fax +81-44-844-8298
- Europe: Tel. +44 (1344) 869 595, Fax+44 (1344) 300 020

Visit www.macom.com for additional data sheets and product information.

tyco / Electronics

MACOM

1 – 3 GHz 50 W, Higher Frequency, Lower Tuning Voltage RF Circuit



Note : Keeping PIN 4 & PIN 5 as Separate Bias Points (Same V) reduces RF leakage through an otherwise connected Common Anode Bias Node.

Specifications subject to change without notice.

- North America: Tel. (800) 366-2266
- Asia/Pacific: Tel.+81-44-844-8296, Fax +81-44-844-8298
- Europe: Tel. +44 (1344) 869 595, Fax+44 (1344) 300 020

Visit www.macom.com for additional data sheets and product information.

1 - 3 GHz Higher Frequency RF Circuit Parts List

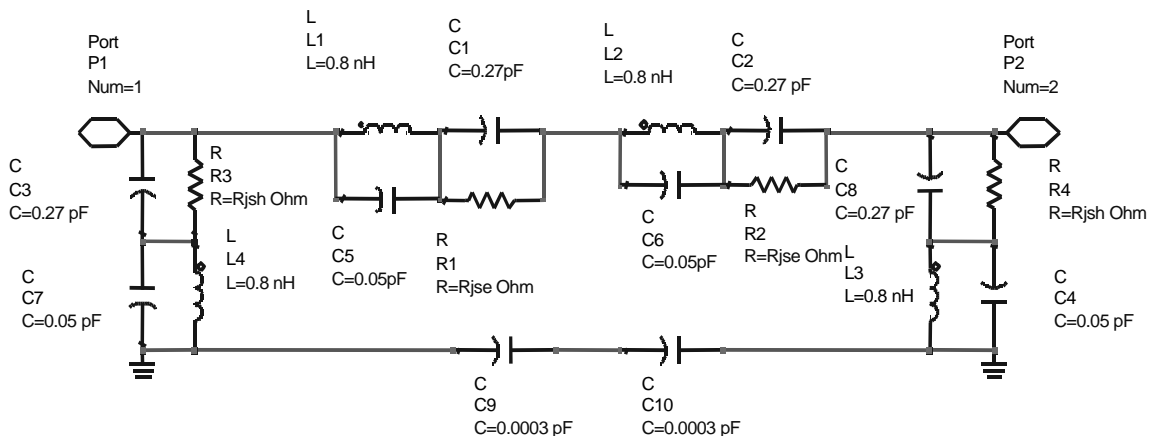
Item	Supplier	Supplier P/N
4003 or 4350 Circuit Board 4003 ($\epsilon_r = 3.38$), 4350 ($\epsilon_r = 3.48$)	Rogers Corporation www.rogers-corp.com	RO4003 , RO4350
Capacitor, .01 uF, Power Supply Filter 1.6 mm L x 0.80 mm W x .080 mm H	Murata www.murata.com	GRM39X7R104K25PB
Capacitor, 680 pF, Diode RF Bypass 2.0 mm L x 1.5 mm W x .085 mm H	Murata	GRM40COG681K50PB
Capacitor, 56 pF, D.C. Block, RF Decoupling 1.0 mm L x 0.5 mm W x 0.5 mm H	Murata	GRM36COG560K50PB
Inductor, 22 nH, RF Choke	Coilcraft www.coilcraft.com	1812SMS-22NJ
Resistor, 100 Ω 1.0 mm L x 0.5 mm w x 0.25 mm H	Piconics www.piconics.com	C1001BC42KSA
Resistor, 180 Ω 1.0 mm L x 0.5 mm w x 0.25 mm H	Piconics	C1800BC42KSA
Resistor, 330 Ω 1.0 mm L x 0.5 mm w x 0.25 mm H	Piconics	C3300BC42KSA
Resistor, 1K Ω 1.0 mm L x 0.5 mm w x 0.25 mm H	Piconics	C1001BC42KSA

Specifications subject to change without notice.

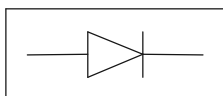
- North America: Tel. (800) 366-2266
- Asia/Pacific: Tel.+81-44-844-8296, Fax +81-44-844-8298
- Europe: Tel. +44 (1344) 869 595, Fax+44 (1344) 300 020

Visit www.macom.com for additional data sheets and product information.

Lumped Model of SOT-25, MA4P274-1225 PIN Diode μ Quad Attenuator



MA4P274-1225 SPICE MODEL



Pin Diode Model
 NLPINM2
 Is=1E-14 A
 Vi=0 V
 Un=900 cm²/V-sec
 Wi=60 um
 Rr=1.25 Ohm
 Cmin=0.20 pF
 Tau=1.0 usec
 Rs=0.1 Ohm
 Cjo=0.27 pF
 Vj=0.7 V
 M=0.5
 Fc=0.5
 Imax=2.5E+6 A/m²
 Kf=0
 Af=1
 Ffe=1
 wBV= 150 V

Ordering Information

Model Number	Package
MA4P274 -1225	Tube
MA4P274 -1225T	Tape and Reel

Specifications subject to change without notice.

- North America: Tel. (800) 366-2266
- Asia/Pacific: Tel.+81-44-844-8296, Fax +81-44-844-8298
- Europe: Tel. +44 (1344) 869 595, Fax+44 (1344) 300 020

Visit www.macom.com for additional data sheets and product information.

