

# E-Series 2-Way 0° Power Divider

## 5 - 120 MHz

**ESSM-2-9-75**

V2.00

### Features

- \* 2 Way
- \* 0 Degree
- \* Surface Mount

**SM-53**

### Specifications @ 25°C

Frequency Range	5 - 120 MHz	
Insertion Loss	Typical	Maximum
	5 - 120 MHz	0.3 dB
Isolation	Minimum	
	5 - 50 MHz	23 dB
	50 - 60 MHz	22 dB
	60 - 120 MHz	21 dB
Amplitude Unbalance	Maximum	
	5 - 120 MHz	0.5 dB
Phase Unbalance	Maximum	
	5 - 120 MHz	2°

### Operating Characteristics

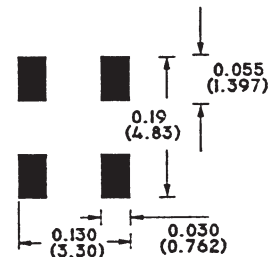
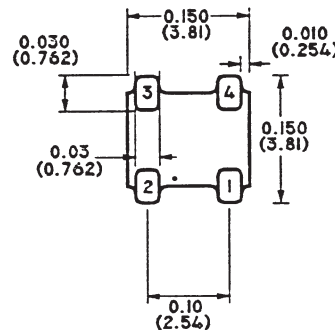
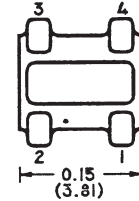
Impedance	75 Ohms Nominal
-----------	-----------------

### Absolute Maximum Ratings

Parameter	Absolute Maximum
Maximum Power Rating	1 Watt
Internal Load Dissipation	0.125 Watt
Pin Temp ( 10 sec )	260°C
Storage Temperature	-55°C to 100°C

### Additional Specifications

Input Return Loss 20dB min, Output Return Loss 20dB min



Function	Pin No.
Not Connected	-
External 75 Ohms	-
Ground	3
Case Ground	-
Input	2
Port 1	1
Port 2	4

S 1207 A

Specifications Subject to Change Without Notice.

**M/A-COM, Inc.**

North America: Tel. (800) 366-2266  
Fax (800) 618-8883

■ Asia/Pacific: Tel. +81 3 3263 8761  
Fax +81 3 3263 8769

■ Europe: Tel. +44 (1344) 869 595  
Fax +44 (1344) 300 020

**99**