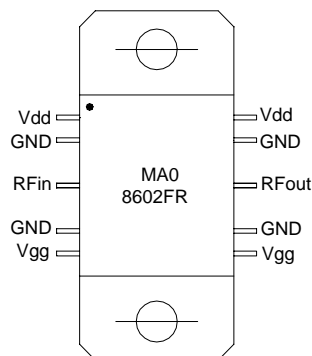


M/A-COM 1W Power Amplifier (14 - 14.5 GHz)

MA08602FR

FEATURES

- 35.5 dB Typical Small Signal Gain
- 50 Ω Input/Output Impedance
- 40 dBm Third Order Intercept Point
- Flange mount package designed for optimum electrical and thermal performance at Ku-band.
- Broadband design centered on Ku-band VSAT.
- Consistent Output Power and Gain makes fixed bias possible.



FR Package Pin Configuration

DESCRIPTION

The MA08602FR is a five stage MMIC power amplifier fabricated on M/A-COM's Self-Aligned MSAG[®] MESFET Process. This product is fully matched to 50 ohms on both the input and the output and can be used as either a driver or an output stage amplifier. Although the broadband design can be used for many applications, it is ideally suited for Ku-band VSAT.

MAXIMUM RATINGS (T_A = -40°C to +70°C unless otherwise noted)

Rating	Symbol	Value	Unit
DC Drain Supply Voltage	V _{DD}	9V	Vdc
DC Gate Supply Voltage	V _{GG}	-3V	Vdc
RF Input Power	P _{IN}	4	dBm
Junction Temperature	T _J	+150	°C
Storage Temperature	T _{STG}	-50 to +100	°C

ELECTRICAL CHARACTERISTICS V_{DD}=8.0 V, I_{DQ}=550 mA, P_{IN}=-1 dBm, T_A=-40°C to +70°C

Characteristic	Symbol	Min	Typ	Max	Unit
Frequency	<i>f</i>	14	—	14.5	GHz
Output Power, saturated	P _{SAT}	30	30.5	33	dBm
Gain, saturated	G _{SAT}	31	31.5	34	dB
Gain Flatness over band, saturated		—	+/- 0.5	+/- 1.0	dB
Input Power (P _{OUT} = 30 dBm)	P _{INJ}	—	-4	-1	dBm
Drain Current (P _{OUT} = 31 dBm)	I _{DS}	—	605	700	mA
Gate Bias Voltage (I _{DQ} =550 mA)	V _{GG}	-2.5	-1.8	-1	V
Gate Current (V _{DD} =8.0V, I _{DQ} =550mA, P _{IN} =-1dBm, V _{DG} <10.5V)	I _{GG}	—	1	20	mA
Input VSWR		—	2:1	3:1	
Harmonics	2 <i>f</i> _o	—	-25	—	dBc
Noise Figure	NF	—	7	10	dB
Third-Order Intercept Point (V _{DD} =8.0 V, I _{DQ} =550 mA, P _{IN} =-1 dBm)	IP3	—	40	—	dBm
Thermal Resistance (Junction of 3 rd stage FET to flange)	R _{TH}	—	29	—	°C/W
Small Signal Gain (Pin = -20 dBm)	S21	30.5	—	42	dB

NOTE: All typical values are at room temperature (25°C)

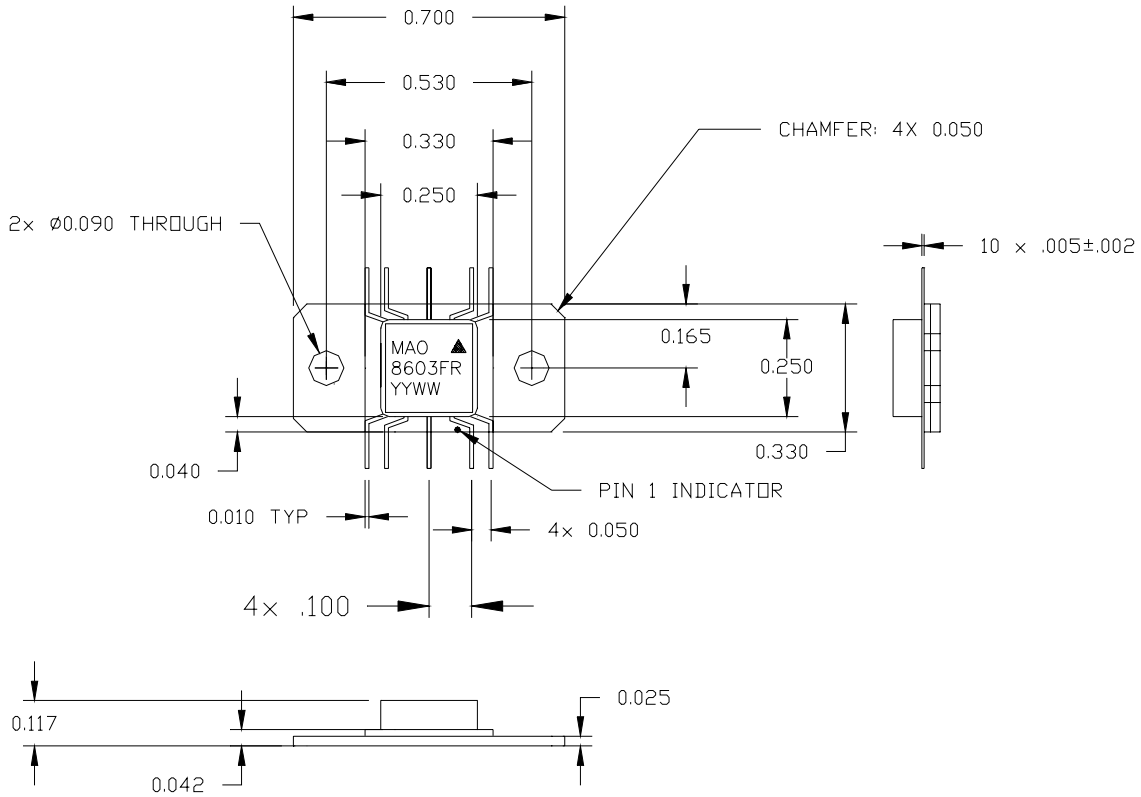
Specifications subject to change without notice.

- North America: Tel. (800)366-2266, Fax (800)618-8883
- Asia/Pacific: Tel. +81-44-844-8296, Fax +81-44-844-8298
- Europe: Tel. +44 (1344) 869 595, Fax +44 (1344) 300 020

902818 C

tyco | Electronics | M/A-COM

Visit www.macom.com for additional data sheets and product information



Specifications subject to change without notice.

902818 C

- North America: Tel. (800)366-2266, Fax (800)618-8883
- Asia/Pacific: Tel. +81-44-844-8296, Fax +81-44-844-8298
- Europe: Tel. +44 (1344) 869 595, Fax +44 (1344) 300 020



Visit www.macom.com for additional data sheets and product information