

# E-Series RF 2:1 Transformer

## 10 - 1000 MHz

**ETC2-1-4**

V3.00

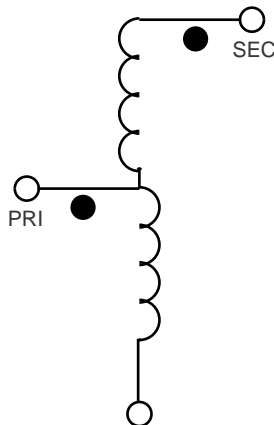
### Features

- 2:1 Impedance Ratio

### Specifications @ 25°C

Frequency Range	10 - 1000 MHz
Insertion Loss	Maximum
10 - 1000 MHz	3 dB
15 - 800 MHz	2 dB
20 - 550 MHz	1 dB
40 - 300 MHz	0.5 dB

### Schematic



### Ordering Information

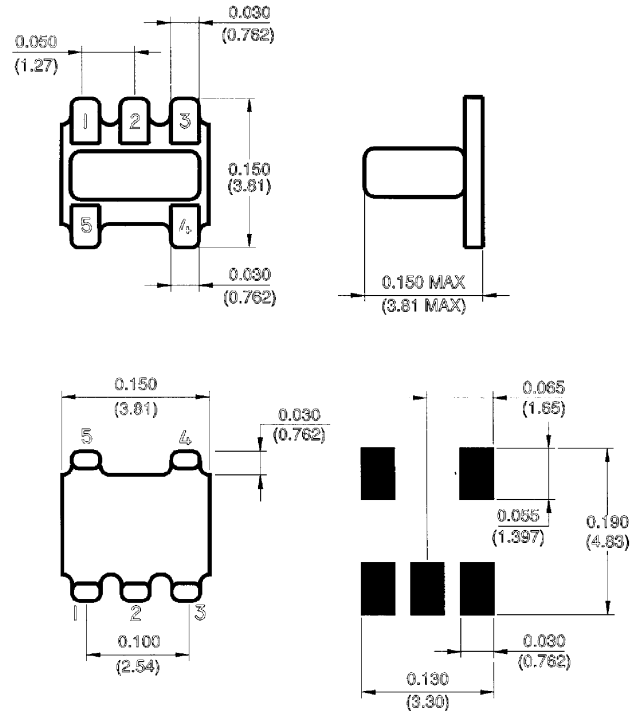
**Part No.**  
ETC2-1-4  
ETC2-1-4TR

**Packaging**  
Tubes  
Tape & Reel

### Absolute Maximum Ratings

Parameter	Absolute Maximum
RF Power	250 mW
DC Current	30 mA
Operating/Storage Temp.	-20°C to +85°C

### SM-22



Dimensions in ( ) are in mm.  
Unless Otherwise Noted: .x = ±0.04 (1.00)  
.xx = ±0.02 (0.50)  
.xxx = ±0.010 (0.250)

### Pin Configuration

Function	Pin No.
Primary dot	2
Primary	3
Secondary dot	1
Secondary	3
Not Connected	4,5

S1114 A

Specifications Subject to Change Without Notice.

**M/A-COM, Inc.**

North America: Tel. (800) 366-2266 ■ Asia/Pacific: Tel. +81 (03) 3226-1671 ■ Europe: Tel. +44 (1344) 869 595  
Fax (800) 618-8883 Fax +81 (03) 3226-1451 Fax +44 (1344) 300 020