

# E-Series RF 3:1 Transformer

## 0.2 - 250 MHz

### ETC3-1T

V3.00

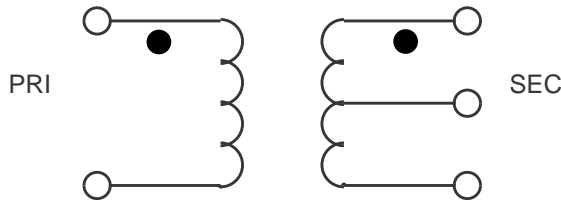
#### Features

- 3:1 Impedance Ratio
- CT on Secondary

#### Specifications @ 25°C

Frequency Range	0.2 - 250 MHz
Insertion Loss	Maximum
0.2 - 250 MHz	3 dB
0.3 - 250 MHz	2 dB
4 - 250 MHz	1 dB
Amplitude Imbalance	Maximum
0.2 - 100 MHz	0.3 dB
0.2 - 250 MHz	0.5 dB
Phase Imbalance	Maximum
0.2 - 100 MHz	2°
0.2 - 250 MHz	5°

#### Schematic



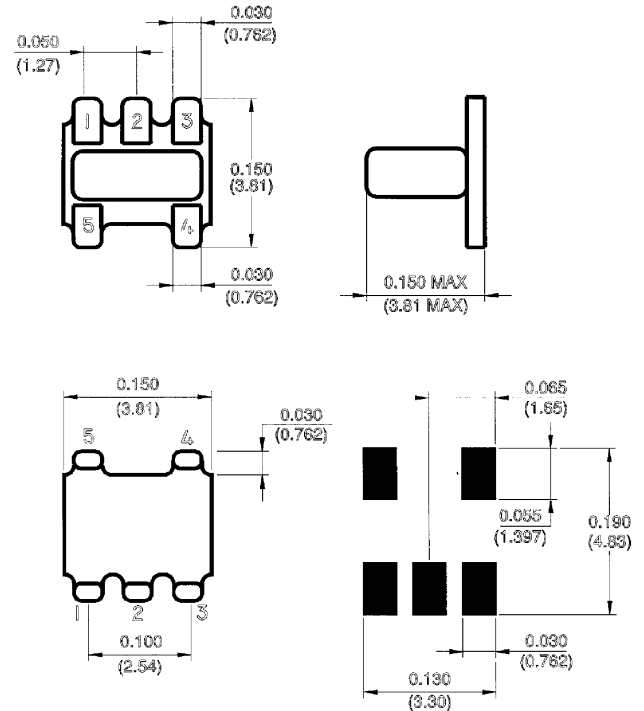
#### Ordering Information

<b>Part No.</b>	<b>Packaging</b>
ETC3-1T	Tubes
ETC3-1TTR	Tape & Reel

#### Absolute Maximum Ratings

Parameter	Absolute Maximum
RF Power	250 mW
DC Current	30 mA
Operating/Storage Temp.	-20°C to +85°C

#### SM-22



#### Pin Configuration

Function	Pin No.
Primary dot	5
Primary	4
Secondary dot	1
Secondary	3
Secondary CT	2

S 0631 E

Specifications Subject to Change Without Notice.

**M/A-COM, Inc.**

North America: Tel. (800) 366-2266 ■ Asia/Pacific: Tel. +81 (03) 3226-1671 ■ Europe: Tel. +44 (1344) 869 595  
 Fax (800) 618-8883 Fax +81 (03) 3226-1451 Fax +44 (1344) 300 020