



**Electrical Specifications (From -55°C to +85°C)**

| Parameter                    | Test Conditions | Frequency | Units | Min | Typ | Max |
|------------------------------|-----------------|-----------|-------|-----|-----|-----|
| Input Leakage Current (Low)  | -0.2 to 0V      | —         | μA    | —   | —   | 20  |
| Input Leakage Current (High) | -8.0 to -5.0V   | —         | μA    | —   | —   | 200 |

**Absolute Maximum Ratings <sup>3</sup>**

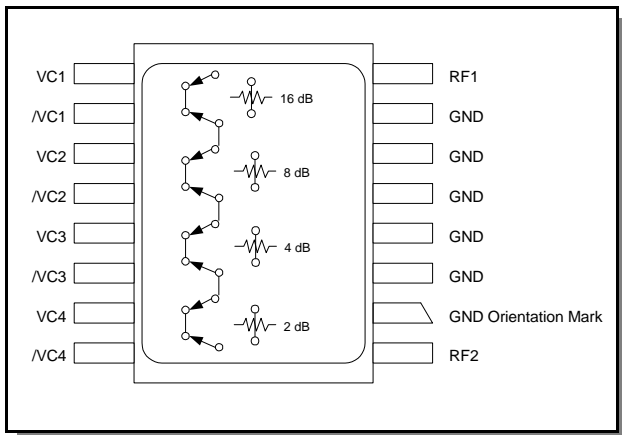
| Parameter                                    | Absolute Maximum   |
|--|--------------------|
| Max Input Power<br>0.05 GHz<br>0.5 - 2.0 GHz | +27 dBm<br>+34 dBm |
| Control Voltage                              | +0.5V, -8.5V       |
| Operating Temperature                        | -55°C to +125°C    |
| Storage Temperature                          | -65°C to +150°C    |

3. Operation of this device above any one of these parameters may cause permanent damage.

**Truth Table**

| Control Inputs |     |      |     |      |     |      |     |             |
|----------------|-----|------|-----|------|-----|------|-----|-------------|
| /VC4           | VC4 | /VC3 | VC3 | /VC2 | VC2 | /VC1 | VC1 | Atten. (dB) |
| -5V            | 0V  | -5V  | 0V  | -5V  | 0V  | -5V  | 0V  | Ref.        |
| 0V             | -5V | -5V  | 0V  | -5V  | 0V  | -5V  | 0V  | 2 dB        |
| -5V            | 0V  | 0V   | -5V | -5V  | 0V  | -5V  | 0V  | 4 dB        |
| -5V            | 0V  | -5V  | 0V  | 0V   | -5V | -5V  | 0V  | 8 dB        |
| -5V            | 0V  | -5V  | 0V  | -5V  | 0V  | 0V   | -5V | 16 dB       |
| 0V             | -5V | 0V   | -5V | 0V   | -5V | 0V   | -5V | 30 dB       |

**Functional Schematic (Top View)**



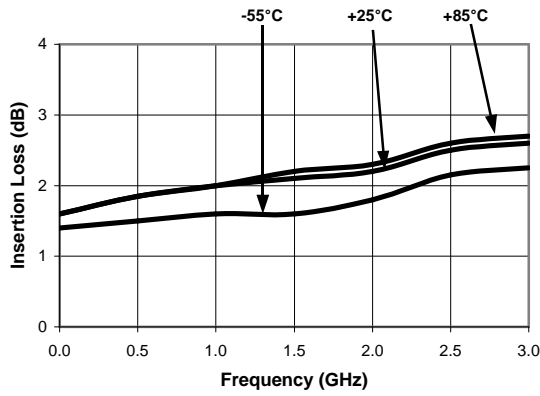
Specifications subject to change without notice.

- North America: Tel. (800) 366-2266
- Asia/Pacific: Tel.+81-44-844-8296, Fax +81-44-844-8298
- Europe: Tel. +44 (1344) 869 595, Fax+44 (1344) 300 020

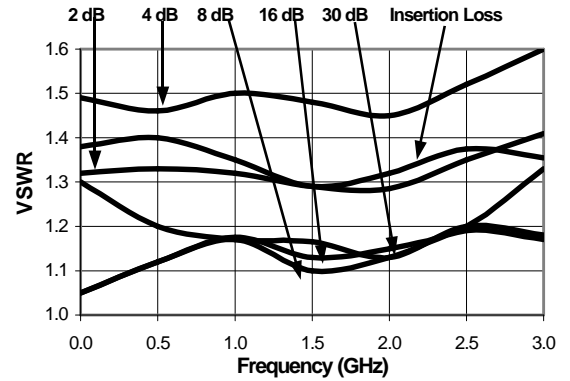
Visit [www.macom.com](http://www.macom.com) for additional data sheets and product information.

Typical Performance Curves

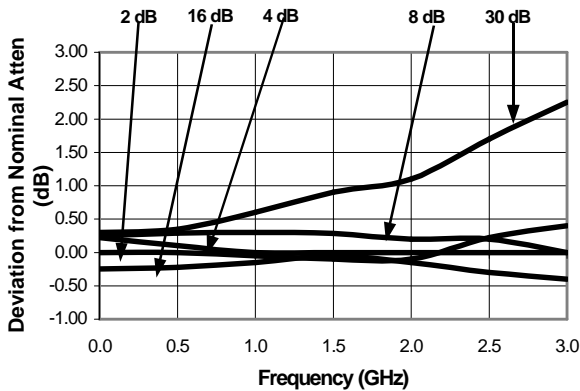
Ref. Insertion Loss vs. Frequency



VSWR vs. Frequency



Attenuation Accuracy vs. Frequency



Ordering Information

| Part Number | Package |
|-------------|---------|
| AT-232 PIN  | CR-6    |

Specifications subject to change without notice.

- North America: Tel. (800) 366-2266
- Asia/Pacific: Tel.+81-44-844-8296, Fax +81-44-844-8298
- Europe: Tel. +44 (1344) 869 595, Fax+44 (1344) 300 020

Visit [www.macom.com](http://www.macom.com) for additional data sheets and product information.