



GaAs SP4T Absorptive Switch, DC - 3 GHz

V 4.00

SW-314

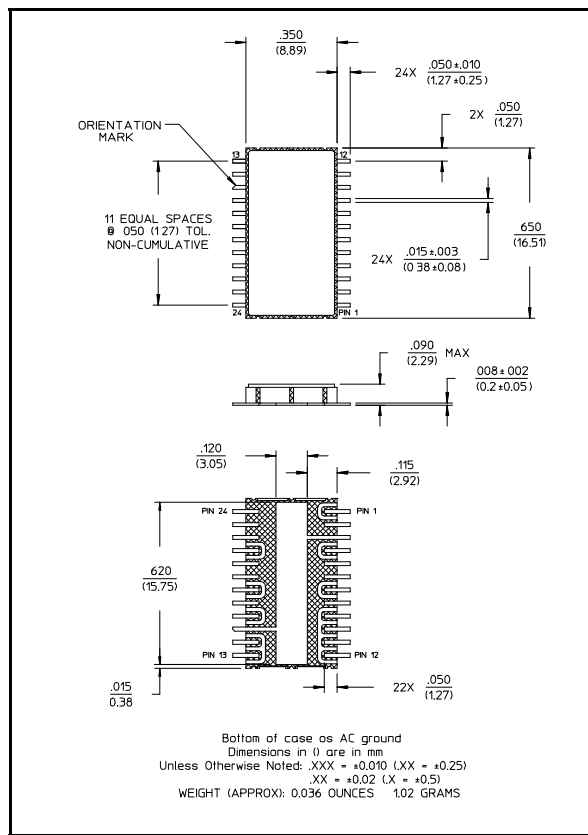
Features

- Integral TTL Driver
- Isolation: 50 dB Typ. At 1 GHz
- Ultra Low DC Power Consumption
- Hermetic Surface Mount Package
- 50 Ohms Nominal Impedance
- MIL-STD-883 Screening Available

Description

M/A-COM's SW-314 is a GaAs MMIC SP4T absorptive switch with an integral silicon ASIC driver. This device is in a 24-lead ceramic surface mount package. These switches exhibit excellent performance from DC to 3 GHz, with very low DC power dissipation. The SW-314 is ideally suited for RF/IF communications applications. Environmental screening is available. Contact the factory for information.

CR-14



Electrical Specifications^{1,2} (From -55°C to +85°C)

Parameter	Test Conditions	Frequency	Units	Min	Typ	Max
Insertion Loss	—	DC - 0.5 GHz	dB	—	—	1.3
		DC - 1.0 GHz	dB	—	—	1.4
		DC - 2.0 GHz	dB	—	—	1.6
		DC - 3.0 GHz	dB	—	—	1.8
Isolation	—	DC - 0.5 GHz	dB	50	—	—
		DC - 1.0 GHz	dB	40	—	—
		DC - 2.0 GHz	dB	35	—	—
		DC - 3.0 GHz	dB	30	—	—
VSWR	RFC, RF1 - RF4 (On)	DC - 0.5 GHz	Ratio	—	—	1.6:1
		DC - 1.0 GHz	Ratio	—	—	1.6:1
		DC - 2.0 GHz	Ratio	—	—	1.6:1
		DC - 3.0 GHz	Ratio	—	—	1.8:1
VSWR	RF1 - RF4 (Off)	DC - 0.5 GHz	Ratio	—	—	1.3:1
		DC - 1.0 GHz	Ratio	—	—	1.5:1
		DC - 2.0 GHz	Ratio	—	—	1.9:1
		DC - 3.0 GHz	Ratio	—	—	2.4:1
Trise, Tfall	10% to 90%	—	ns	—	7	—
Ton, Toff	50% Control to 90% / 10% RF	—	ns	—	25	—
Transients	In-Band (peak-peak)	—	mV	—	20	—
1 dB Compression	Input Power	0.05 GHz	dBm	—	+20	—
		0.5 GHz to 3 GHz	dBm	—	+27	—

1. All specifications apply when operated with bias voltages of +5V for Vcc and -5V for Vee.
2. When DC blocks are used, a 10K ohm return to GND is required on the RFC port.

Electrical Specifications (From -55°C to $+85^{\circ}\text{C}$)

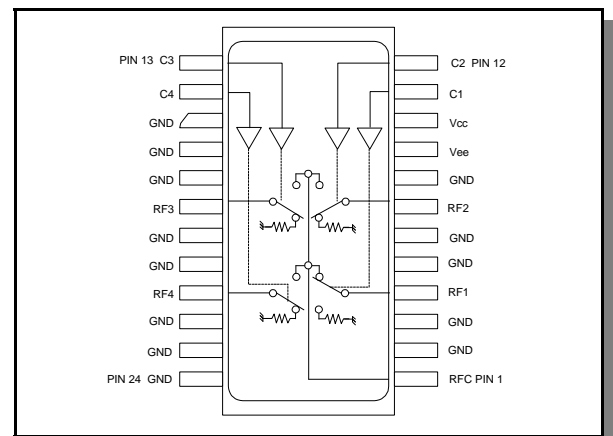
Parameter	Test Conditions	Frequency	Units	Min	Typ	Max
IP3 ²	Two-Tone Input Power up to +5 dBm	0.05 GHz 0.5 GHz to 3 GHz	dBm dBm	— —	+35 +46	— —
IP2	Two-Tone Input Power up to +5 dBm	0.05 GHz 0.5 GHz to 3 GHz	dBm dBm	— —	+45 +60	— —
Vcc	—	—	V	4.5	5.0	5.5
Vee	—	—	V	-8.0	—	-5.0
Icc	Vcc = 4.5 to 5.5 V Vctl = 0 to 0.8V, or Vcc -2.1V to Vcc	—	mA	—	0.2	4.0
Iee	Vee = -5.0V to -8.0V	—	mA	—	0.1	1.0
Vctl	Logic 0 (TTL)	—	V	0.0	—	0.8
Vctl	Logic 1 (TTL)	—	V	2.0	—	5.0
Input Leakage Current (Low)	0 to 0.8V	—	μA	—	—	1.0
Input Leakage Current (High)	2.0 to 5.0V	—	μA	—	—	1.0

Absolute Maximum Ratings^{3,4}

Parameter	Absolute Maximum
Max Input Power 0.05 GHz 0.5 - 3.0 GHz ⁴	+27 dBm +34 dBm
Bias Voltages Vcc Vee	-0.5 to +5.5V -8.5V to +0.5V
Control Voltage ⁵	-0.5V, to Vcc +0.5V
Operating Temperature	-55°C to $+125^{\circ}\text{C}$
Storage Temperature	-65°C to $+150^{\circ}\text{C}$

- Operation of this device above any one of these parameters may cause permanent damage.
- When the input power is applied to the terminated port, the absolute maximum is +30 dBm.
- Standard CMOS TTL interface, latch-up will occur if logic signal is applied prior to power supply.

Functional Schematic



Truth Table

TTL Control Inputs				Condition of Switch			
				RF Common to Each RF Port			
C1	C2	C3	C4	RF1	RF2	RF3	RF4
1	0	0	0	On	Off	Off	Off
0	1	0	0	Off	On	Off	Off
0	0	1	0	Off	Off	On	Off
0	0	0	1	Off	Off	Off	On

0 = TTL Low

1 = TTL High

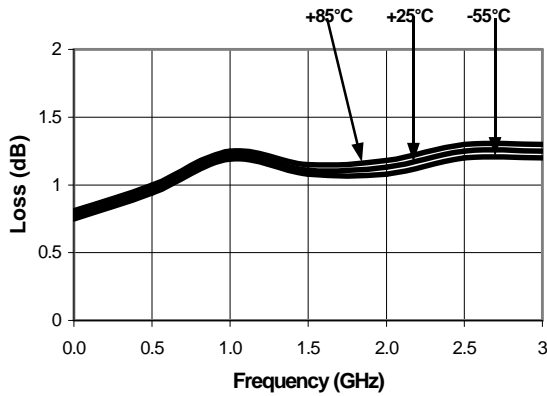
Specifications subject to change without notice.

- North America: Tel. (800) 366-2266
- Asia/Pacific: Tel. +81-44-844-8296, Fax +81-44-844-8298
- Europe: Tel. +44 (1344) 869 595, Fax +44 (1344) 300 020

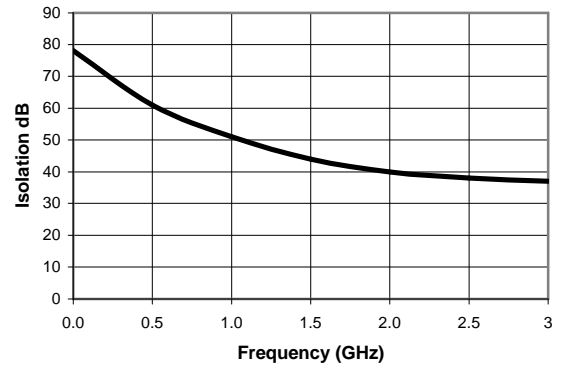
Visit www.macom.com for additional data sheets and product information.

Typical Performance Curves

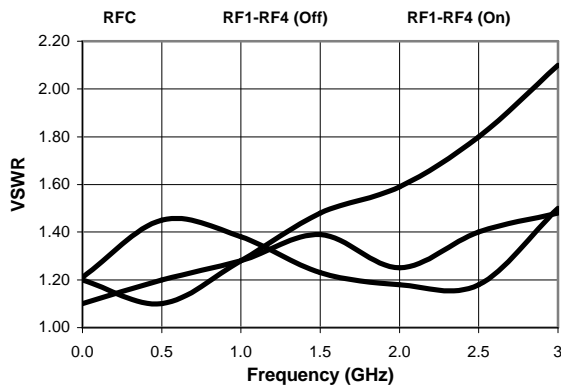
Insertion Loss vs. Frequency



Isolation vs. Frequency



VSWR vs. Frequency



Ordering Information

Part Number	Package
SW-314	CR-14

Specifications subject to change without notice.

- North America: Tel. (800) 366-2266
- Asia/Pacific: Tel.+81-44-844-8296, Fax +81-44-844-8298
- Europe: Tel. +44 (1344) 869 595, Fax+44 (1344) 300 020

Visit www.macom.com for additional data sheets and product information.