

# MAS9128A

## LDO Voltage Regulator IC

- Three low dropout voltage regulators
- Regulator enable/disable control
- Power saving sleep mode
- Thermal protection

### DESCRIPTION

The MAS9128A is voltage regulator IC with three 2.85V LDO regulators providing voltage regulation for the handset terminal. The output voltages of the three regulators can be modified through a mask option. Two enable/disable pins control the state of

the regulators. In order to save power the device goes into sleep mode when all regulators are disabled. An internal thermal protection circuit prevents the device from overheating. The maximum output current is limited internally.

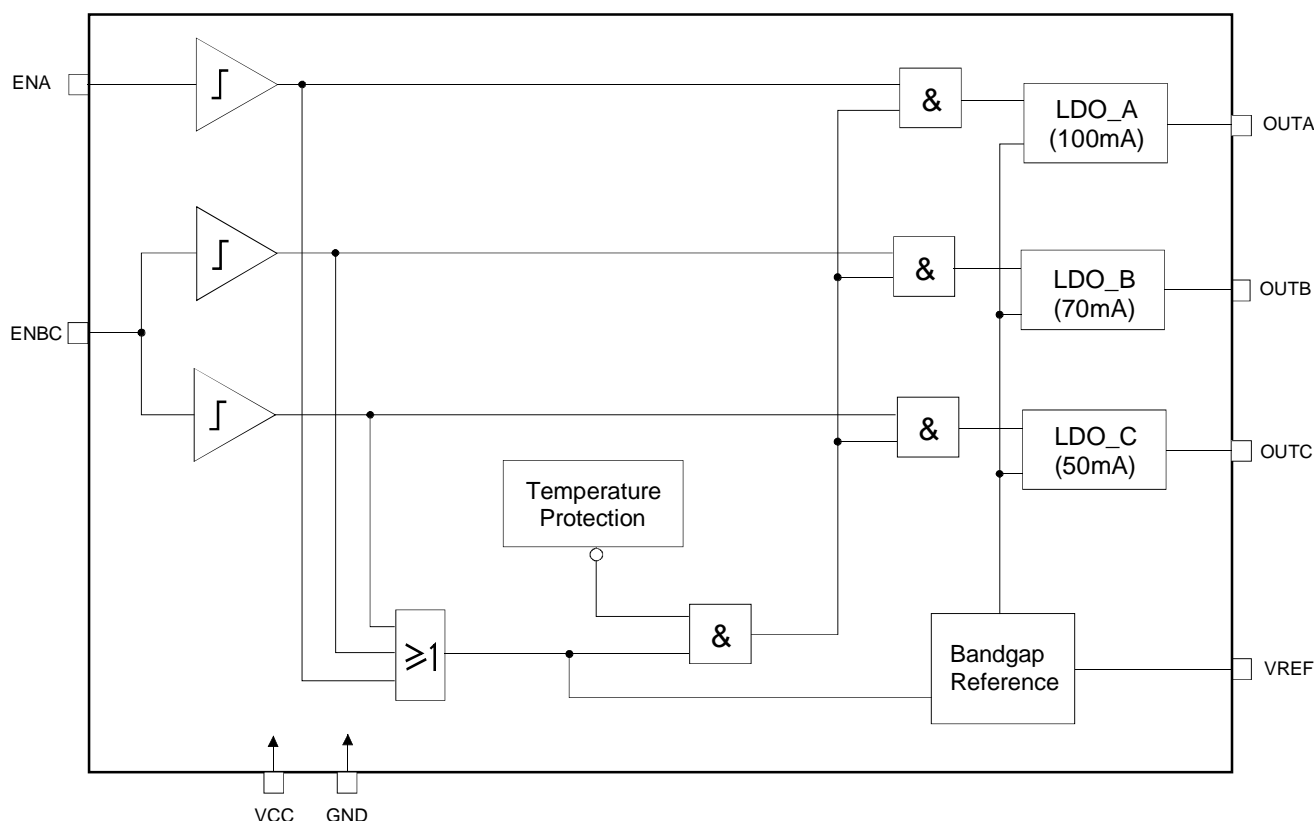
### FEATURES

- 2.85V regulators at 100mA, 70mA and 50mA
- Output accuracy  $\pm 3\%$
- Fast dynamic response
- Low output noise
- Low supply current: 150 $\mu$ A per regulator
- SO8 package

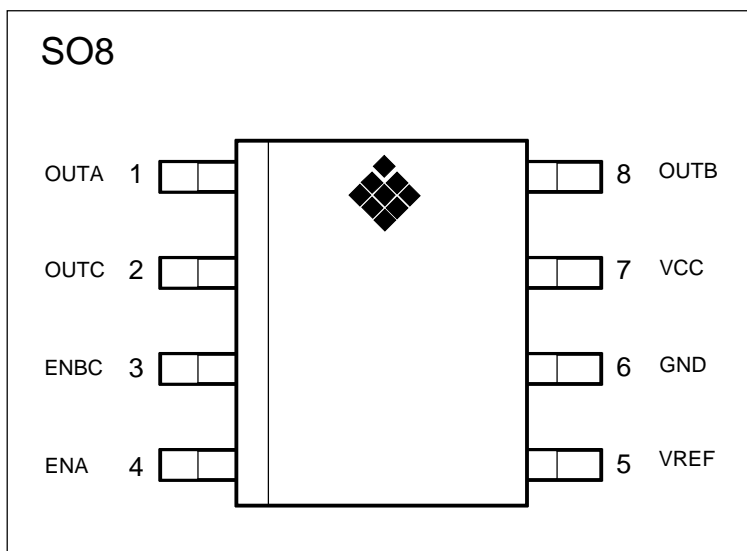
### APPLICATION

- Mobile phones
- Cordless phones
- Battery powered systems

### BLOCK DIAGRAM



## PIN CONFIGURATION



## PIN DESCRIPTION

Pin Name	Pin	Type	Function
OUTA	1	O	2.85V/100mA regulator output
OUTC	2	O	2.85V/50mA regulator output
ENBC	3	I	Enable for regulators B and C
ENA	4	I	Enable for regulator A
VREF	5	O	Reference voltage
GND	6	P	Ground
VCC	7	P	Positive supply voltage
OUTA	8	O	2.85V/70mA regulator output

## ABSOLUTE MAXIMUM RATINGS

(All voltages with respect to ground.)

Parameter	Symbol	Conditions	Min	Max	Unit
Supply Voltage	$V_{CC}$		-0.3	13.0	V
Logic input voltage	$V_{EN}$		-0.3	$V_{CC}+0.3$	
Max. Junction Temperature	$T_J$			150	$^{\circ}C$
Thermal resistance	$R_{JA}$			163	$^{\circ}C/W$
Lead temperature		for 10 seconds		230	$^{\circ}C$
Storage Temperature	$T_S$		-55	+150	$^{\circ}C$
ESD Rating					

Note 1: Stresses beyond those listed may cause permanent damage to the device. The device may not operate under these conditions, but will not be destroyed.

## RECOMMENDED OPERATION CONDITIONS

Parameter	Symbol	Conditions	Min	Typ	Max	Unit
Supply Voltage	$V_{CC}$		3.1		6.5	V
Operating Temperature	$T_{AMB}$		-20		+70	$^{\circ}C$

## ELECTRICAL CHARACTERISTICS

### ◆ Thermal protection

Parameter	Symbol	Conditions	Min	Typ	Max	Unit
Threshold high	$T_H$		130	150	170	$^{\circ}C$
Threshold low	$T_L$		120	140	160	$^{\circ}C$
Continuous power dissipation in operation		$T_{AMB} = 25^{\circ}C$			644	mW
		$T_{AMB} = 70^{\circ}C$			368	mW

NOTE 2: A hysteresis of  $10^{\circ}C$  avoids oscillation in case of thermal shutdown. After the regulator temperature has dropped by this value, it will turn on again automatically.

### ◆ Digital Inputs (ENA, ENBC)

 ( $T_{AMB} = -20^{\circ}C$  to  $+70^{\circ}C$ , unless otherwise noted. Typical value for  $T_J$  is  $27^{\circ}C$ .)

Parameter	Symbol	Conditions	Min	Typ	Max	Unit
Input high voltage	$V_{IH}$		2.2			V
Input low voltage	$V_{IL}$				0.40	V

**ELECTRICAL CHARACTERISTICS**
**◆ Regulator Outputs (LDO\_A, LDO\_B, LDO\_C)**

 (T<sub>AMB</sub> = -20°C to +70°C, unless otherwise noted. Typical value for T<sub>J</sub> is 27°C C<sub>in</sub>=1μF C<sub>out</sub>= 1μF,ceramic)

Parameter	Symbol	Conditions	Min	Typ	Max	Unit
Output voltage	V <sub>OUT</sub>	3.1V < V <sub>CC</sub> < 6.5V, 0mA < I <sub>OUT</sub> < I <sub>MAX</sub>	2.7	2.85	3.0	V
Short circuit current						
LDO_A	I <sub>MAXA</sub>			310		mA
LDO_B	I <sub>MAXB</sub>			220		mA
LDO_C	I <sub>MAXC</sub>			170		mA
Load Current						
LDO_A	I <sub>OUTA</sub>		0		100	mA
LDO_B	I <sub>OUTB</sub>		0		70	mA
LDO_C	I <sub>OUTC</sub>		0		50	mA
Line regulation		1Vpp at V <sub>CC</sub> , max. load		1.1	10	mV
Load regulation		0mA < I <sub>OUT</sub> < I <sub>MAX</sub>				
LDO_A				9	45	mV
LDO_B				6	31	mV
LDO_C				5	22	mV
Load transient		T <sub>AMB</sub> = 25°C				
		10uA to ½ load in 1us (4)		-60		mV
		100uA to max. Load in 1us (4)		-70		mV
		10uA to max. Load in 1us (5)		-85		mV
PSRR		f ≤ 10kHz, 1Vpp at V <sub>CC</sub> = 4.5V C <sub>REF</sub> = 10nF	50	60		dB
Quiescent current per regulator		(3)				
	I <sub>QR</sub>	ON, max. load		170		uA
	I <sub>QR</sub>	ON, I <sub>OUT</sub> = 100uA		150		uA
	I <sub>QR</sub>	OFF		<1		uA
Total quiescent current	I <sub>Q</sub>	ENA = ENBC = 0V I <sub>OUT</sub> = 0 V <sub>CC</sub> = 6.5V		<1	30	μA
Noise						
		10Hz < f < 100kHz typical load, no capacitor at VREF		190		uVrms
		10Hz < f < 100kHz typical load, 10nF cap. at VREF		50		uVrms
Settling time		Enables OFF to ON 2.7V < V <sub>OUT</sub> < 3.0V 10nF cap. at VREF		0.5	1.0	ms
Output capacitor						
	C <sub>OUT</sub>		0.8	1.0	2.6	uF
	ESR		0.01	0.1	1	Ohm

NOTE 3: To get the real quiescent current of the device, the quiescent current of the reference voltage generator (140uA typ.) has to be added together once for all regulators.

 NOTE 4: V<sub>OUT</sub> does not drop below 2.7V for more than 1us.

 NOTE 5: V<sub>OUT</sub> does not drop below 2.5V for more than 1us or below 2.7V for more than 50us.

## FUNCTIONS

### ◆ Supply Voltage, Voltage Regulators

The device is supplied with 3.1V to 6.5V battery voltage under normal conditions. An internal band gap voltage reference is used to generate the reference voltage for all three voltage regulators. The reference voltage is routed via an internal 20kOhm Resistor to an external pin where a filter capacitor can be connected in order to reduce the noise level of all three regulators. The startup time of the reference voltage is then determined by the value of the bypass capacitor at pin VREF.

### ◆ Enable Pins

Each regulator can be enabled/disabled by the two enable pins ENA and ENBC. Pin ENA controls regulator LDO\_A and pin ENBC controls both regulators LDO\_B and LDO\_C. If both enable pins are forced low, the internal voltage reference and

internal bias source are turned off in order to save power. A common enable for all three regulator outputs is designed, but connected to VDD internally for the SOIC8 version of MAS9128A.

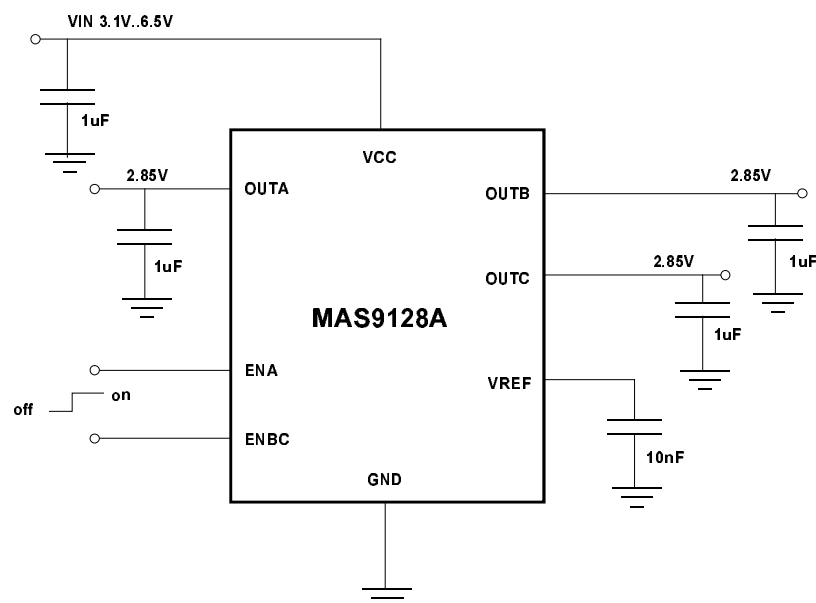
### ◆ Regulators

The device contains three 2.85V low dropout CMOS regulators with maximum output currents of 100mA, 70mA and 50mA. There is a mask option to modify the output voltage to 2.55V, 2.70V, 2.85V, 3.00V or 3.15V. The IC has thermal protection in order to prevent thermal destruction especially at high ambient temperatures. Maximum output current of each regulator is limited by an internal circuitry. The regulation loop of the regulators is optimized to work with low ESR ceramic buffer capacitors at the output.

Logic table for Enable inputs

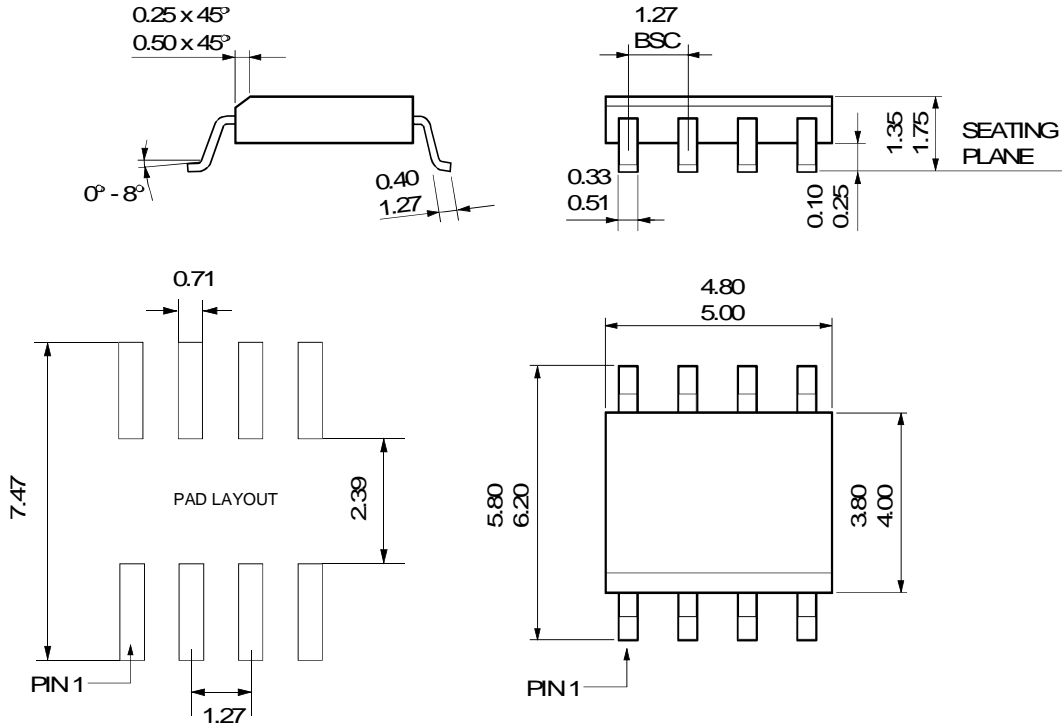
ENA	ENBC	LDO_A	LDO_B	LDO_C	VREF
1	1	ON	ON	ON	ON
1	0	ON	OFF	OFF	ON
0	1	OFF	ON	ON	ON
0	0	OFF	OFF	OFF	OFF

## APPLICATION INFORMATION



**PACKAGE OUTLINES AND RECOMMENDED LAND PATTERN**

**8 LEAD SO OUTLINE**



ALL MEASUREMENTS IN mm

---

## ORDERING INFORMATION

---

Product Code	Product	Package	Comments
MAS9128AS	LDO Voltage Regulator IC	SO8	
MAS9128AS-T	LDO Voltage Regulator IC	SO8	Tape and Reel

---

## LOCAL DISTRIBUTOR

---

---

## MICRO ANALOG SYSTEMS OY CONTACTS

---

Micro Analog Systems Oy  
Kamreerintie 2, P.O.Box 51  
FIN-02771 ESPOO, FINLAND  
<http://www.mas-oy.com>

Tel. (09) 80521  
Tel. Int. +358 9 80521  
Telefax +358 9 8053213  
E-mail: [info@mas-oy.com](mailto:info@mas-oy.com)

### NOTICE

Micro Analog Systems Oy reserves the right to make changes to the products contained in this data sheet in order to improve the design or performance and to supply the best possible products. Micro Analog Systems Oy assumes no responsibility for the use of any circuits shown in this data sheet, conveys no license under any patent or other rights unless otherwise specified in this data sheet, and makes no claim that the circuits are free from patent infringement. Applications for any devices shown in this data sheet are for illustration only and Micro Analog Systems Oy makes no claim or warranty that such applications will be suitable for the use specified without further testing or modification.