



Micro Commercial Components
 21201 Itasca Street Chatsworth
 CA 91311
 Phone: (818) 701-4933
 Fax: (818) 701-4939

MBRD520 THRU MBRD5100

Features

- Meant of Silicon Rectifier, Majority Conduction
- For surface mounted applications
- Low Forward Voltage Drop
- High Current Capability , High Efficiency
- Low Power Loss

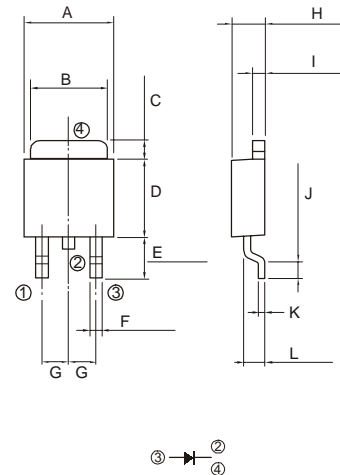
**5.0 Amp
 Schottky
 Barrier Rectifier
 20 to 100 Volts**

Maximum Ratings

- Operating Temperature: - 55°C to +125°C
- Storage Temperature: - 65°C to +150°C

MCC Catalog Number	Maximum Reccurent Peak Reverse Voltage	Maximum RMS Voltage	Maximum DC Blocking Voltage
MBRD520	20V	14V	20V
MBRD530	30V	21V	30V
MBRD540	40V	28V	40V
MBRD550	50V	35V	50V
MBRD560	60V	42V	60V
MBRD580	80V	56V	80V
MBRD5100	100V	70V	100V

DPAK



Electrical Characteristics @ 25°C Unless Otherwise Specified

Average Forward Current	$I_{F(AV)}$	5A	$T_C = 75^\circ\text{C}$
Peak Forward Surge Current	I_{FSM}	100A	8.3ms, half sine
Maximum Instantaneous Forward Voltage MBRD520-40 MBRD550-60 MBRD580-100	V_F	.55V .75V .85V	$I_{FM} = 5A;$ $T_J = 25^\circ\text{C}$
Maximum DC Reverse Current At Rated DC Blocking Voltage	I_R	0.2mA 20mA	$T_A = 25^\circ\text{C}$ $T_A = 100^\circ\text{C}$

DIM	INCHES		MM		NOTE
	MIN	MAX	MIN	MAX	
A	.248	.364	6.3	6.7	
B	.200	.216	5.1	5.5	
C	.047	.063	1.2	1.6	
D	.209	.225	5.3	5.7	
E	.090	.106	2.3	2.7	
F	.012	.032	0.3	0.8	
G	.090		2.3		
H	.082	.098	2.1	2.5	
I	.016	.024	0.4	0.6	
J	.040	---	1.0	---	
K	.020		0.5		
L	.051	.071	1.3	1.8	

*Pulse Test: Pulse Width 300µsec, Duty Cycle 2%

RATING AND CHARACTERISTIC CURVES
MBRD520 thru MBRD5100

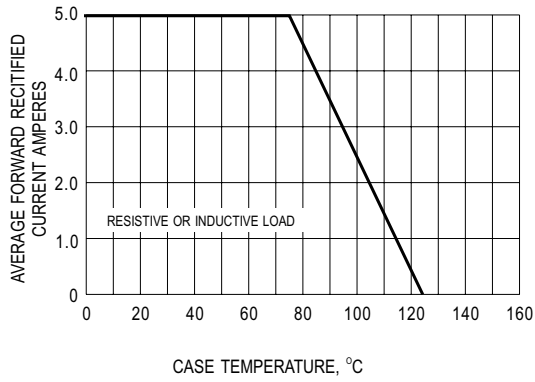


Fig.1- FORWARD CURRENT DERATING CURVE

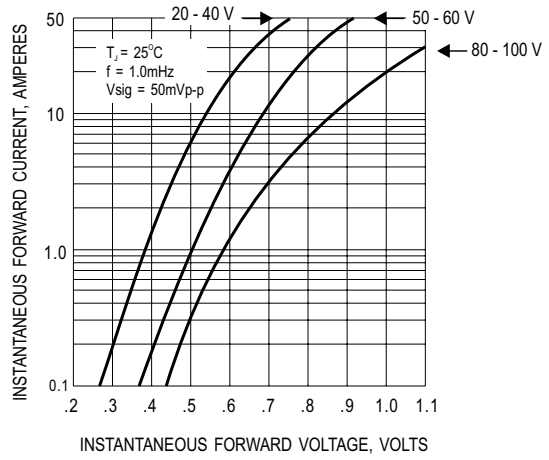


Fig.2- TYPICAL INSTANTANEOUS FORWARD CHARACTERISTIC

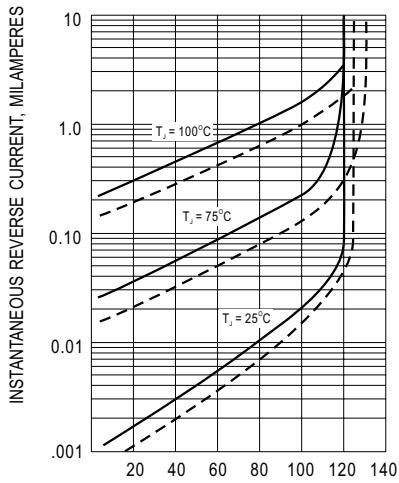


Fig.3- TYPICAL REVERSE CHARACTERISTIC

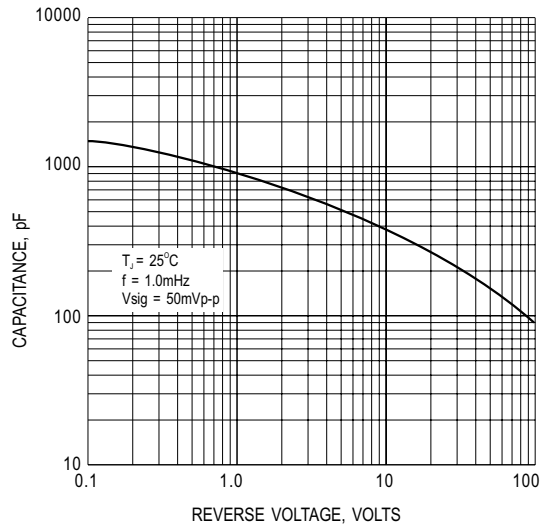


Fig.4- TYPICAL JUNCTION CAPACITANCE

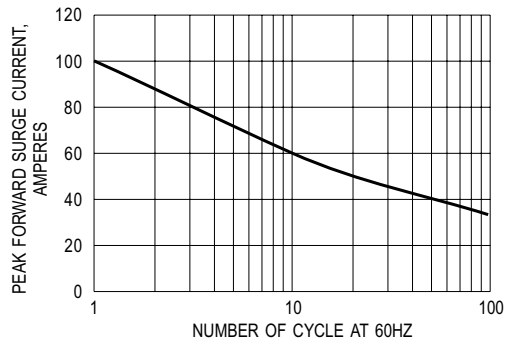


Fig.5- MAXIMUM NON-REPETITIVE PEAK FORWARD SURGE CURRENT