



MX23L12810

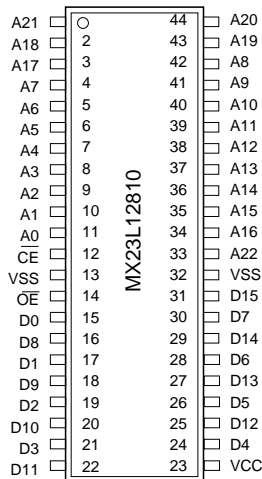
128M-BIT (8M x 16) MASK ROM
(SOP ONLY)

FEATURES

- Bit organization
 - 8M x 16 (word mode)
- Fast access time
 - Random access: 90ns (max.)
- Current
 - Operating: 50mA
 - Standby: 15uA
- Supply voltage
 - 3.0~3.6V
- Package
 - 44 pin SOP (500mil)
- Temperature
 - 0 ~ 70°C

PIN CONFIGURATION

44 SOP(For Word Mode Only)



PIN DESCRIPTION

Symbol	Pin Function
A0~A22	Address Inputs
D0~D15	Data Outputs
CE	Chip Enable Input
OE	Output Enable Input
VCC	Power Supply Pin
VSS	Ground Pin
NC	No Connection

ORDER INFORMATION

Part No.	Access Time	Package
MX23L12810MC-90	90ns	44 pin SOP
MX23L12810MC-10	100ns	44 pin SOP
MX23L12810MC-12	120ns	44 pin SOP
MX23L12810MC-13	130ns	44 pin SOP
MX23L12810MC-15	150ns	44 pin SOP



ABSOLUTE MAXIMUM RATINGS

Item	Symbol	Ratings
Voltage on any Pin Relative to VSS	VIN	-1.3V to VCC+2.0V (Note)
Ambient Operating Temperature	Topr	0°C to 70°C
Storage Temperature	Tstg	-65°C to 125°C

Note: Minimum DC voltage on input or I/O pins is -0.5V. During voltage transitions, inputs may undershoot VSS to -1.3V for periods of up to 20ns. Maximum DC voltage on input or I/O pins is VCC+0.5V. During voltage transitions, inputs may overshoot VCC to VCC+2.0V for periods of up to 20ns.

DC CHARACTERISTICS (Ta = 0°C ~ 70°C, VCC = 3.0V~3.6V)

Item	Symbol	MIN.	MAX.	Conditions
Output High Voltage	VOH	2.4V	-	IOH = -0.4mA
Output Low Voltage	VOL	-	0.4V	IOL = 1.6mA
Input High Voltage	VIH	2.2V	VCC+0.3V	
Input Low Voltage	VIL	-0.3V	0.2 x VCC	
Input Leakage Current	ILI	-	5uA	0V, VCC
Output Leakage Current	ILO	-	5uA	0V, VCC
Operating Current	ICC1	-	50mA	f=5MHz, all outputs open
Standby Current (TTL)	ISTB1	-	1mA	$\overline{CE} = VIH$
Standby Current (CMOS)	ISTB2	-	15uA	$\overline{CE} > VCC - 0.2V$
Input Capacitance	CIN	-	10pF	Ta = 25°C, f = 1MHZ
Output Capacitance	COUT	-	10pF	Ta = 25°C, f = 1MHZ

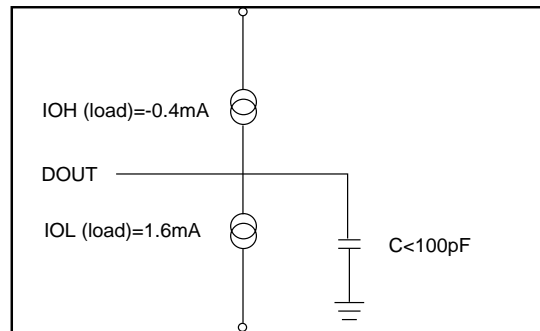
AC CHARACTERISTICS (Ta = 0°C ~ 70°C, VCC = 3.0V~3.6V)

Item	Symbol	23L12810-90		23L12810-10		23L12810-12		23L12810-13		23L12810-15	
		MIN.	MAX.	MIN.	MAX.	MIN.	MAX.	MIN.	MAX.	MIN.	MAX.
Read Cycle Time	tRC	90ns	-	100ns	-	120ns	-	130ns	-	150ns	-
Address Access Time	tAA	-	90ns	-	100ns	-	120ns	-	130ns	-	150ns
Chip Enable Access Time	tACE	-	90ns	-	100ns	-	120ns	-	130ns	-	150ns
Output Enable Time	tOE	-	25ns	-	30ns	-	50ns	-	50ns	-	70ns
Output Hold After Address	tOH	0ns	-	0ns	-	0ns	-	0ns	-	0ns	-
Output High Z Delay	tHZ	-	20ns	-	20ns	-	20ns	-	20ns	-	20ns

Note: Output high-impedance delay (tHZ) is measured from OE or CE going high, and this parameter guaranteed by design over the full voltage and temperature operating range - not tested.

AC Test Conditions

Input Pulse Levels	0.4V~2.4V
Input Rise and Fall Times	10ns
Input Timing Level	1.4V
Output Timing Level	1.4V
Output Load	See Figure



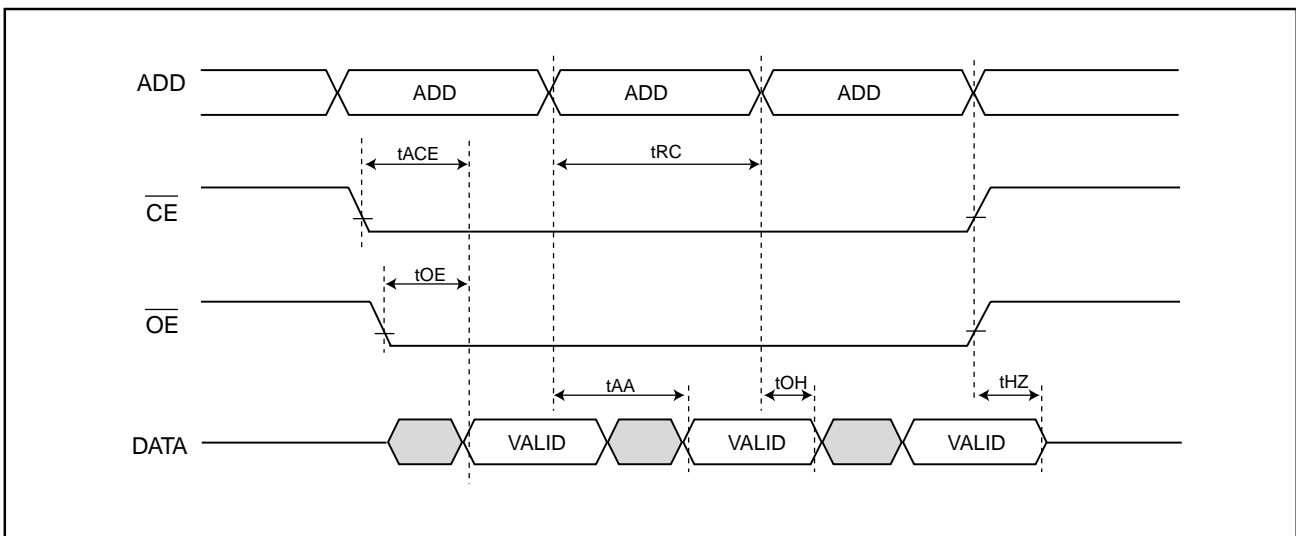
Note: No output loading is present in tester load board.

Active loading is used and under software programming control.

Output loading capacitance includes load board's and all stray capacitance.

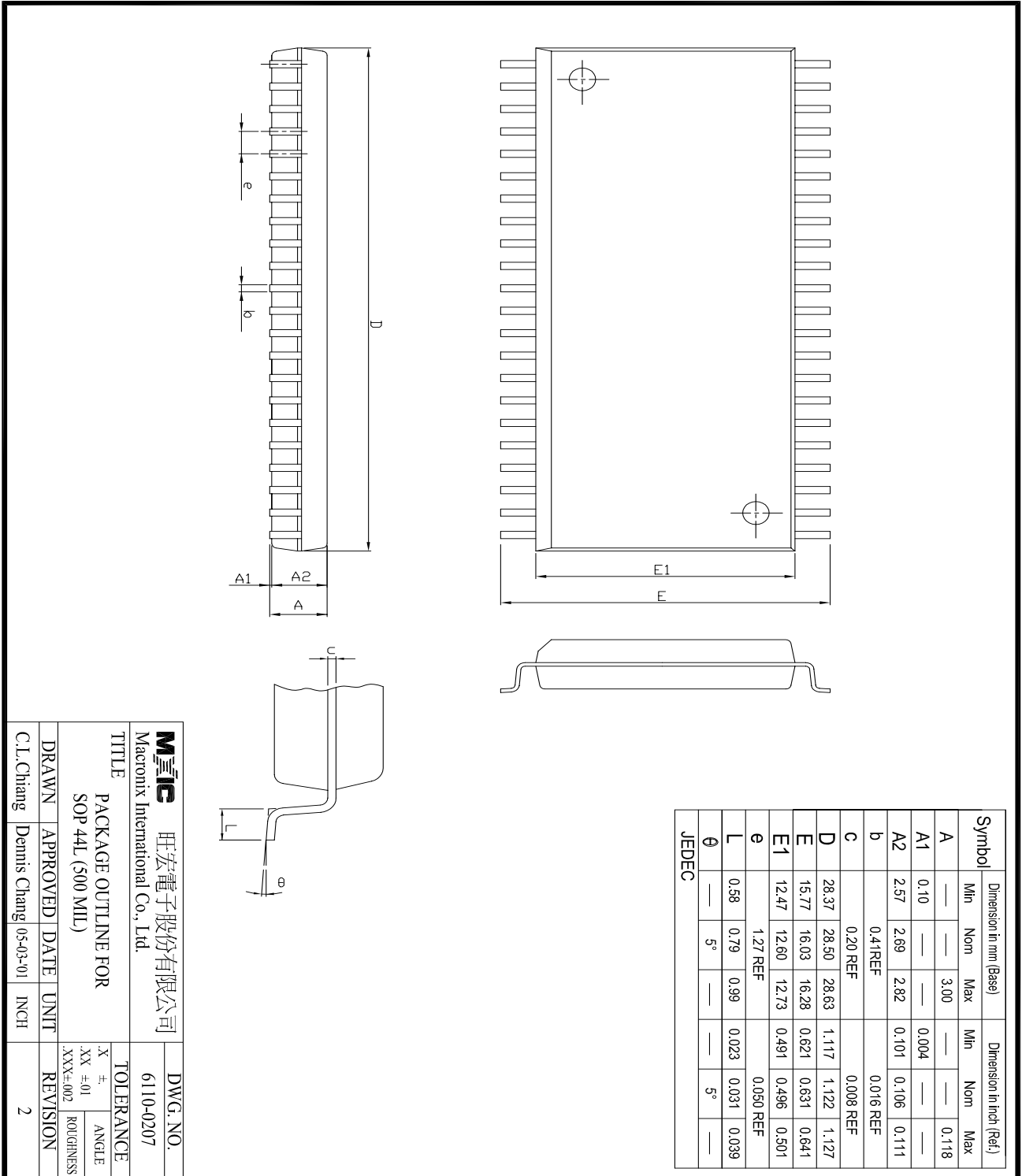
TIMING DIAGRAM

RANDOM READ



PACKAGE INFORMATION

44-PIN PLASTIC SOP



旺宏電子股份有限公司 Macronix International Co., Ltd.		DWG. NO. 6110-0207	
TITLE PACKAGE OUTLINE FOR SOP 44L (500 MIL)			
DRAWN C.L. Chiang		APPROVED Dennis Chang	
DATE 05-03-01		UNIT INCH	
REVISION 2		TOLERANCE X ± .XX ±.01 .XXX ±.002 ANGLE ROUGHNESS	



REVISION HISTORY

Revision #	Description	Page	Date
1.1	Modify Current Operating:60mA-->40mA Modify ICC1:60mA-->40mA, f=5MHz, all outputs open Del ICC2	P1 P2 P2	DEC/12/2000
1.2	Modify Current Operating:40mA-->50mA Modify ICC1:40mA-->50mA	P1 P2	DEC/14/2000
1.3	Add Access Time:90/100/120ns Add Temperature:0~70°C Modify Supply voltage:3.4V±0.2-->3.0V~3.6V	P1,2 P1 P1,2	AUG/28/2001



MX23L12810

MACRONIX INTERNATIONAL CO., LTD.

HEADQUARTERS:

TEL:+886-3-578-6688

FAX:+886-3-563-2888

EUROPE OFFICE:

TEL:+32-2-456-8020

FAX:+32-2-456-8021

JAPAN OFFICE:

TEL:+81-44-246-9100

FAX:+81-44-246-9105

SINGAPORE OFFICE:

TEL:+65-348-8385

FAX:+65-348-8096

TAIPEI OFFICE:

TEL:+886-2-2509-3300

FAX:+886-2-2509-2200

MACRONIX AMERICA, INC.

TEL:+1-408-453-8088

FAX:+1-408-453-8488

CHICAGO OFFICE:

TEL:+1-847-963-1900

FAX:+1-847-963-1909

[http : //www.macronix.com](http://www.macronix.com)