



# MX23L12811

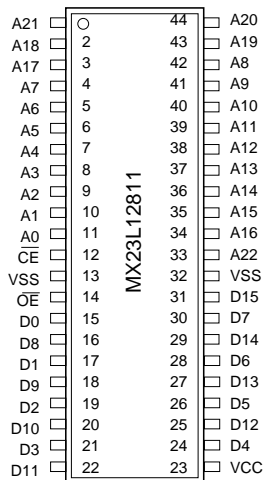
## 128M-BIT (8M x 16) MASK ROM WITH PAGE MODE (SOP ONLY)

### FEATURES

- Bit organization
  - 8M x 16 (word mode)
- Fast access time
  - Random access: 90ns (max.)
  - Page access: 25ns (max.)
- Page size
  - 8 words per page
- Current
  - Operating: 50mA
  - Standby: 15uA
- Supply voltage
  - 3.0 ~ 3.6V
- Package
  - 44 pin SOP (500mil)
- Temperature
  - 0~70°C

### PIN CONFIGURATION

44 SOP(For Word Mode Only)



### PIN DESCRIPTION

Symbol	Pin Function
A0~A22	Address Inputs
D0~D15	Data Outputs
$\overline{CE}$	Chip Enable Input
$\overline{OE}$	Output Enable Input
VCC	Power Supply Pin
VSS	Ground Pin
NC	No Connection

### ORDER INFORMATION

Part No.	Access Time	Page Time	Package	Note
MX23L12811MC-12	130ns	50ns	44 pin SOP	Voltage 3.2~3.6V
MX23L12811MC-10	100ns	30ns	44 pin SOP	
MX23L12811MC-90	90ns	25ns	44 pin SOP	



## ABSOLUTE MAXIMUM RATINGS

Item	Symbol	Ratings
Voltage on any Pin Relative to VSS	VIN	-1.3V to VCC+2.0V (Note)
Ambient Operating Temperature	Topr	0°C to 70°C
Storage Temperature	Tstg	-65°C to 125°C

Note: Minimum DC voltage on input or I/O pins is -0.5V. During voltage transitions, inputs may undershoot VSS to -1.3V for periods of up to 20ns. Maximum DC voltage on input or I/O pins is VCC+0.5V. During voltage transitions, inputs may overshoot VCC to VCC+2.0V for periods of up to 20ns.

## DC CHARACTERISTICS (Ta = 0°C ~ 70°C, VCC = 3.0~3.6V)

Item	Symbol	MIN.	MAX.	Conditions
Output High Voltage	VOH	2.4V	-	IOH = -0.4mA
Output Low Voltage	VOL	-	0.4V	IOL = 1.6mA
Input High Voltage	VIH	2.2V	VCC+0.3V	
Input Low Voltage	VIL	-0.3V	0.2 x VCC	
Input Leakage Current	ILI	-	5uA	0V, VCC
Output Leakage Current	ILO	-	5uA	0V, VCC
Operating Current	ICC1	-	50mA	f=5MHz, all outputs open
Standby Current (TTL)	ISTB1	-	1mA	CE = VIH
Standby Current (CMOS)	ISTB2	-	15uA	CE > VCC-0.2V
Input Capacitance	CIN	-	10pF	Ta = 25°C, f = 1MHZ
Output Capacitance	COUT	-	10pF	Ta = 25°C, f = 1MHZ

## AC CHARACTERISTICS (Ta = 0°C ~ 70°C, VCC = 3.0~3.6V)

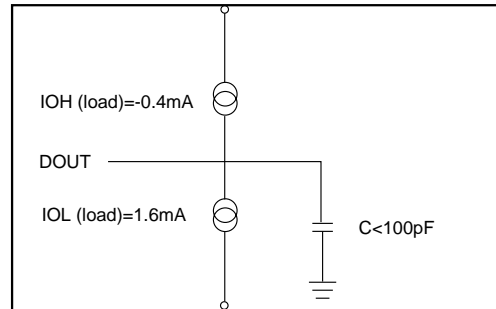
Item	Symbol	23L12811-90		23L12811-10		23L12811-12*	
		MIN.	MAX.	MIN.	MAX.	MIN.	MAX.
Read Cycle Time	tRC	90ns	-	100ns	-	130ns	-
Address Access Time	tAA	-	90ns	-	100ns	-	130ns
Chip Enable Access Time	tACE	-	90ns	-	100ns	-	130ns
Page Mode Access Time	tPA	-	25ns	-	30ns	-	50ns
Output Enable Time	tOE	-	25ns	-	30ns	-	50ns
Output Hold After Address	tOH	0ns	-	0ns	-	0ns	-
Output High Z Delay	tHZ	-	20ns	-	20ns	-	20ns

Note:

- Output high-impedance delay (tHZ) is measured from OE or CE going high, and this parameter guaranteed by design over the full voltage and temperature operating range - not tested.
- MX23L12811-12 VCC=3.2~3.6V.

## AC Test Conditions

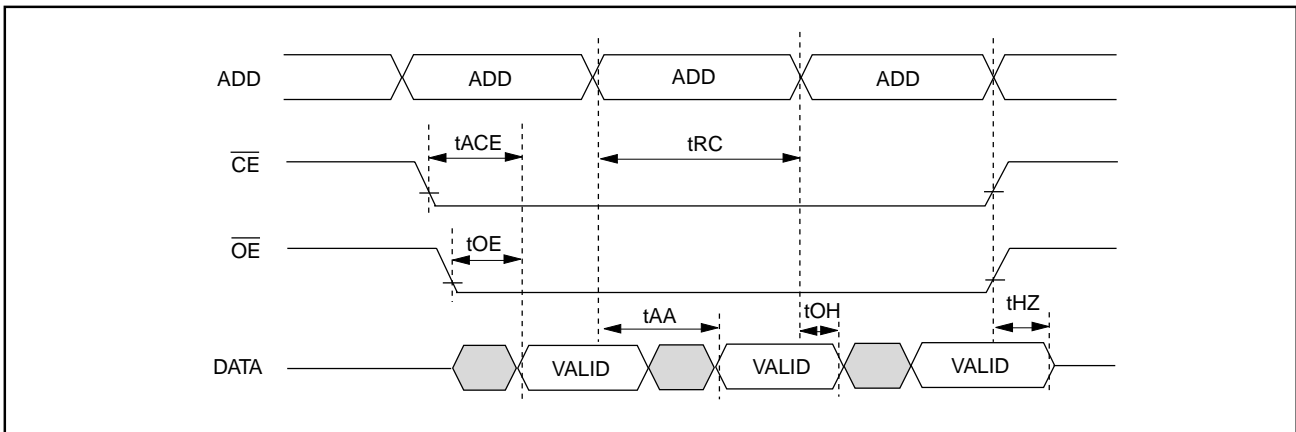
Input Pulse Levels	0.4V~2.4V
Input Rise and Fall Times	10ns
Input Timing Level	1.4V
Output Timing Level	1.4V
Output Load	See Figure



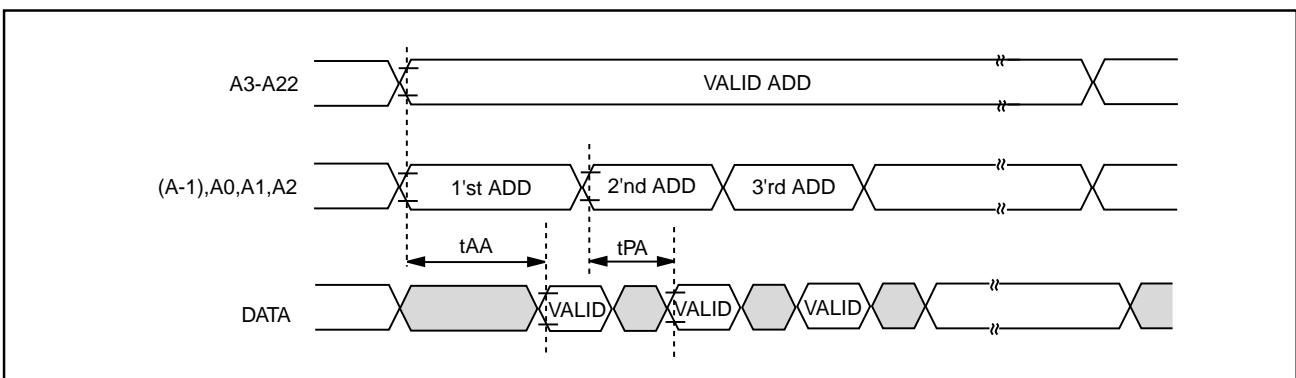
Note: No output loading is present in tester load board.  
 Active loading is used and under software programming control.  
 Output loading capacitance includes load board's and all stray capacitance.

## TIMING DIAGRAM

### RANDOM READ



### PAGE READ



## PACKAGE INFORMATION

### 44-PIN PLASTIC SOP

Symbol	Dimension in mm (Base)			Dimension in inch (Ref.)		
	Min	Nom	Max	Min	Nom	Max
A	—	—	3.00	—	—	0.118
A1	0.10	—	—	0.004	—	—
A2	2.57	2.69	2.82	0.101	0.106	0.111
b	0.41 REF			0.016 REF		
C	0.20 REF			0.008 REF		
D	28.37	28.50	28.63	1.117	1.122	1.127
E	15.77	16.03	16.28	0.621	0.631	0.641
E1	12.47	12.60	12.73	0.491	0.496	0.501
e	1.27 REF			0.050 REF		
L	0.58	0.79	0.99	0.023	0.031	0.039
Ø	—	5°	—	—	5°	—

JEDEC

<b>MIIIC</b> 旺宏電子股份有限公司 Macronix International Co., Ltd.	DWG. NO. 6110-0207
TITLE PACKAGE OUTLINE FOR SOP 44L (500 MIL)	TOLERANCE X ± .XX ±.01 ANGLE .XXX±.002 ROUGHNESS
DRAWN C.L. Chiang	REVISION 2
APPROVED Dennis Chang	DATE 05-03-01
	UNIT INCH



**REVISION HISTORY**

<b>Revision #</b>	<b>Description</b>	<b>Page</b>	<b>Date</b>
1.1	Add Order Information	P1	JUL/27/2000
1.2	Modify Order Information/AC Characteristics MX23L12811MC-12-->13	P1,2	SEP/07/2000
1.3	Add Order Information--MX23L12811MC-12	P1,2	SEP/21/2000
1.4	Delete Order Information--MX23L12811MC-13	P1,2	OCT/03/2000
1.5	Modify Current Operating:60mA-->40mA	P1	DEC/12/2000
	Modify ICC1:60mA-->40mA, f=5MHz, all outputs open	P2	
	Delete ICC2	P2	
1.6	Modify Current Operating:40mA-->50mA	P1	DEC/14/2000
	Modify ICC1:40mA-->50mA	P2	
1.7	Add 90ns access time	P1,2	AUG/22/2001
	Change Supply voltage:3.4V±0.2-->3.0~3.6V	P1,2	
	Add Temperature:0~70°C	P1	
	Change Input Pulse Levels:0.3V~3.0V-->0.4V~2.4V	P3	
1.8	Add 100ns access time	P1,2	AUG/28/2001
1.9	Modify MX23L12811MC-12 speed-->130ns; Supply voltage-->3.2~3.6V	P1,2	SEP/19/2001



**MX23L12811**

---

---

**MACRONIX INTERNATIONAL CO., LTD.**

**HEADQUARTERS:**

TEL:+886-3-578-6688

FAX:+886-3-563-2888

**EUROPE OFFICE:**

TEL:+32-2-456-8020

FAX:+32-2-456-8021

**JAPAN OFFICE:**

TEL:+81-44-246-9100

FAX:+81-44-246-9105

**SINGAPORE OFFICE:**

TEL:+65-348-8385

FAX:+65-348-8096

**TAIPEI OFFICE:**

TEL:+886-2-2509-3300

FAX:+886-2-2509-2200

**MACRONIX AMERICA, INC.**

TEL:+1-408-453-8088

FAX:+1-408-453-8488

**CHICAGO OFFICE:**

TEL:+1-847-963-1900

FAX:+1-847-963-1909

**[http : //www.macronix.com](http://www.macronix.com)**