

# MICRO

ELECTRONICS

L72CB/1G1YDA  
L72CB/1G1YDA-L  
L72CB/1G1YDA-2L

RIGHT ANGLE  
LED LAMPS

## FEATURES

Ideal for card edge status indication  
Option for different color LED  
Package allows flush seating on a PCB boards

## DESCRIPTION

L72CB/1G1YDA series are right angle dual LED unit that incorporates two different color tinted diffused T-1 3/4 LED lamp in a black plastic housing. The green LED lamp is located at left hand side and yellow at the right.

## OPTIONS

LED lamp are available in standard red, high efficiency red, GaAlAs ultra-bright red, yellow or green.

ABSOLUTE MAXIMUM RATINGS	GREEN	YELLOW	UNIT
Power Dissipation @ Ta=25°C	90	60	mW
Forward Current, DC (IF)	30	20	mA
Reverse Voltage	5	5	V
Operating & Storage Temperature Range	-55 to +85		°C
Lead Soldering Temperature (1/16" from body, 5 seconds)	260		°C

## ELECTRO-OPTICAL CHARACTERISTICS (Ta=25°C)

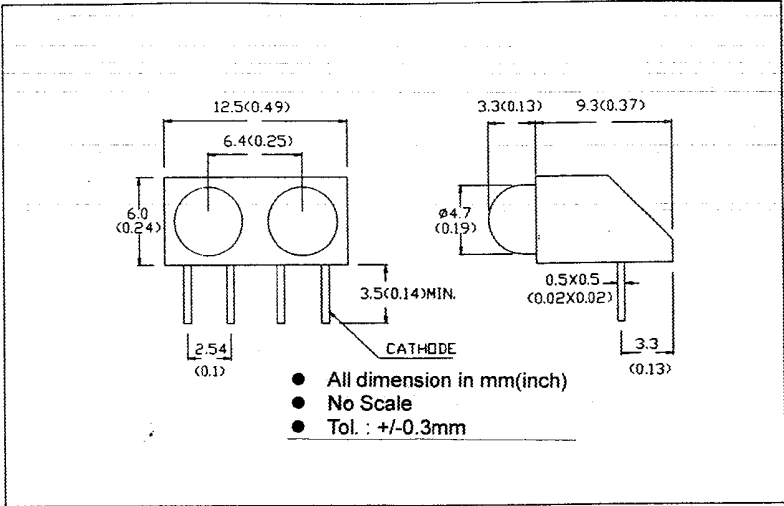
PARAMETER	SYMBOL	GREEN	YELLOW	UNIT	CONDITIONS
Forward Voltage	MAX V <sub>F</sub>	3.0	3.0	V	I <sub>F</sub> =20mA
Reverse Breakdown Voltage	MIN BV <sub>R</sub>	5	5	V	I <sub>R</sub> =100μA
Luminous Intensity	MIN I <sub>v</sub>	7.0	4.0	mcd	I <sub>F</sub> =20mA
	TYP	10	6.0	mcd	I <sub>F</sub> =20mA
Peak Wavelength	TYP λ <sub>p</sub>	570	585	nm	I <sub>F</sub> =20mA
Spectral Line Half Width	TYP Δλ	30	35	nm	I <sub>F</sub> =20mA



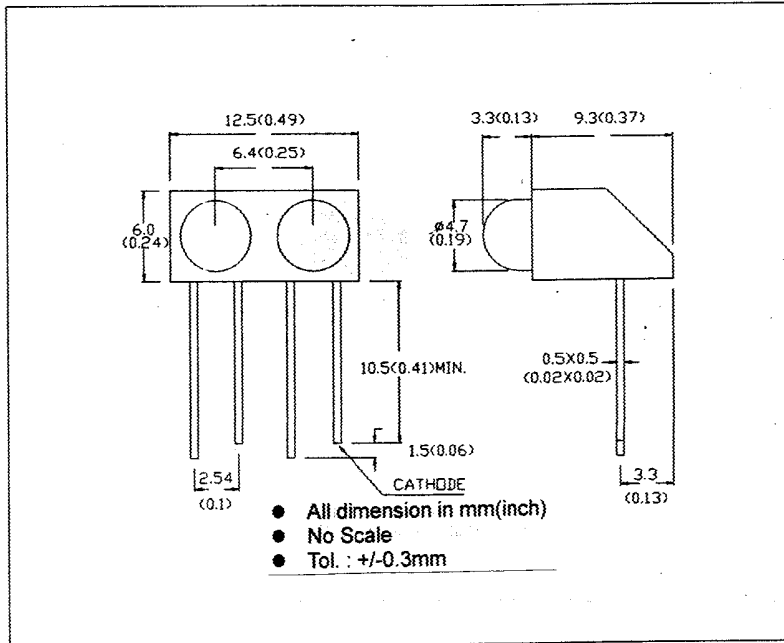
MICRO ELECTRONICS LTD.

38, Hung To Road, Microtron Building, Kwun Tong, Kowloon, Hong Kong.  
Kwun Tong P.O. Box 69477 Hong Kong. Fax No. 2341 0321 Telex:43510 Micro Hx. Tel: 2343 0181-5

L72CB/1G1YDA



L72CB/1G1YDA-L



L72CB/1G1YDA-2L

