

MICRO ELECTRONICS

L72CB/1XXA
L72CB/1XXA-L
L72CB/1XXA-2L
SERIES
RIGHT ANGLE
LED LAMPS

FEATURES

Ideal for card edge status indication
Option for different color LED
Package allows flush seating on a PCB boards

DESCRIPTION

L72CB/1XXA series are right angle LED lamp that incorporates one tinted standard diffused Ø4.7mm high efficiency LED lamp in a black plastic housing.

OPTIONS

PART NO. L72CB/	LED LENS COLOR		SOURCE COLOR
	Color	Diffusion	
1STA	Red	Transparent	GaAlAs Red
1YTA	Yellow	Diffused	Yellow
1YDA	Yellow	Diffused	Yellow
1GDA	Green	Diffused	Green
1IDA	Orange	Diffused	High Eff. Red

ABSOLUTE MAXIMUM RATINGS

	1STA	1YTA	1YDA	1GDA	1IDA	
Power Dissipation @ Ta=25°C	95	60	60	100	100	mW
Forward Current, DC (IF)	40	20	20	30	30	mA
Reverse Voltage	5	5	5	5	5	V
Operating & Storage Temperature Range					-25 to +85	°C
Lead Soldering Temperature (1/16" from body, 5 seconds)					260	°C

ELECTRO-OPTICAL CHARACTERISTICS (Ta=25°C)

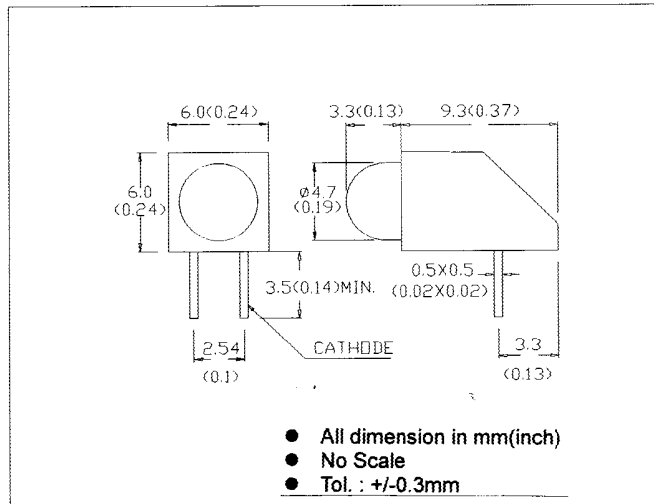
PARAMETER		SYMBOL	1STA	1YTA	1YDA	1GDA	1IDA	UNIT	CONDITIONS
Forward Voltage	MAX	V _F	2.4	3.0	3.0	3.0	3.0	V	I _F =20mA
Reverse Breakdown Voltage	MIN	BV _R	5	5	5	5	5	V	I _R =100µA
Luminous Intensity	MIN	I _V	40	25	4.0	7.0	6.0	mcd	I _F =20mA
	TYP		55	40	6.0	10	8.0	mcd	I _F =20mA
Peak Wavelength	TYP	λ _p	660	585	585	570	630	nm	I _F =20mA
Spectral Line Half Width	TYP	Δλ	20	35	35	30	35	nm	I _F =20mA



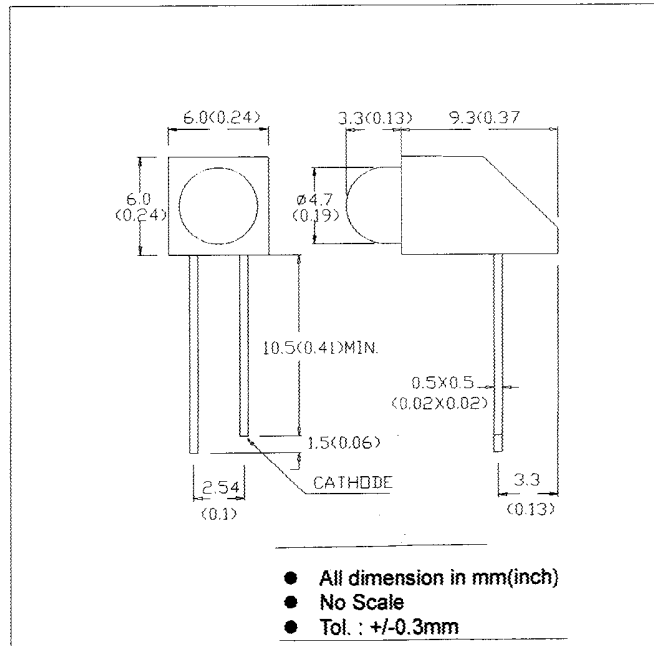
MICRO ELECTRONICS LTD.
38, Hung To Road, Microtron Building, Kwun Tong, Kowloon, Hong Kong.
Kwun Tong P.O. Box 69477 Hong Kong. Fax No. 2341 0321 Telex: 43510 Micro Hk. Tel: 2343 0181-5

MECHANICAL OUTLINE

L72CB/1XXA



L72CB/1XXA-L



L72CB/1XXA-2L

