

# MICRO ELECTRONICS

L72CB/  
1GTB

RIGHT ANGLE  
GREEN COLOR  
LED LAMPS

## FEATURES

Ideal for card edge status indication  
Package allows flush seating on a PCB boards

## DESCRIPTION

L72CB/1GTB is a right angle LED lamp that incorporates one clear transparent 4.8mm diameter high efficiency green color LED lamp in a black plastic housing.

## ABSOLUTE MAXIMUM RATINGS

Power Dissipation @ Ta=25°C	90mW
Forward Current, DC (IF)	30mA
Reverse Voltage	5V
Operating & Storage Temperature Range	-25 to +85°C
Lead Soldering Temperature (1/16" from body)	260°C for 5 sec.

## ELECTRO-OPTICAL CHARACTERISTICS (Ta=25°C)

PARAMETER	SYMBOL	1GTB	1GTB-L	1GTB-2L	UNIT	CONDITIONS
Forward Voltage	MAX V <sub>F</sub>	3.0	3.0	3.0	V	I <sub>F</sub> =20mA
Reverse Breakdown Voltage	MIN BV <sub>R</sub>	5	5	5	V	I <sub>R</sub> =100μA
Luminous Intensity	MIN I <sub>V</sub>	80	80	180	mcd	I <sub>F</sub> =20mA
	TYP	150	150	350	mcd	I <sub>F</sub> =20mA
Peak Wavelength	TYP λ <sub>p</sub>	570	570	570	nm	I <sub>F</sub> =20mA
Spectral Line Half Width	TYP Δλ	30	30	30	nm	I <sub>F</sub> =20mA

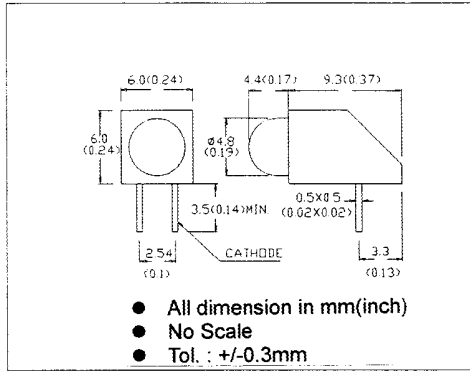


MICRO ELECTRONICS LTD.

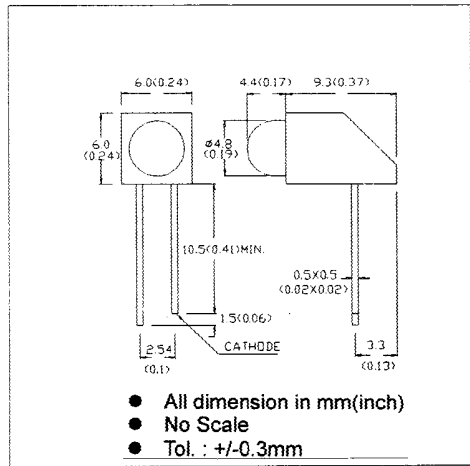
38, Hung To Road, Microtron Building, Kwun Tong, Kowloon, Hong Kong.

Kwun Tong P.O. Box 69477 Hong Kong. Fax No. 2341 0321 Telex:43510 Micro Hx. Tel: 2343 0181-5

L72LB/1GTB



L72CB/1GTB-L



L72CB/1GTB-2L

